

STEREO INTEGRATED AMPLIFIER/TUNER C-V500/V550/V700/V750/V770 SERVICE MANUAL

KENWOOD

C-V500/V550/V700/V750/V770

CONTENTS / ACCESSORIES

© 1997-7 /B51-5330-00 (K/K) 3676

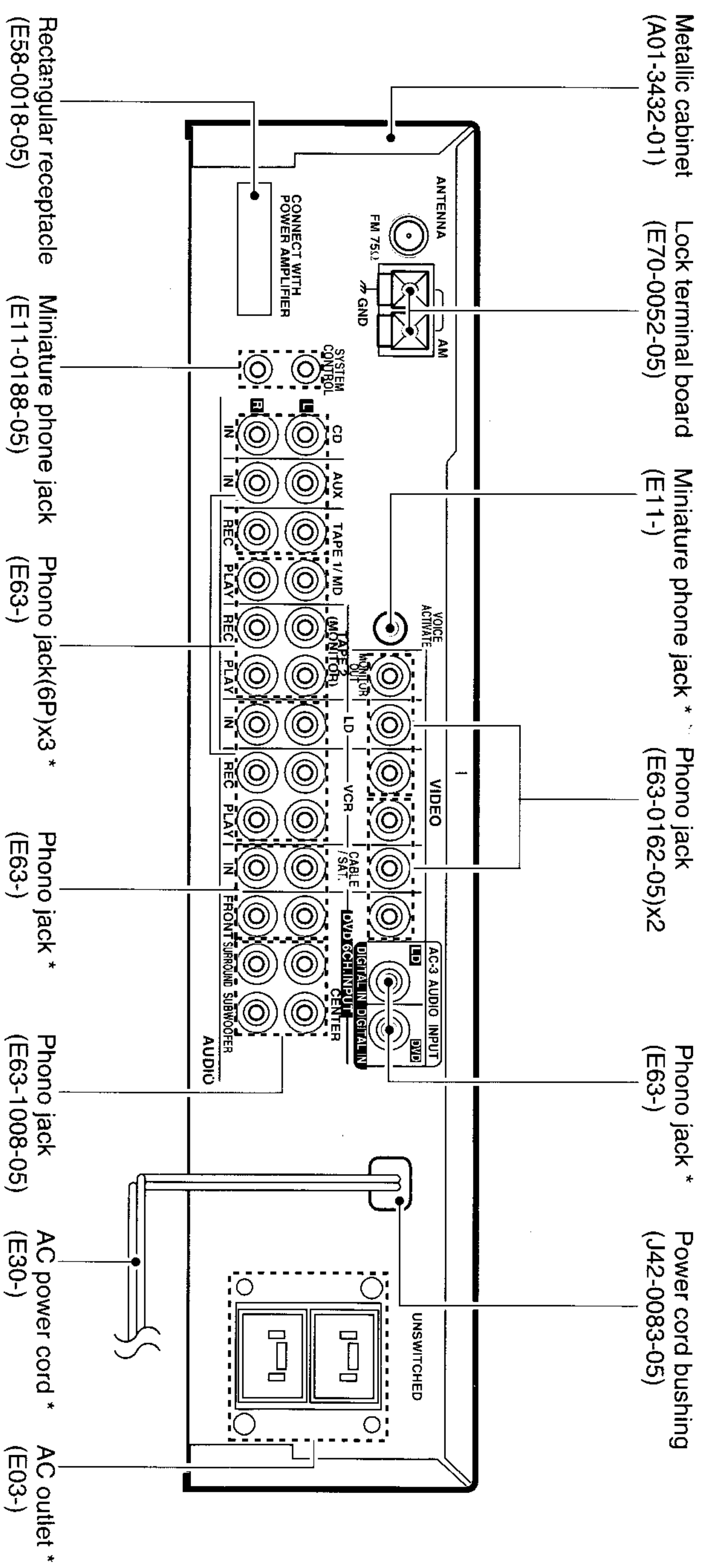
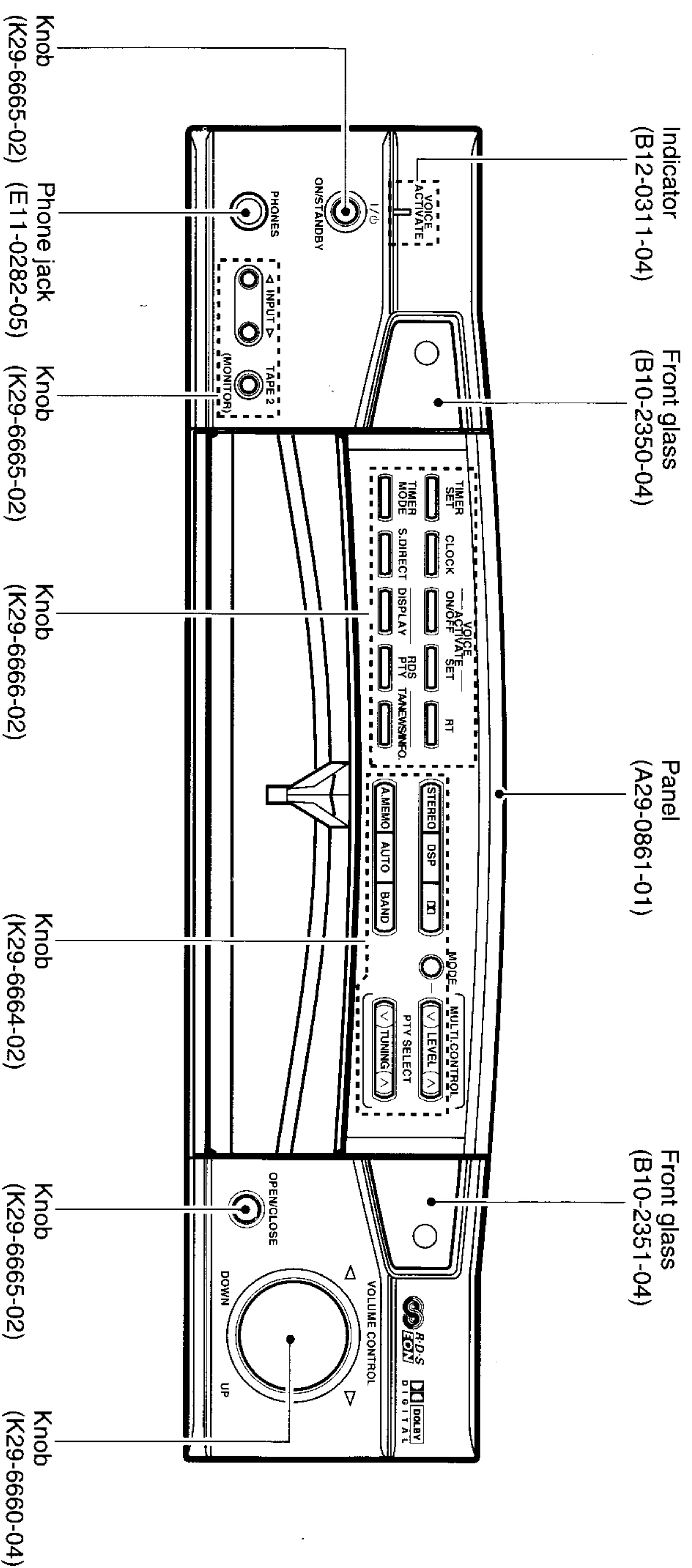


Illustration is C-V750.

* Refer to parts list on page 40.

Caution : No connection of ground line if disassemble the unit.
Please connect the ground line on rear panel, PCBs, Chassis and some others.

Contents	
CONTENTS / ACCESSORIES	2
DISASSEMBLY FOR REPAIR	3
ADJUSTMENT	4
PARTS DESCRIPTIONS	5
PC BOARD	6
SCHEMATIC DIAGRAM	13
EXPLODED VIEW	39
PARTS LIST	40
SPECIFICATIONS	Back cover

How to reset the microcomputer

The microcomputer may malfunction (impossibility operation, erroneous display, etc.) when the power cord is unplugged and plugged in again while the unit is in ON mode with the Key pressed or due to other external causes. In this case, execute the procedure on the right to reset the microcomputer and return the unit to the normal condition.

- ① Unplug the power cord from the wall outlet.
 - ② While pressing and holding the POWER or (ON/STANDBY) key, plug the AC cord into the wall outlet again.
- *Resetting the microcomputer clears the memory you entered and returns it to the initial condition when the unit left the factory.

Model vs destination

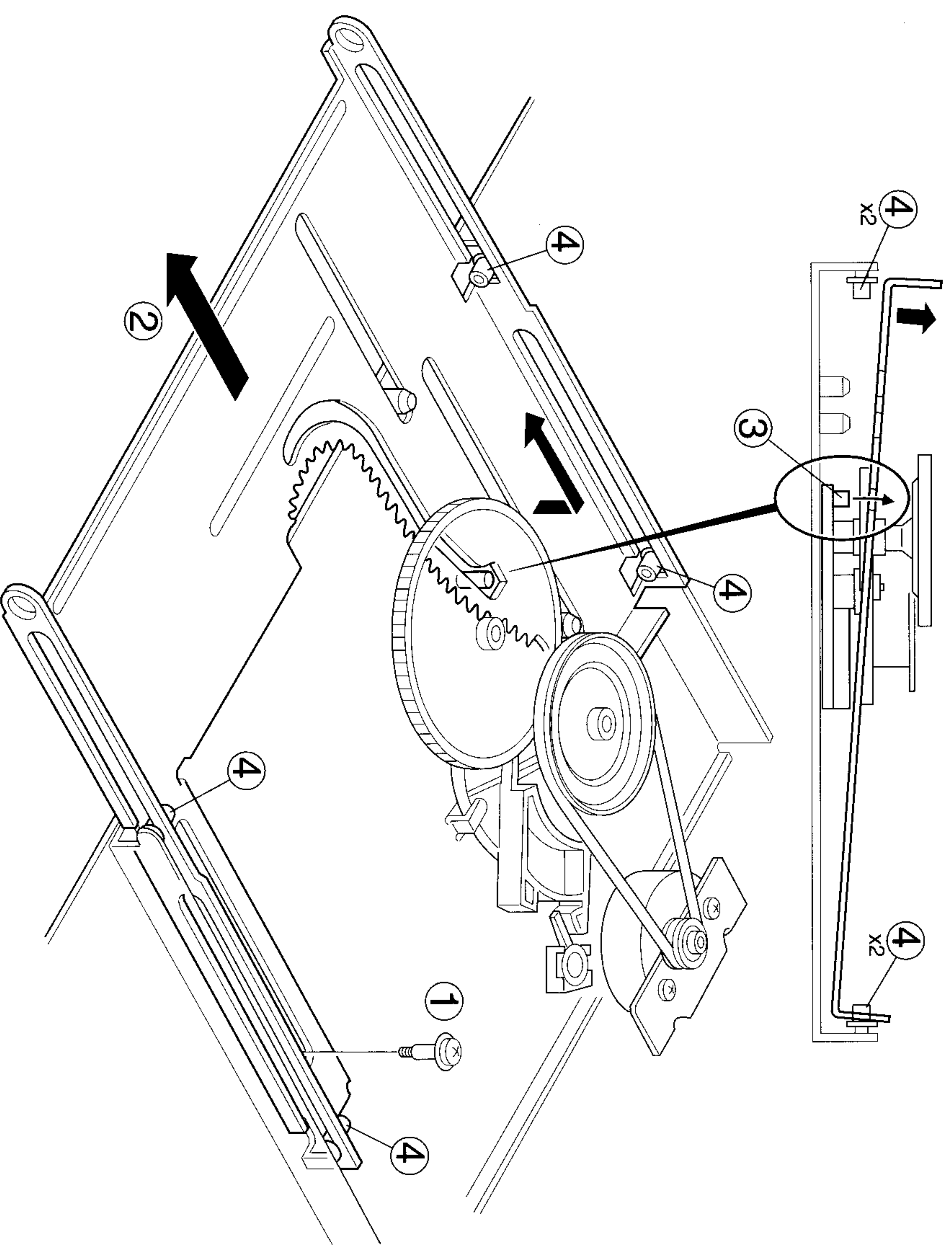
MODEL	DES	TUNER	PREAMP	CONTROL	DISPLAY	REMOTE CONTROL
C-V500	K	X05-4680-10	X08-2770-10	X11-3720-10	X14-4570-10	GRC-100(A70-1159-05)
	P	X05-4680-10	X08-2770-10	X11-3720-10	X14-4570-10	
	Y	X05-4670-20	X08-2772-91	X11-3722-91	X14-4570-10	
C-V550	I	X05-4670-21	X08-2820-20	X11-3780-20	X14-4580-20	GRC-100(A70-1159-05)
	M	X05-4670-21	X08-2820-20	X11-3780-20	X14-4580-20	
	X	X05-4670-72	X08-2820-71	X11-3780-71	X14-4580-20	
C-V700	I	X05-4670-21	X08-2820-21	X11-3780-21	X14-4600-20	GRC-150(A70-1137-05)
	M	X05-4670-21	X08-2820-21	X11-3780-21	X14-4600-20	
	X	X05-4670-72	X08-2820-72	X11-3780-72	X14-4600-20	
C-V750	E	X05-4682-71	X08-2772-71	X11-3722-71	X14-4592-70	GRC-150(A70-1137-05)
	T	X05-4680-51	X08-2770-51	X11-3720-51	X14-4592-70	GRC-150(A70-1137-05)
C-V770	C	X05-4670-21	X08-2823-01	X11-3783-01	X14-4603-01	GRC-100(A70-1159-05)

Accessories

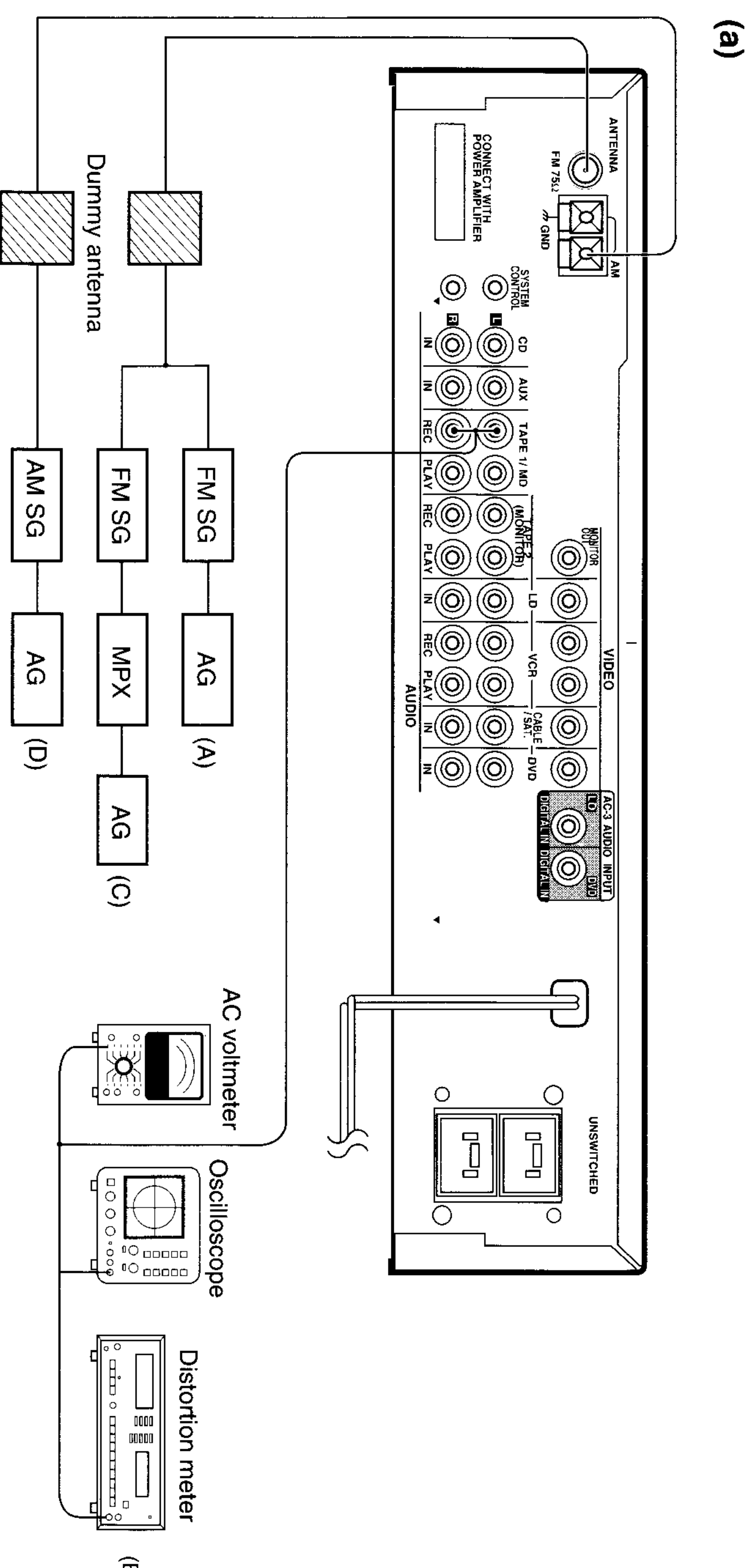
<p>FM indoor antenna (1) (T90-0810-05)</p>	<p>AM loop antenna (1) (T90-0820-05)</p>	<p>Loop antenna stand (1)</p>	<p>Batteries (R03/AAA)(4)</p>	<p>Cable tidy (2) (F07-1602-04)</p>
<p>Microphone (1) (W01-0935-05)</p>	<p>* Graphical Remote Control unit (1) GRC-100 (A70-1159-05) GRC-150 (A70-1137-05)</p>	<p>* AC plug adapter (1) (E03-0115-05)</p>	<p>Battery cover (A09-0379-08)</p>	<p>* Use to adapt the plug on the power cord to the shape of the wall outlet. (Accessory only for regions where use is necessary.)</p>

* Refer to parts list on page 40.

1. Remove the 1 screw (1), Then pull the slider (2) till last
2. While raise the slider of left side, remove the slider from the bosses (3),(4)



No.	ITEM	INPUT SETTING	OUTPUT SELECTOR	TUNER/AMP SETTING	ALIGNMENT POINTS	ALIGN FOR	FIG.
SELECTOR : FM							
1	DISCRIMINATOR L31 ← L32 (E, T only)	(A) 98.0MHz 1kHz, ±40kHz dev (E, T type) 60dBu (ANT INPUT)	Connect a DC voltmeter between port of CN2	AUTO 98.0MHz	L31 (X05-) L32 (X05-)	0V Minimum distortion	(a)
2	DISTORTION (STEREO)	(C) 98.0MHz 1kHz, ±40kHz dev pilot: ±6kHz dev 60dBu (ANT INPUT)	(B)	AUTO (98.0MHz)	IFT (W02-)	Minimum distortion	(a)



ERROR MESSAGE

DISPLAY	DESCRIPTION
ERR 1	Main u-com sub clock no output
ERR 2	Main u-com sub clock frequency NG

SPECIFICATIONS

For C-V500 (U.S.A and Canada)

Audio section

Total harmonic distortion (1 KHz, 1V) 0.01 %

Signal to noise ratio (IHF66)

CD 98 dB

Input sensitivity / impedance

CD 200 mV / 47kΩ

Tone controls

BASS ± 8 dB (at 100 Hz)

TREBLE ± 8 dB (at 10 KHz)

Output level / impedance

TAPE REC 200 mV / 1 kW

Video section

VIDEO inputs / outputs
(composite) 1 Vp-p/75 Ω

Digital section

Sampling frequency 32 KHz, 44.1 KHz, 48 KHz

Digital input
(coaxial) 0.5 Vp-p/75 Ω

FM Tuner section

Tuning frequency range 87.5 MHz~108 MHz

Usable sensitivity

MONO 1.6 uV (at 75 Ω) / 15.2 dBf
(75 KHz dev., SINAD. 30 dB)

50dB quieting sensitivity

STEREO 31.6 uV (at 75 Ω) / 41.2 dBf
(75 KHz dev.)

Signal to noise ratio (1 KHz, 75 KHz dev.)

MONO 75 dB (65.2 dBf input)

STEREO 68 dB (65.2 dBf input)

Selectivity (IHF ± 400 KHz) 70 dB

Stereo separation (1 KHz) 40 dB

Stereo frequency response 30 Hz~15 KHz, + 0.5 dB, - 3.0 dB

AM Tuner section

Tuning frequency range 530 KHz ~ 1,700 KHz

Usable sensitivity
(30% mod., S/N 20 dB) 16 uV / (600 uV / m)

Signal to noise ratio
(at 30% mod. 1mV input) 48 dB

General

Power consumption 35 W

AC outlet

UN SWITCHED 2: (Total 100 W max)
W : 400 mm (15-3/4")
H : 105 mm (4-1/8")
D : 382 mm (15-1/16")

Dimensions

Weight (net) 4.4 kg (9.7 lb)

For C-V500 (Other countries)

Audio section

Total harmonic distortion (1 KHz, 1V) 0.01 %

Signal to noise ratio (IHF66)

CD 98 dB

Input sensitivity / impedance

CD 200 mV / 47kΩ

Tone controls

BASS ± 8 dB (at 100 Hz)

TREBLE ± 8 dB (at 10 KHz)

Output level / impedance

TAPE REC 200 mV / 1 KΩ

Video section

VIDEO inputs / outputs
(composite) 1 Vp-p/75 Ω

Digital section

Sampling frequency 32 KHz, 44.1 KHz, 48 KHz

Digital input
(coaxial) 0.5 Vp-p/75 Ω

FM Tuner section

Tuning frequency range 87.5 MHz~108 MHz

Usable sensitivity

MONO 1.6 uV (at 75 Ω) / 15.2 dBf
(75 KHz dev., SINAD. 30 dB)

50dB quieting sensitivity

STEREO 31.6 uV (at 75 Ω) / 41.2 dBf
(75 KHz dev.)

Signal to noise ratio (1 KHz, 75 KHz dev.)

MONO 75 dB (65.2 dBf input)

STEREO 68 dB (65.2 dBf input)

Selectivity (IHF ± 400 KHz) 50 dB

Stereo separation (1 KHz) 40 dB

Stereo frequency response 30 Hz~15 KHz, + 0.5 dB, - 3.0 dB

AM Tuner section

Tuning frequency range (9 KHz) 531 KHz ~ 1,602 KHz
(10 KHz) 530 KHz ~ 1,610 KHz

Usable sensitivity
(30% mod., S/N 20 dB) 16 uV / (600 uV / m)

Signal to noise ratio
(at 30% mod. 1mV input) 48 dB

General

Power consumption 35 W

AC outlet

UN SWITCHED 2: (Total 100 W max)
W : 400 mm
H : 105 mm
D : 382 mm

Dimensions

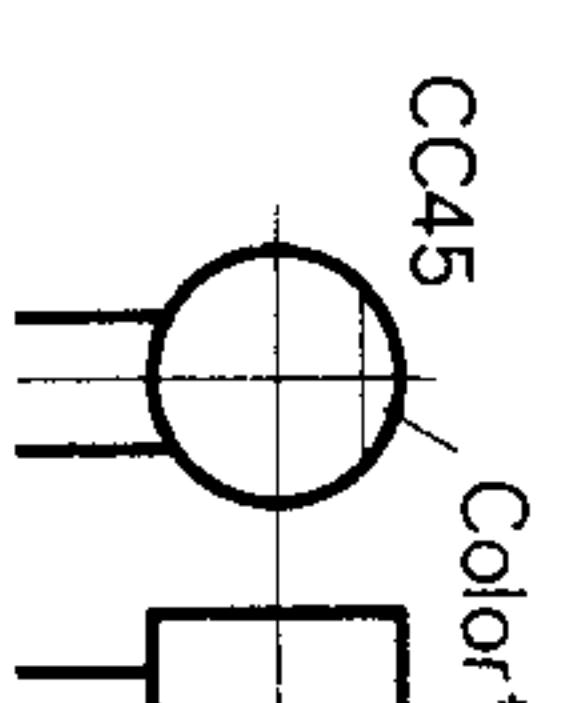
Weight (net) 4.4 kg

PARTS DESCRIPTIONS

CAPACITORS

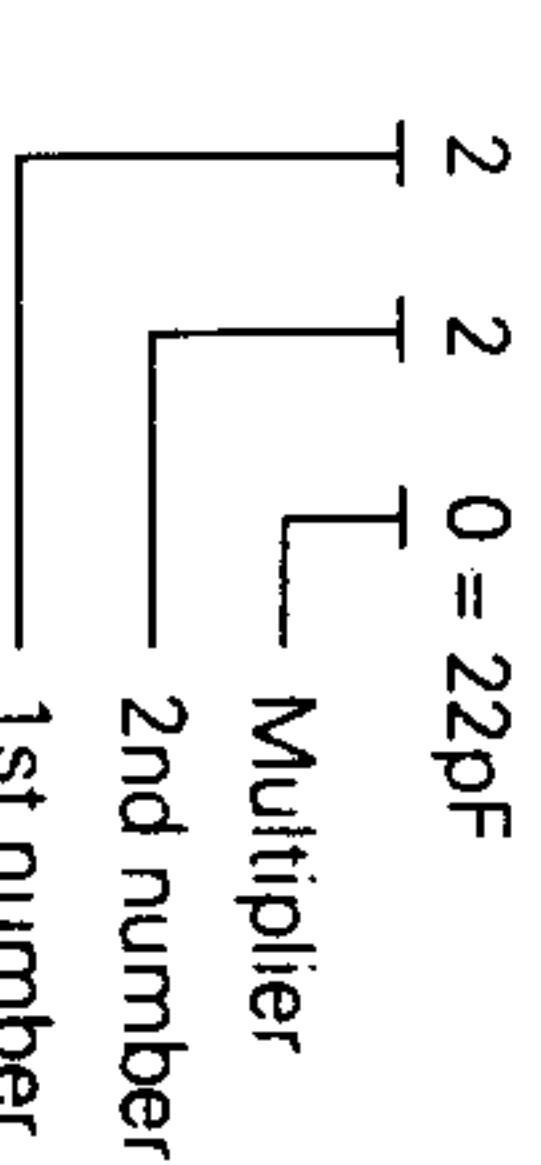
CC	45	TH	1H	220	J
1	2	3	4	5	6

1 = Type ... ceramic, electrolytic, etc. 4 = Voltage rating
2 = Shape ... round, square, ect. 5 = Value
3 = Temp. coefficient 6 = Tolerance



Capacitor value

010 = 1pF
100 = 10pF
101 = 100pF
102 = 1000pF = 0.001μF
103 = 0.01μF



Temperature coefficient

1st Word	C	L	P	R	S	T	U
Color*	Black	Red	Orange	Yellow	Green	Blue	Violet
ppm/°C	0	-80	-150	-220	-330	-470	-750

2nd Word	G	H	J	K	L
ppm/°C	±30	±60	±120	±250	±500

Example : CC45TH = -470 ± 60ppm/°C

Tolerance (More than 10pF)

Code	C	D	G	J	K	M	X	Z	P	No code
(%)	±0.25	±0.5	±2	±5	±10	±20	+40	+80	+100	More than 10μF - 10 ~ +50 Less than 4.7μF -10 ~ +75

Less than 10pF)

Code	B	C	D	F	G
(pF)	±0.1	±0.25	±0.5	±1	±2

Voltage rating

1st word	2nd word	A	B	C	D	E	F	G	H	J	K	V
0	1.0	1.25	1.6	2.0	2.5	3.15	4.0	5.0	6.3	8.0	-	-
1	10	12.5	16	20	25	31.5	40	50	63	80	35	-
2	100	125	160	200	250	315	400	500	630	800	-	-
3	1000	1250	1600	2000	2500	3150	4000	5000	6300	8000	-	-

Chip capacitors

(EX) C C 7 3 F S L 1 H 0 0 0 J

1 2 3 4 5 6 7

(Chip) (CH, RH, UU, SL)

Refer to the table above.

(EX) C K 7 3 F F 1 H 0 0 0 Z

1 2 3 4 5 6 7

(Chip) (B, F)

1 = Type
2 = Shape
3 = Dimension
4 = Temp. coefficient
5 = Voltage rating
6 = Value
7 = Tolerance

Dimension code	L	W	T
Empty	5.6 ± 0.5	5.0 ± 0.5	Less than 2.0
A	4.5 ± 0.5	3.2 ± 0.4	Less than 2.0
B	4.5 ± 0.5	2.0 ± 0.3	Less than 2.0
C	4.5 ± 0.5	1.25 ± 0.2	Less than 1.25
D	3.2 ± 0.4	2.5 ± 0.3	Less than 1.5
E	3.2 ± 0.2	1.6 ± 0.2	Less than 1.25
F	2.0 ± 0.3	1.25 ± 0.2	Less than 1.25
G	1.6 ± 0.2	0.8 ± 0.2	Less than 1.0

RESISTORS

Chip resistor (Carbon)

(EX) R K 7 3 E B 2 B 0 0 0 J

1 2 3 4 5 6 7

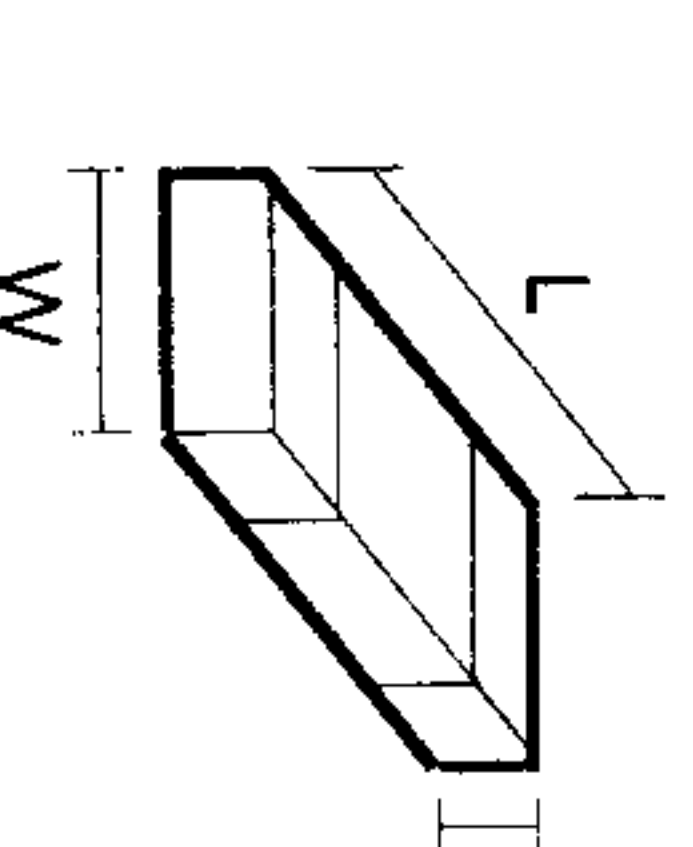
(Chip) (B, F)

Carbon resistor (Normal type)

(EX) R D 1 4 B B 2 C 0 0 0 J

1 2 3 4 5 6 7

- 1 = Type 5 = Rating wattage
2 = Shape 6 = Value
3 = Dimension 7 = Tolerance
4 = Temp. coefficient



Dimension code	L	W	T
E	3.2 ± 0.2	1.6 ± 0.2	1.0
F	2.0 ± 0.3	1.25 ± 0.2	1.0
G	1.6 ± 0.2	0.8 ± 0.2	0.5 ± 0.1

Rating wattage

Code	Wattage	Code	Wattage	Code	Wattage
1J	1/16W	2C	1/6W	3A	1W
2A	1/10W	2E	1/4W	3D	2W
2B	1/8W	2H	1/2W		



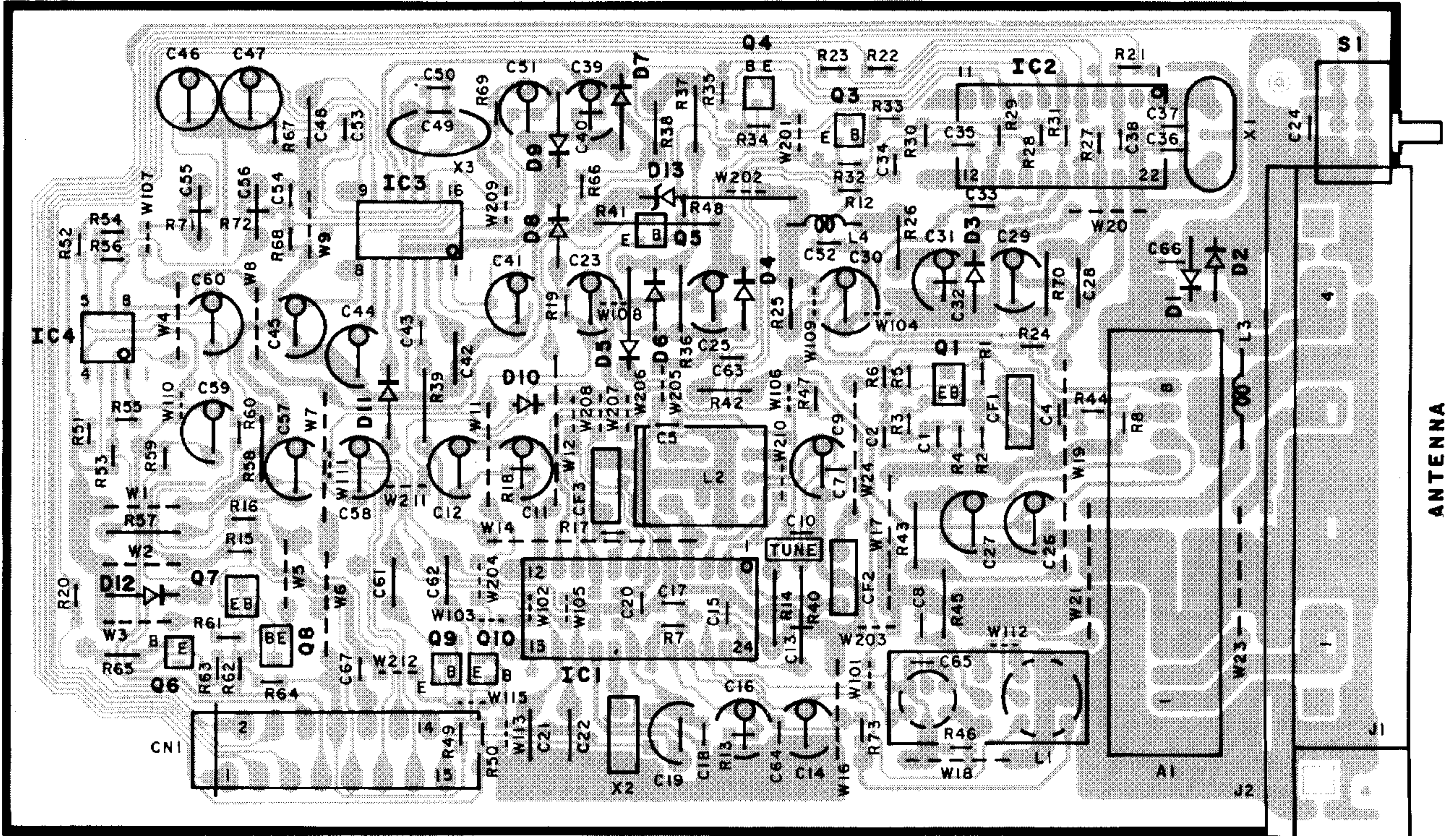
- Note:**
- KENWOOD follows a policy of continuous advancements in development. For this reason specifications may be changed without notice.
 - Full performance may not be exhibited in extremely cold locations (below 0 deg.C).

KENWOOD CORPORATION

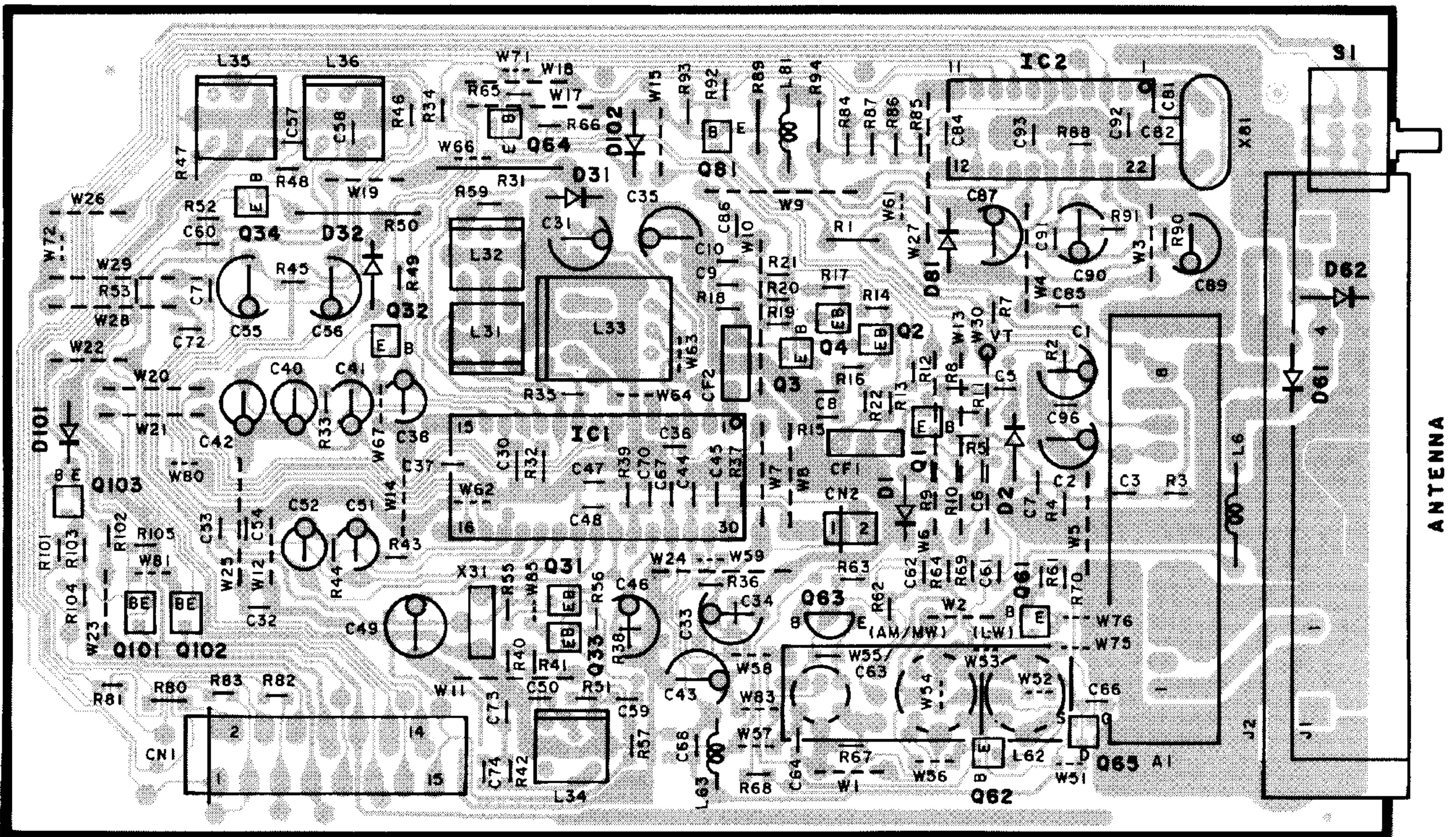
14-6,Dogenzaka 1-chome, Shibuya-ku, Tokyo, 150 Japan
KENWOOD SERVICE CORPORATION
 P.O BOX 22745, 2201 East Dominguez St., Long Beach, CA 90801-5745, U.S.A.

PC BOARD(Component side view)

(X05-4670-20) J70-0959-11

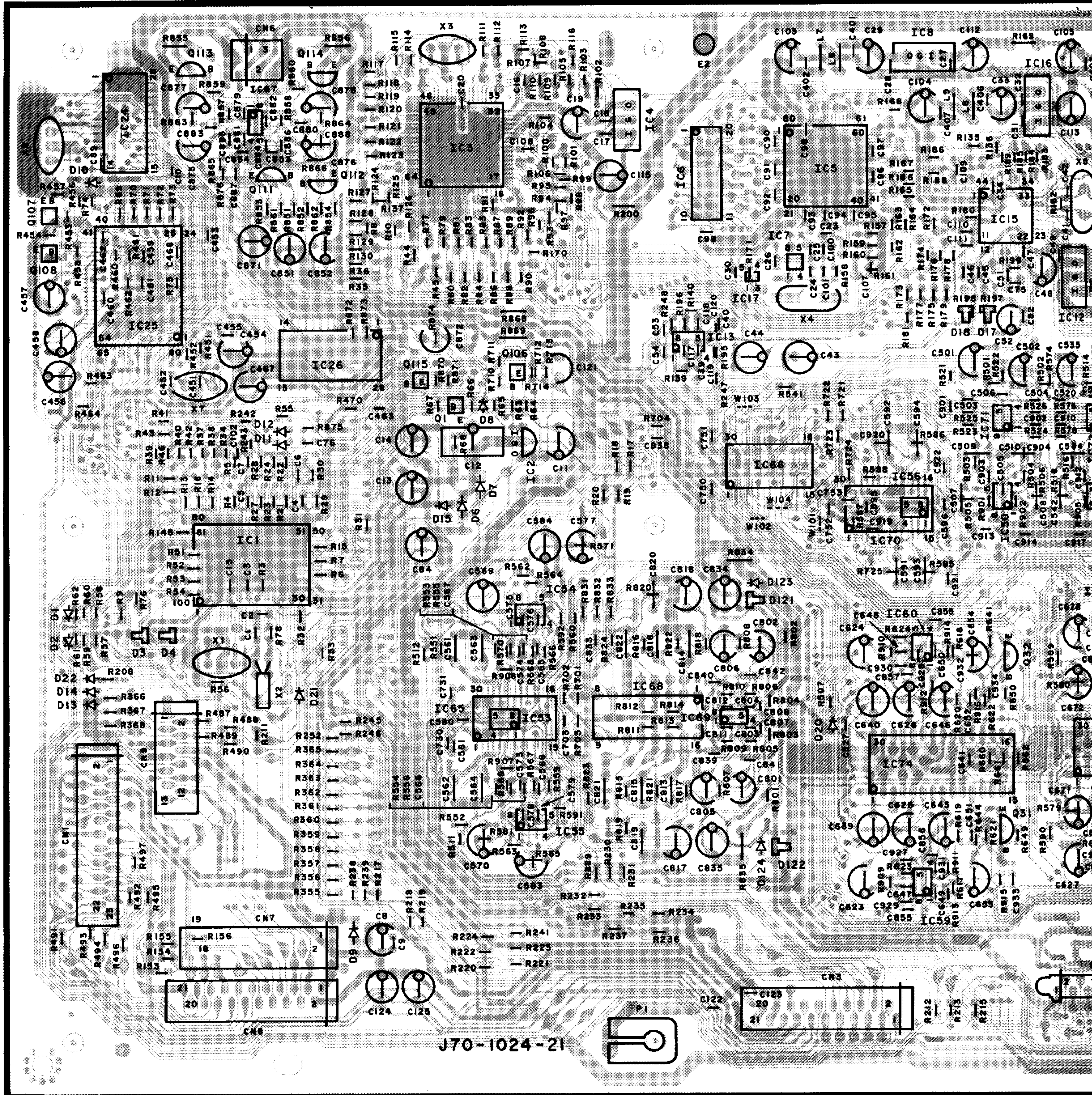


(X05-468X-XX) J70-0960-21

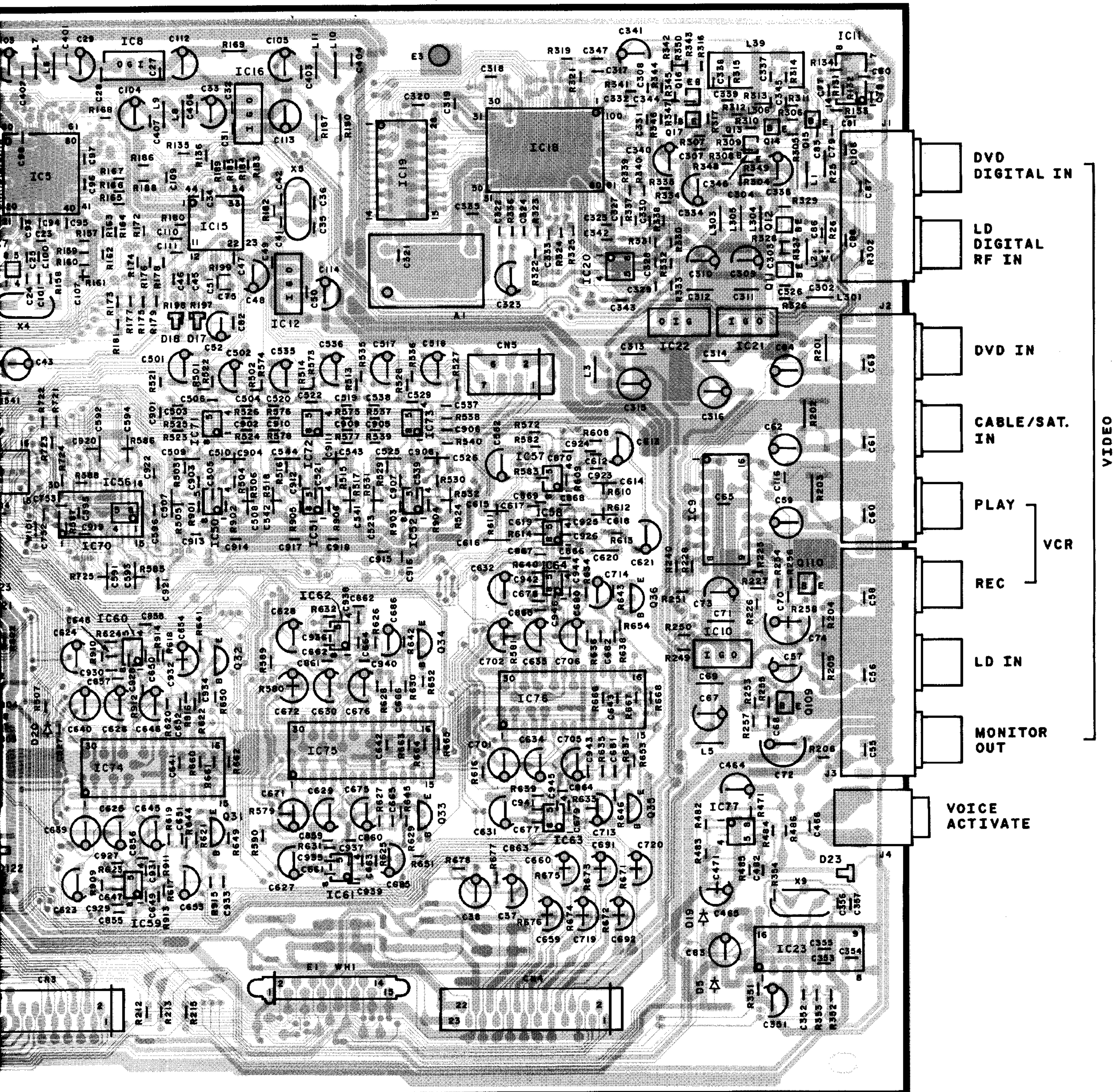


PC BOARD(Component side view)

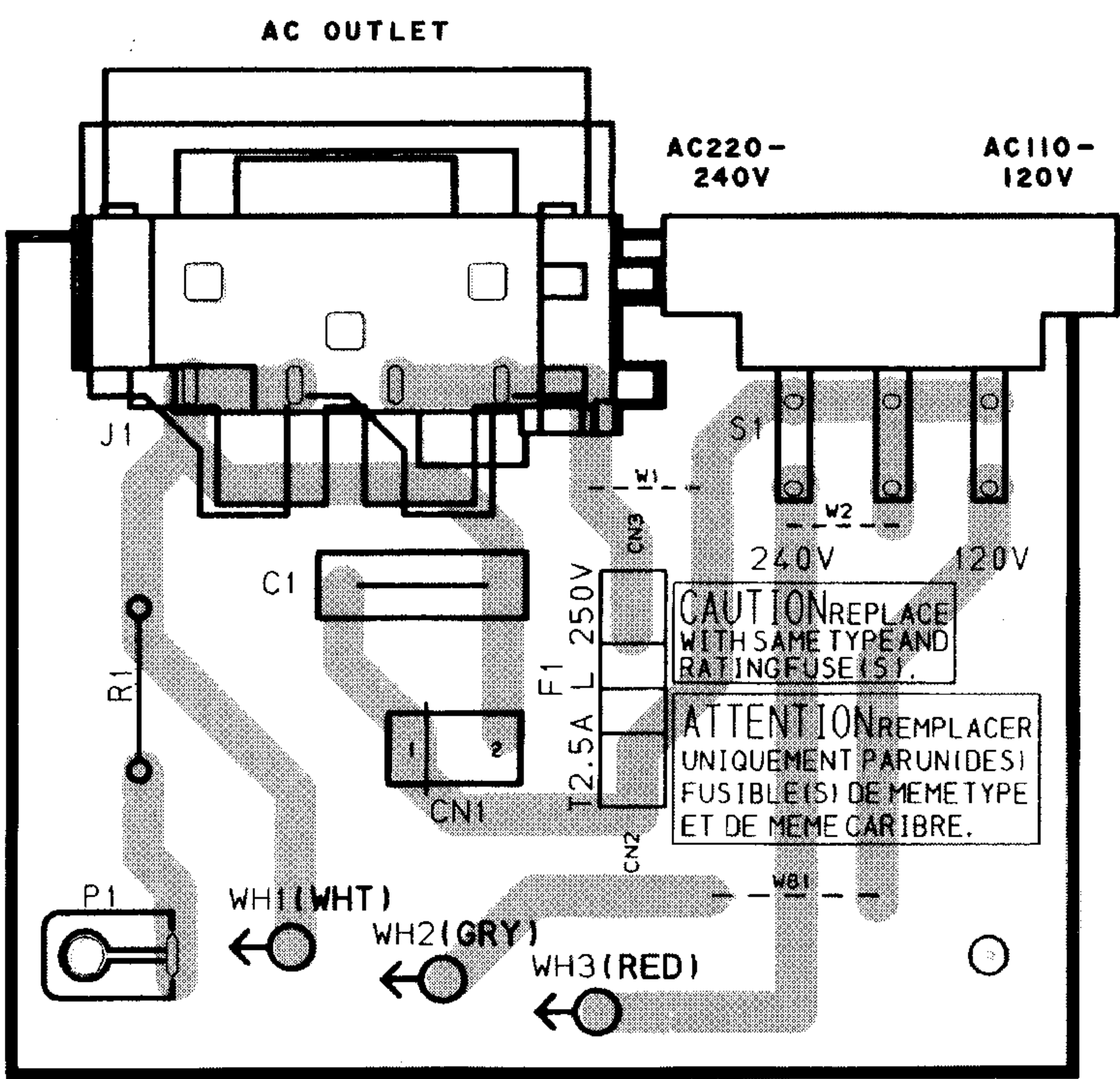
(X08-277X-XX)
(X08-282X-XX)



Refer to the schematic diagram for the value of resistors and capacitors.

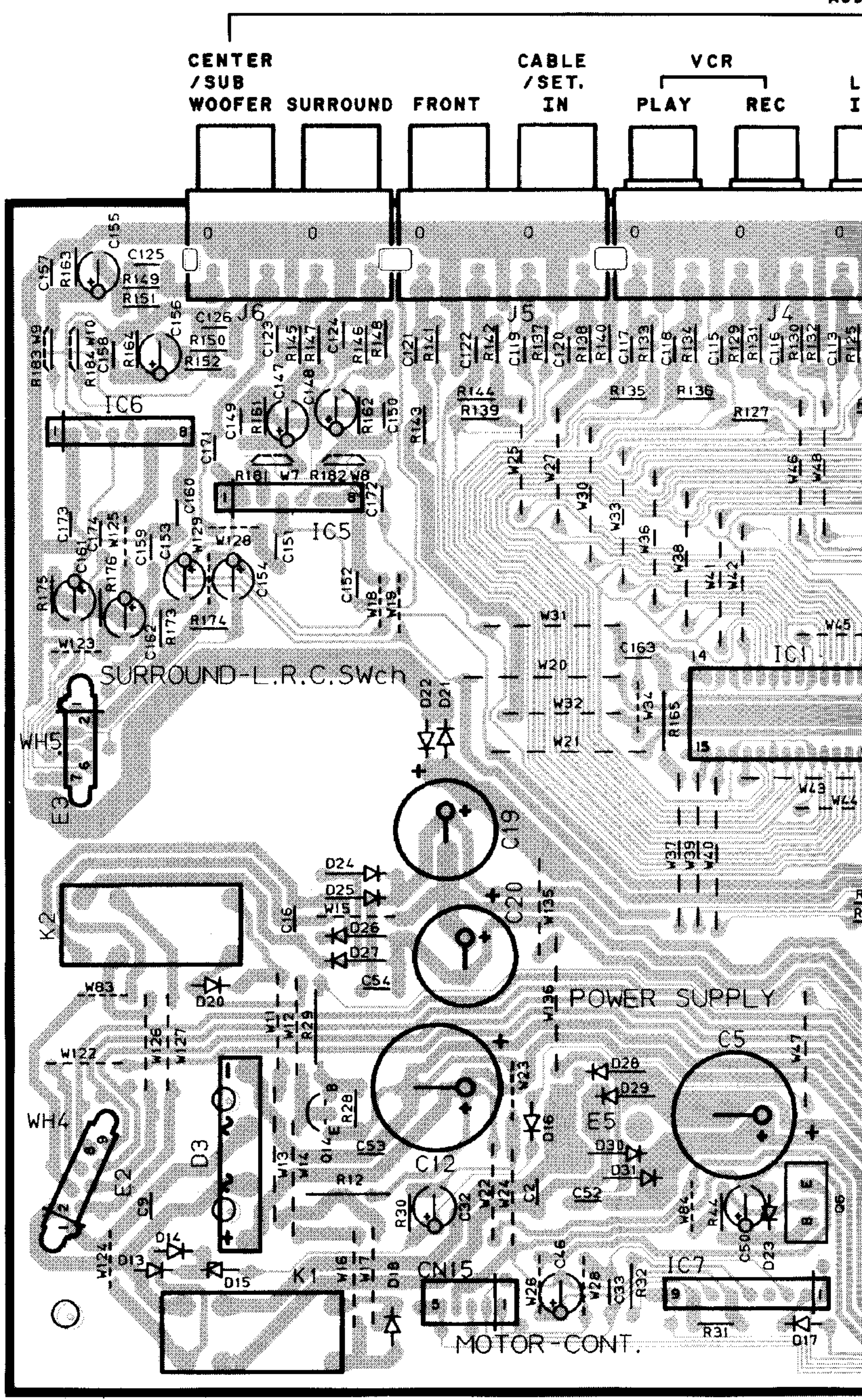
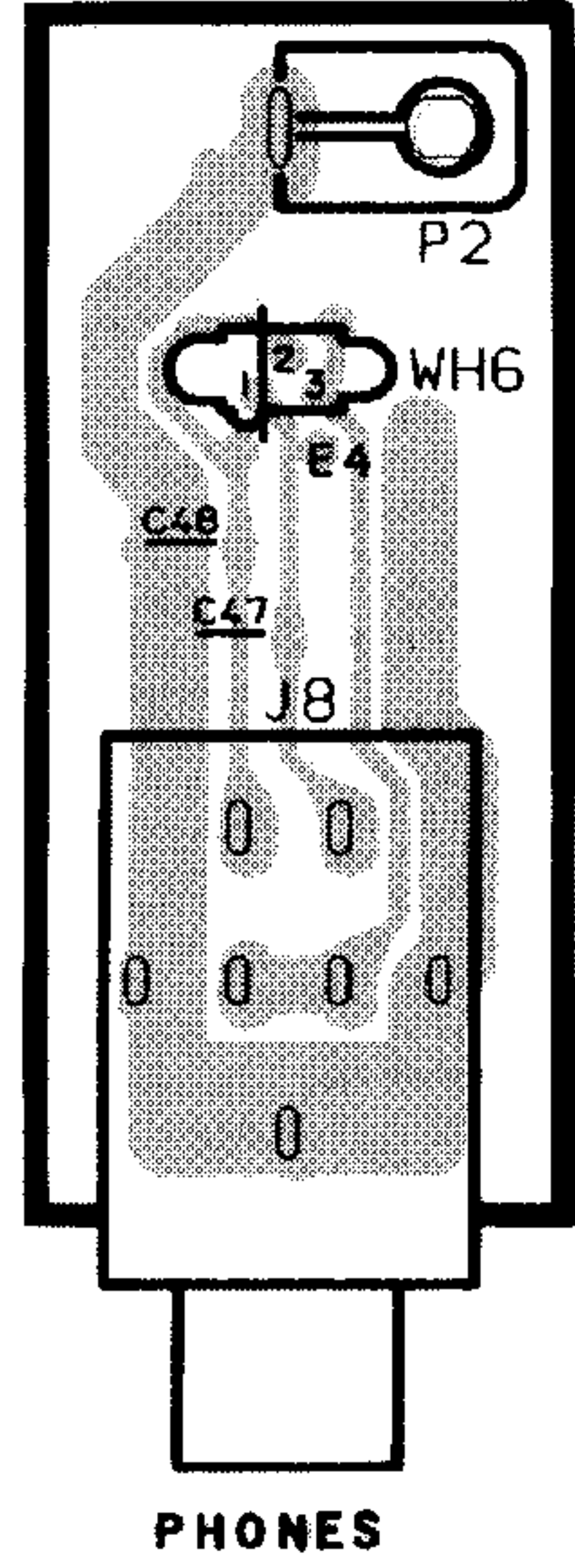


PC BOARD(Component side view)

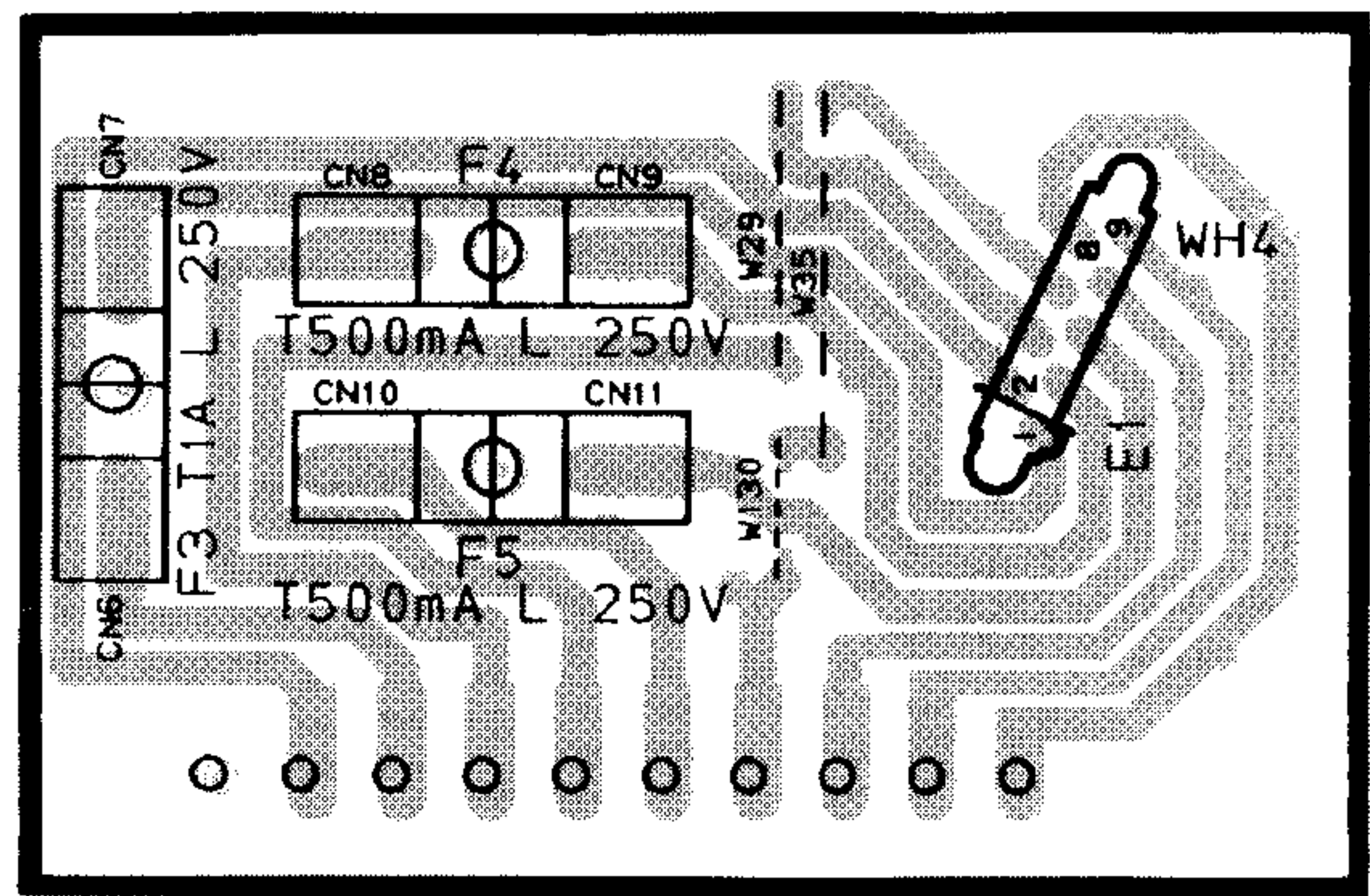


(X11-) (B/5)

(X11-) (E/5)

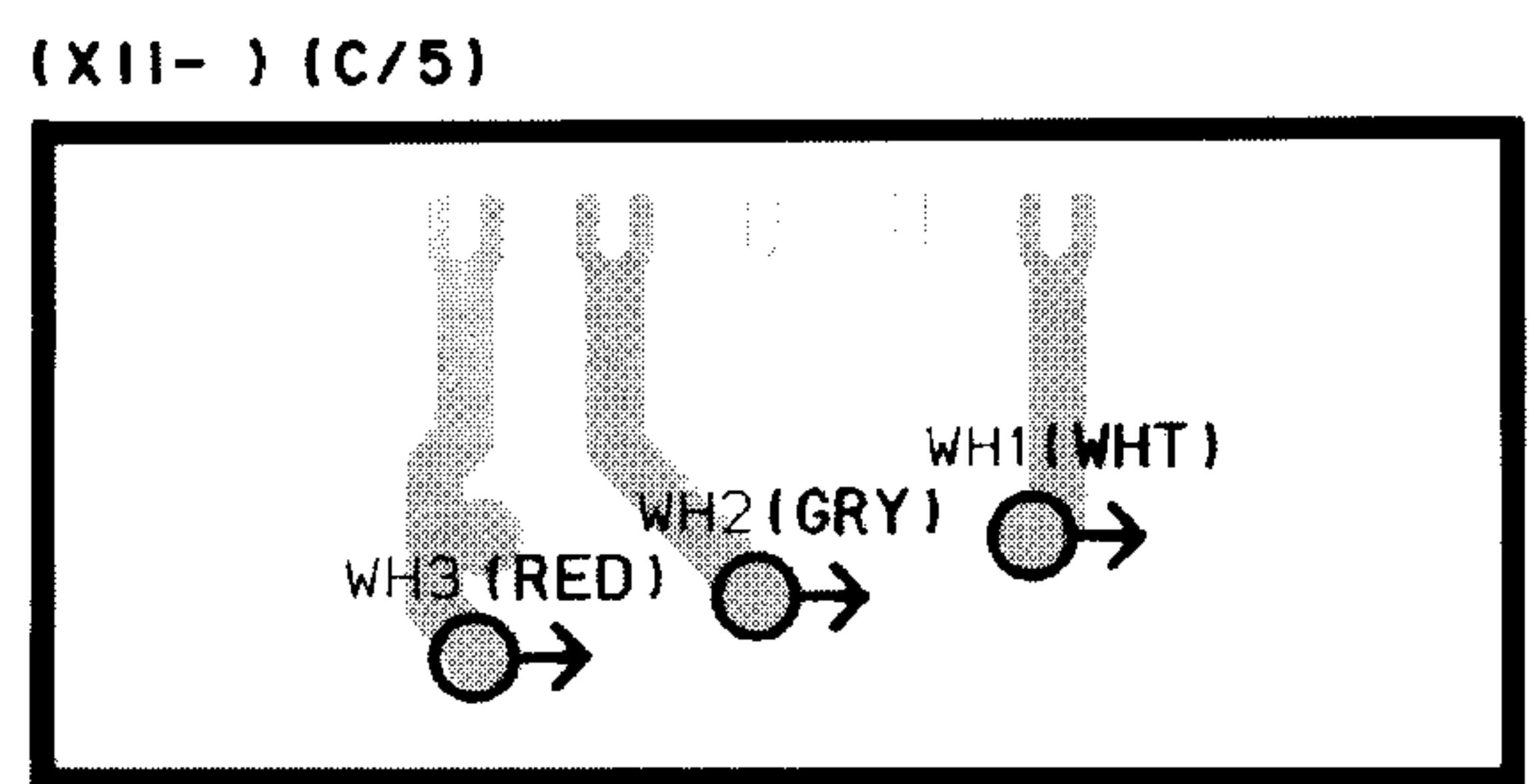
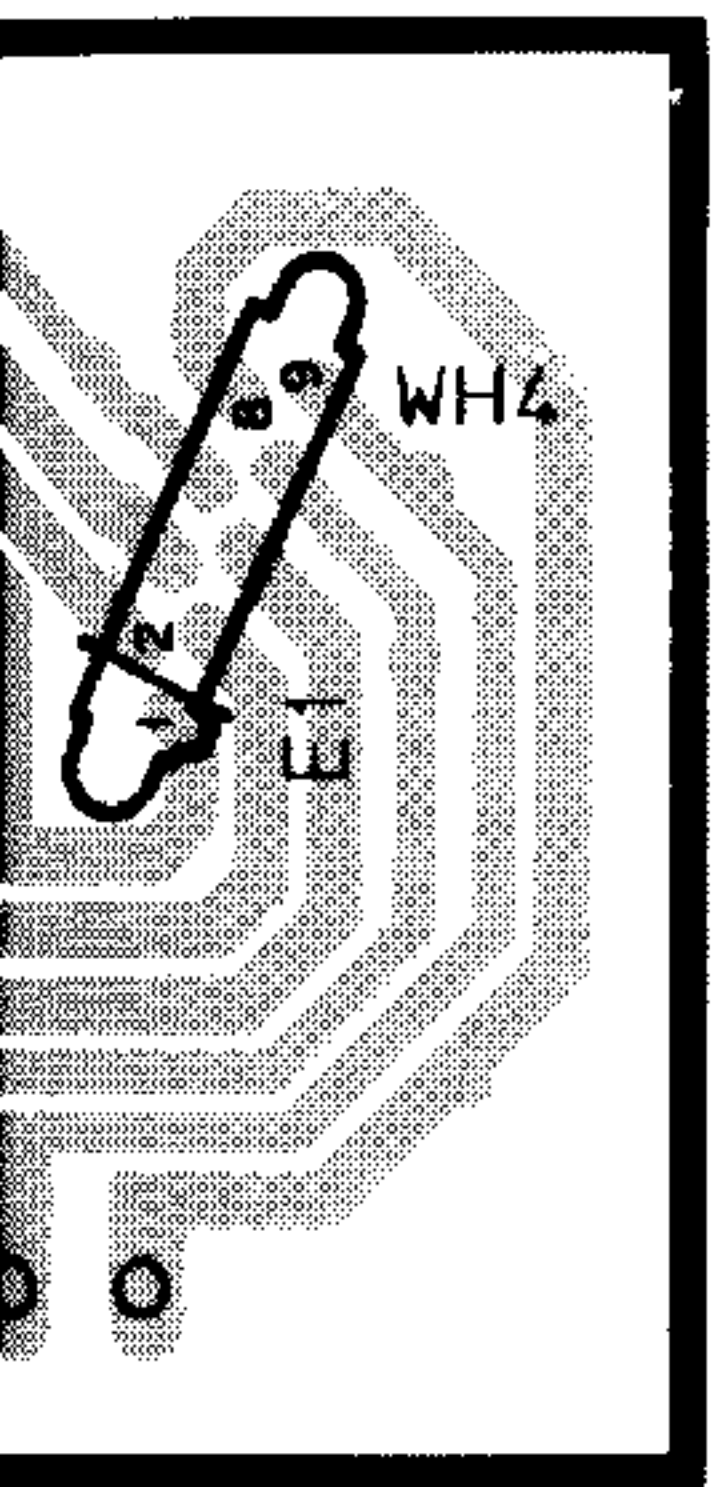
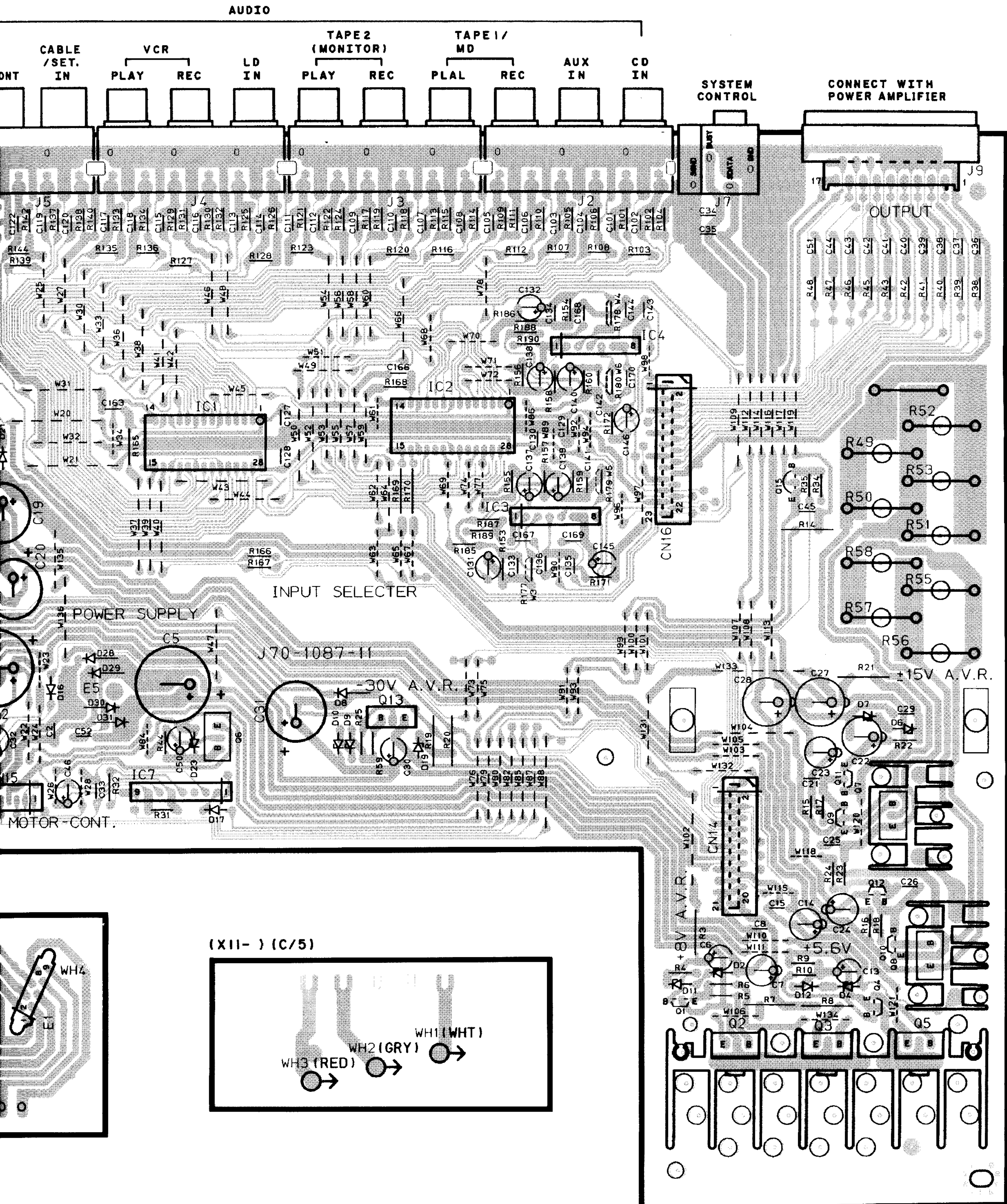


(X11-372X-XX) (A/5)
(X11-378X-XX) (A/5)



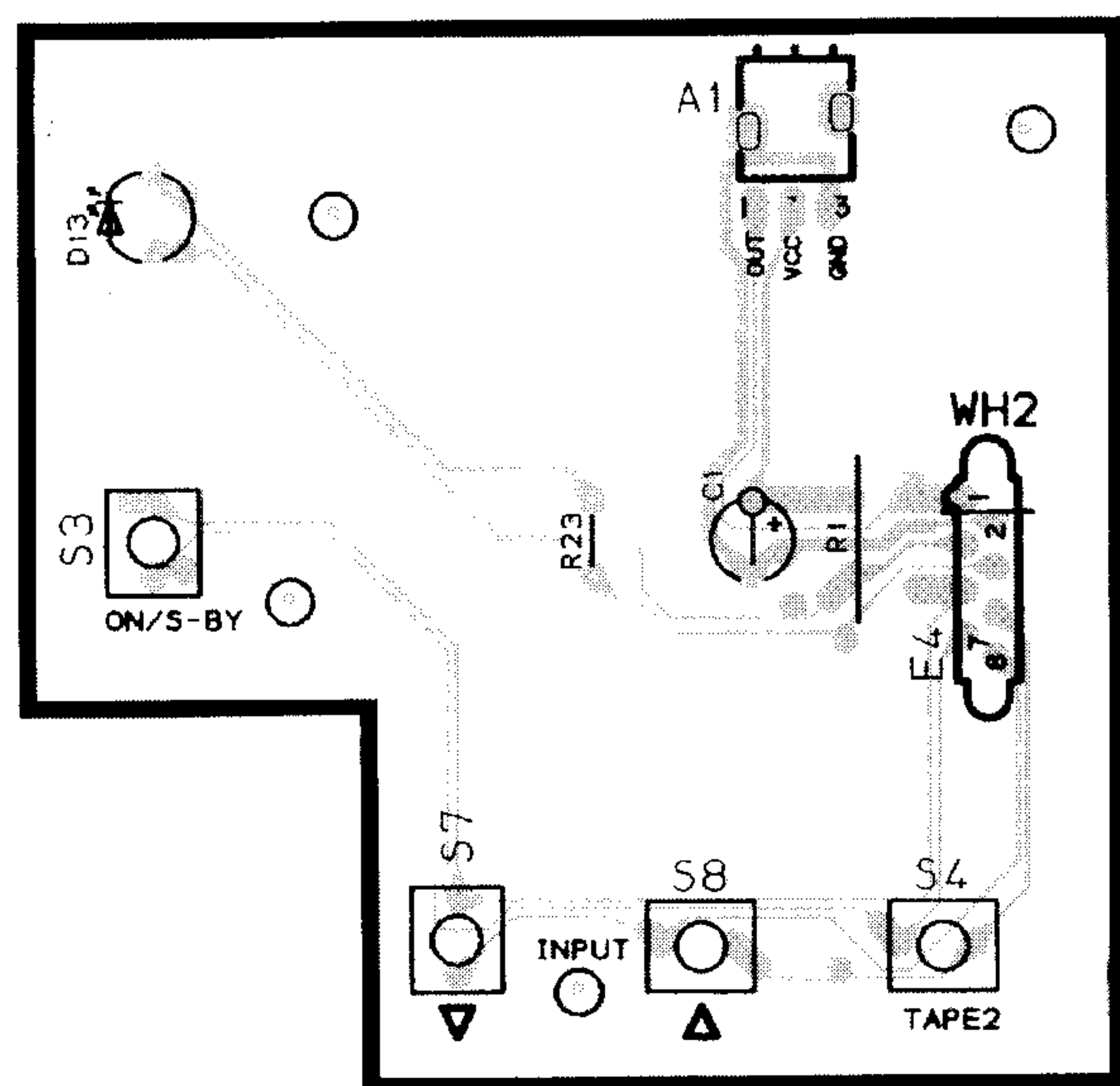
(X11-) (D/5)



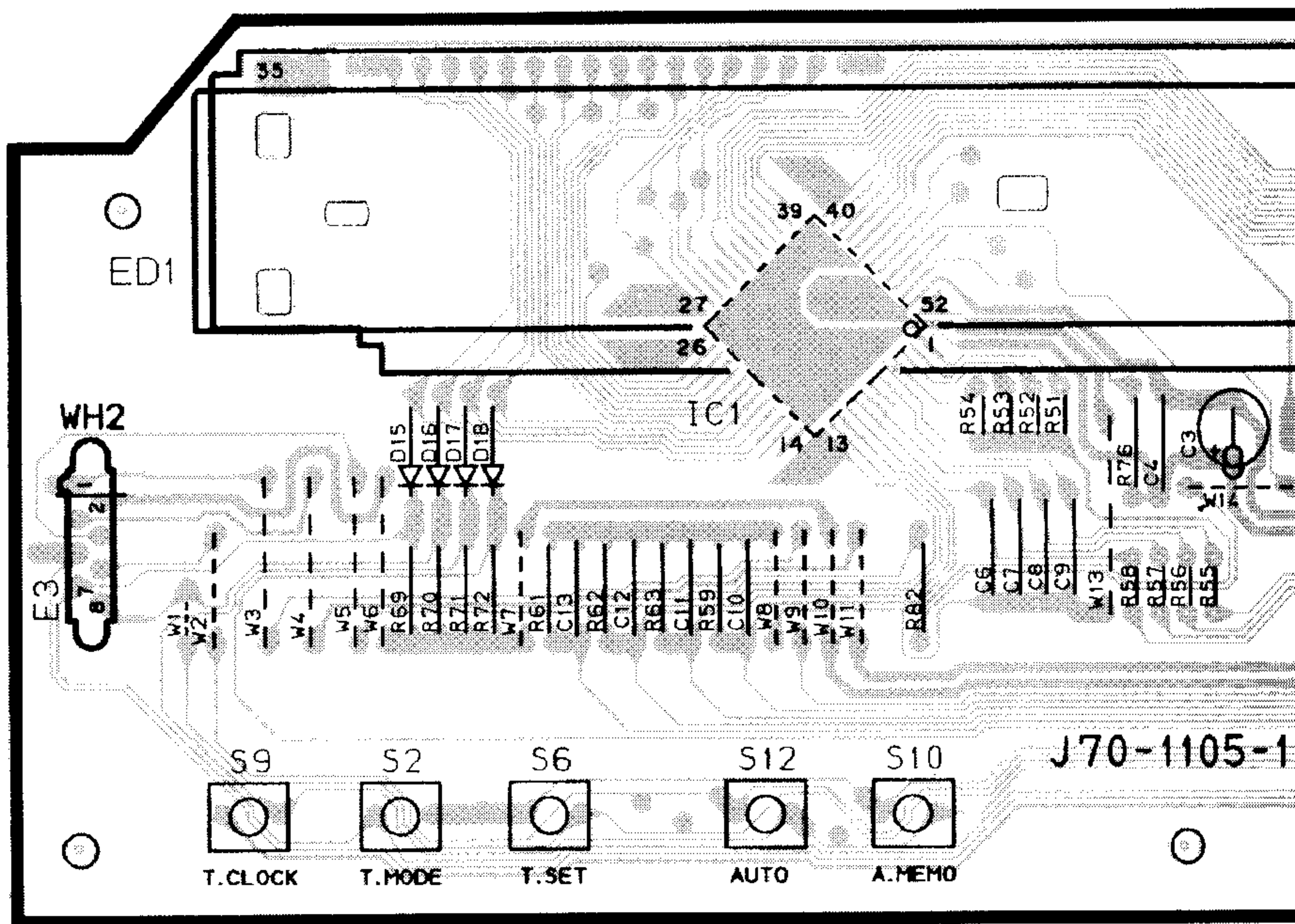


PC BOARD(Component side view)

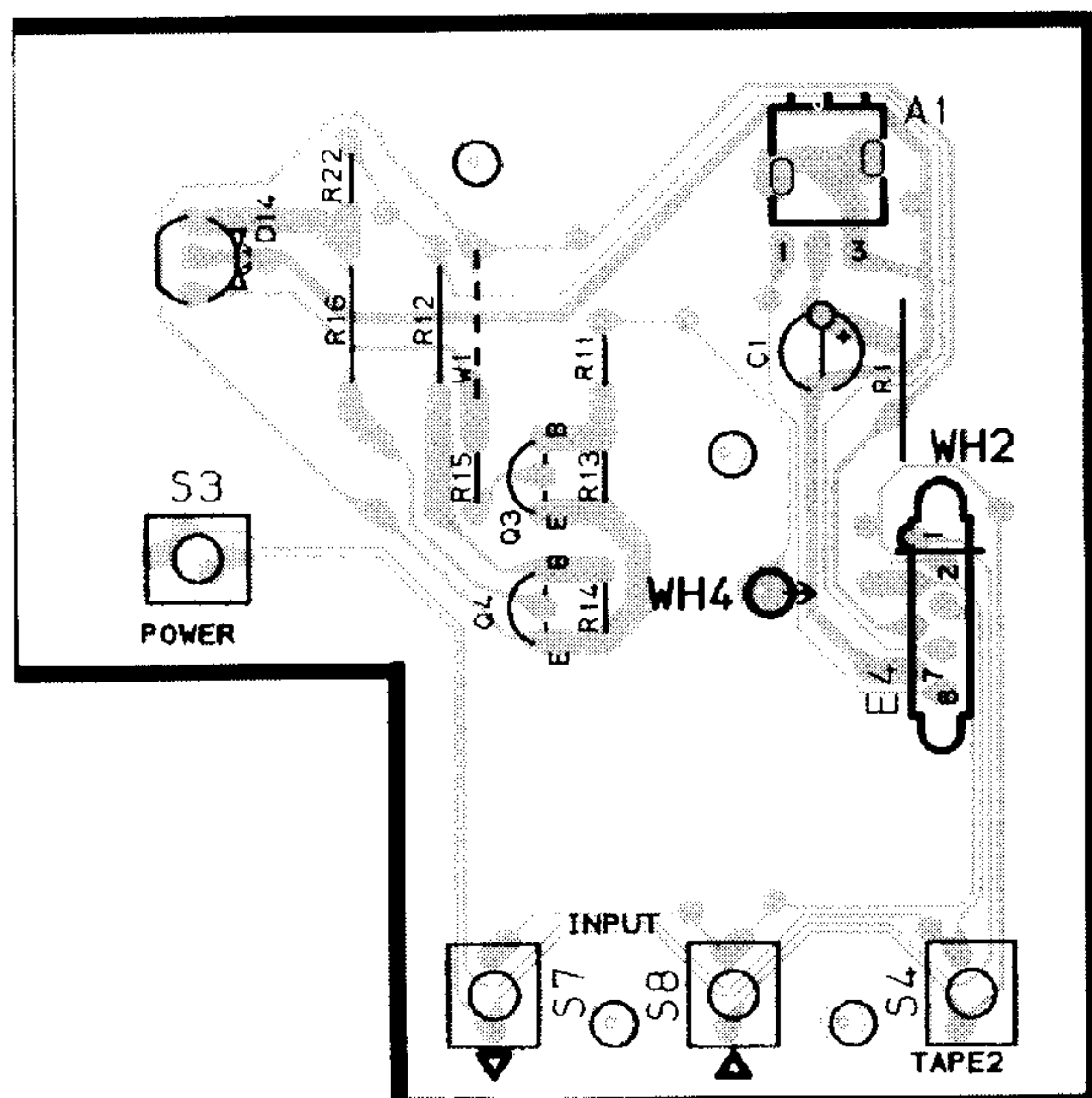
(X14-) (B/3)



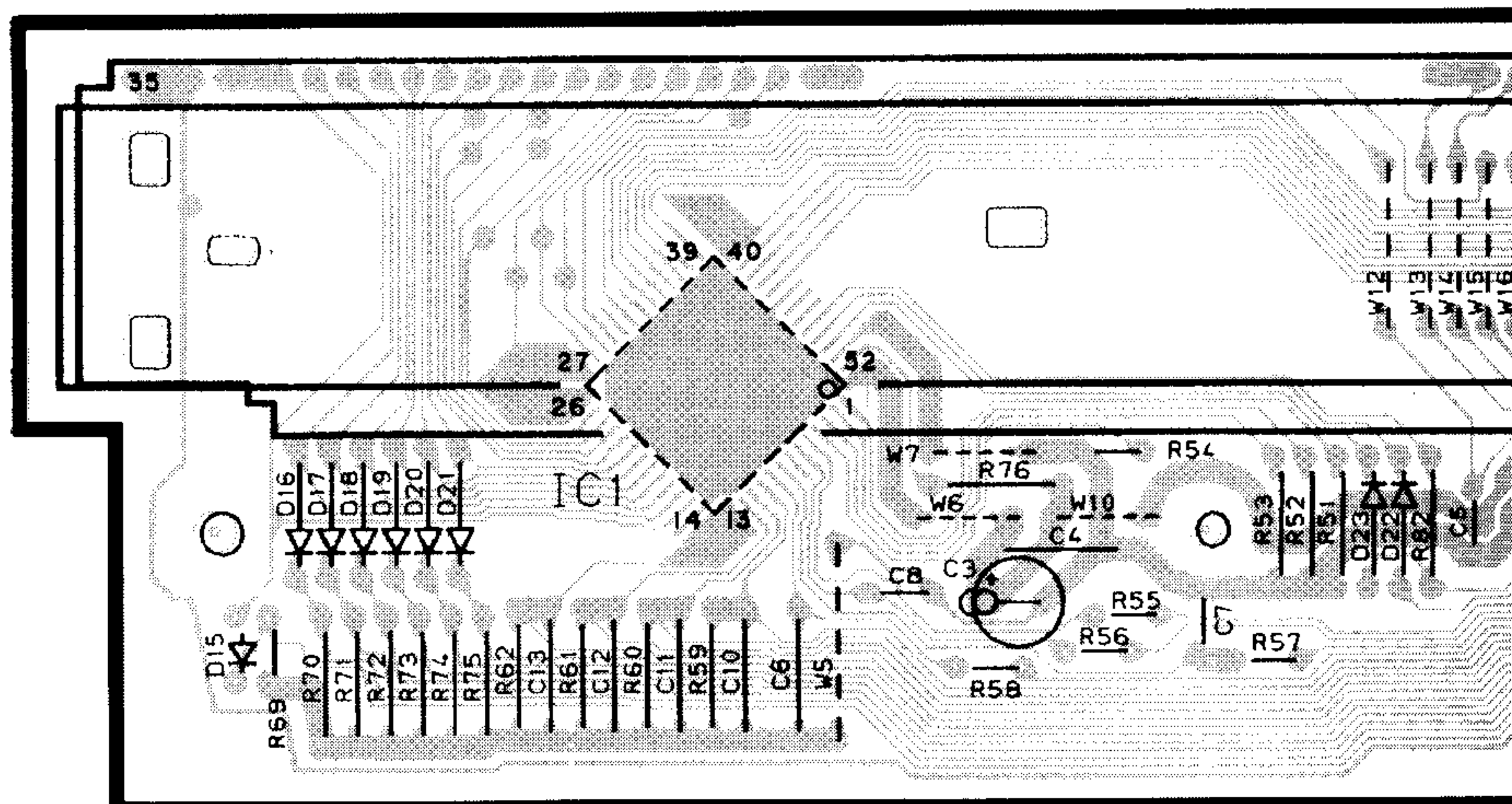
(X14-458X-XX) (A/3)



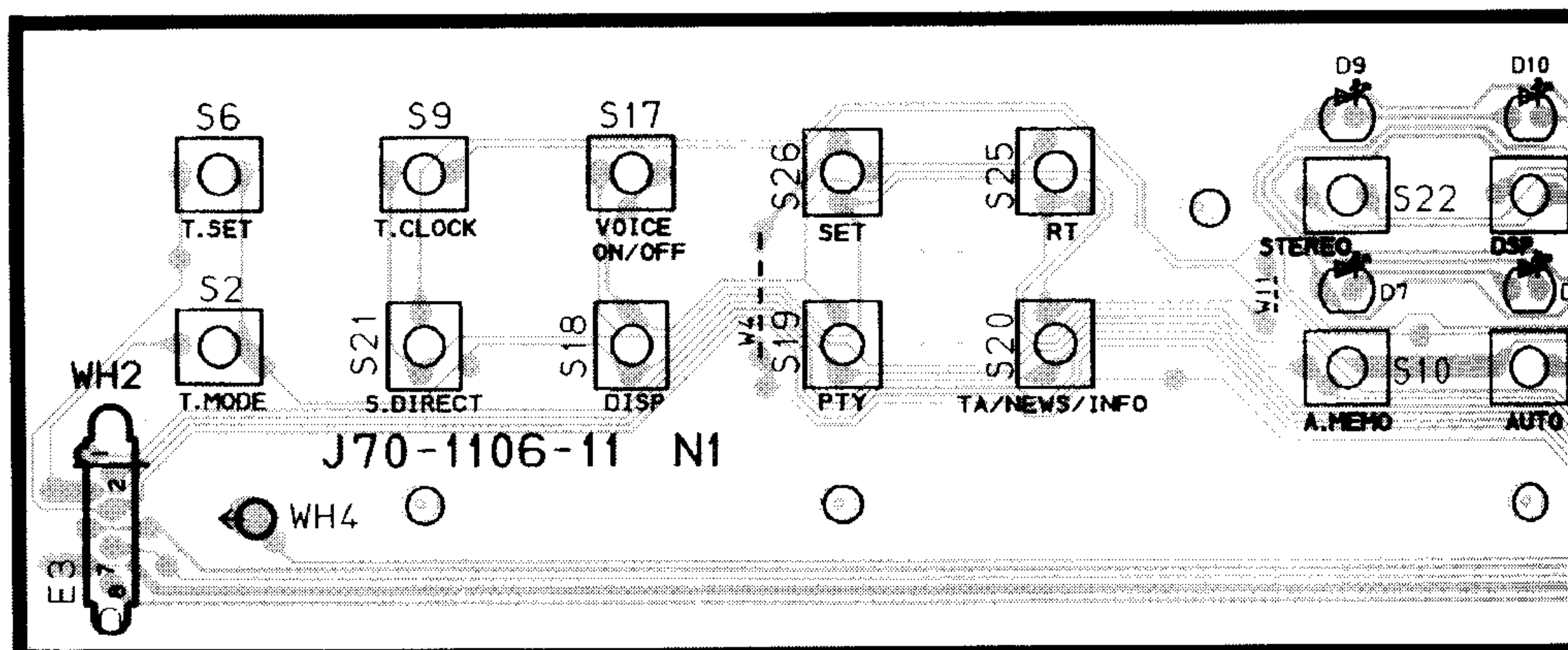
X14-) (C/4)

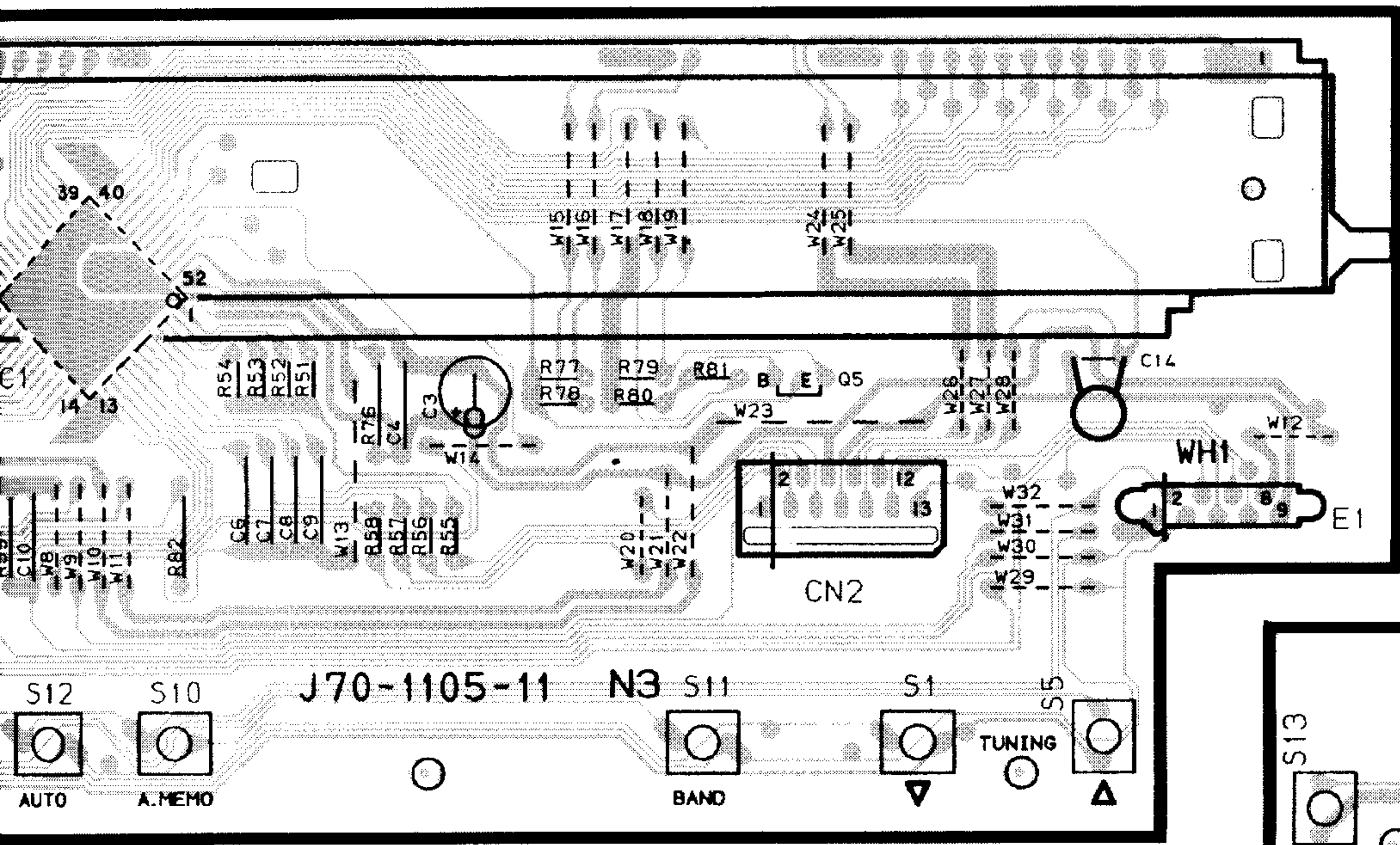


(X14-) (D/4)

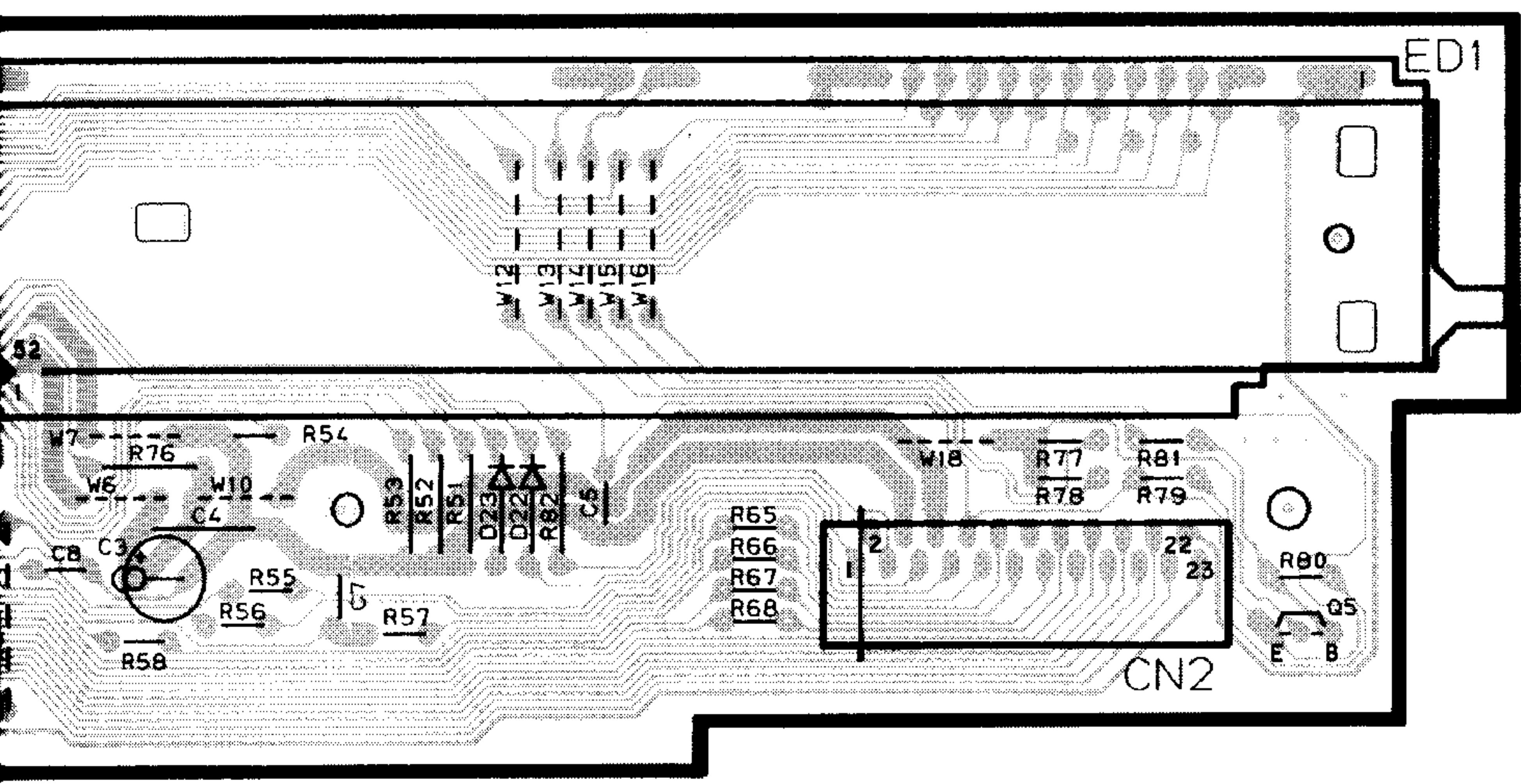
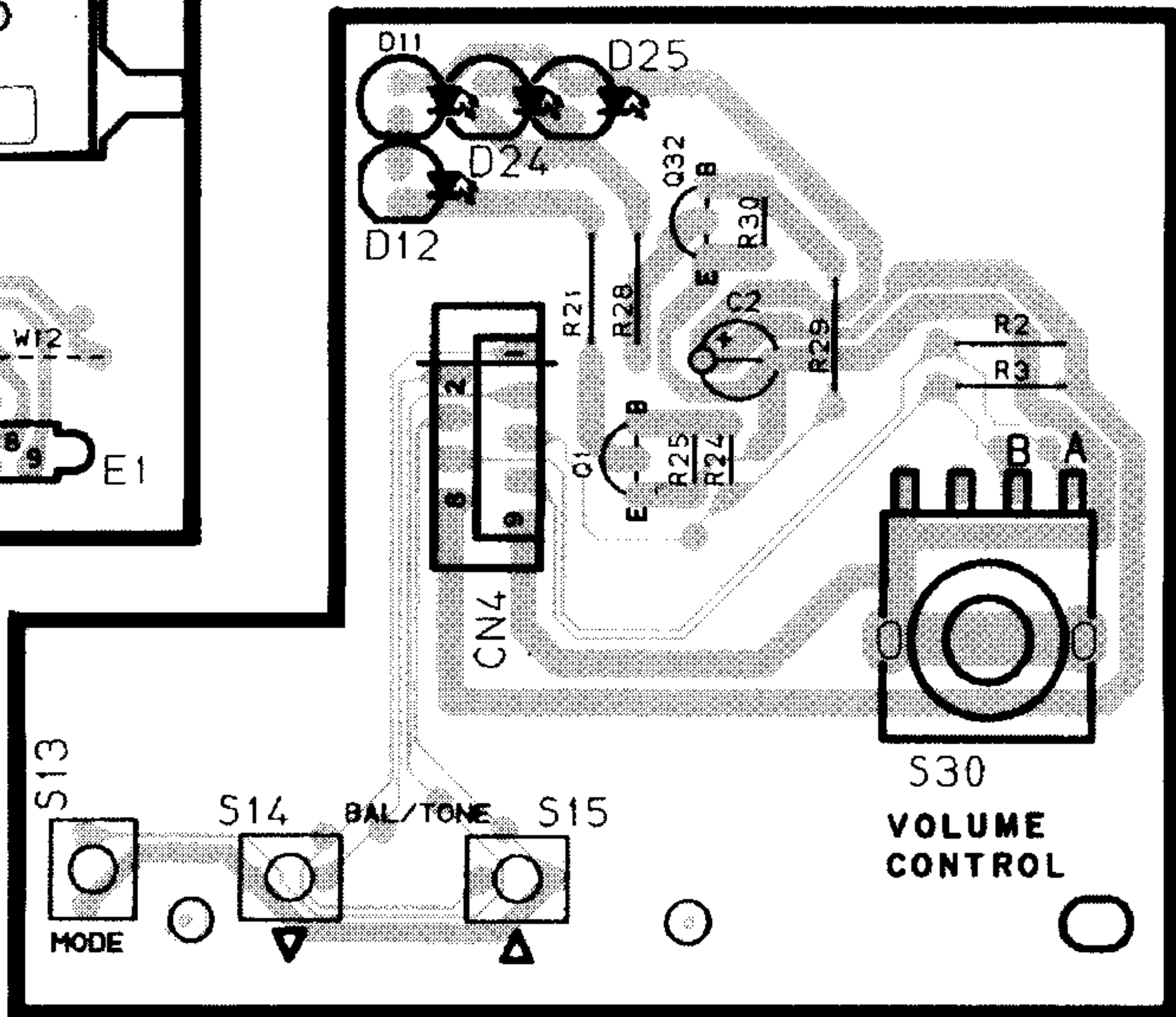


(X14-459X-XX) (A/4)

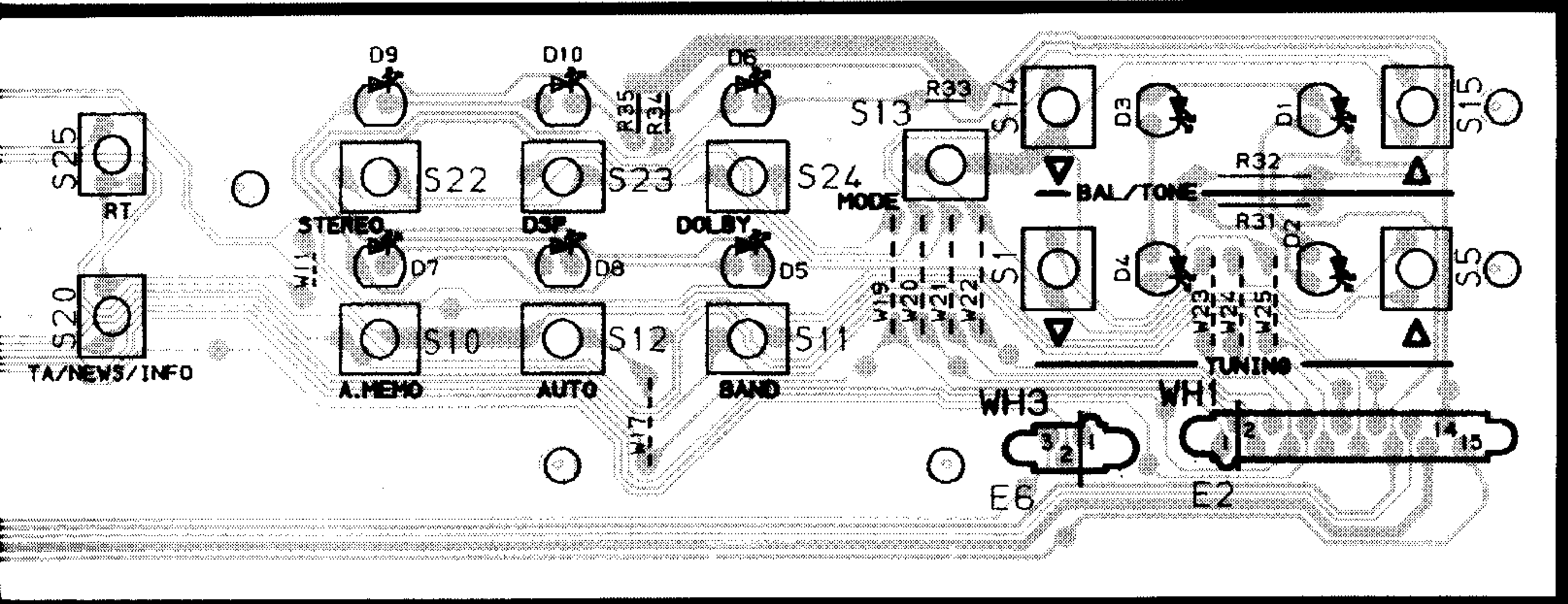
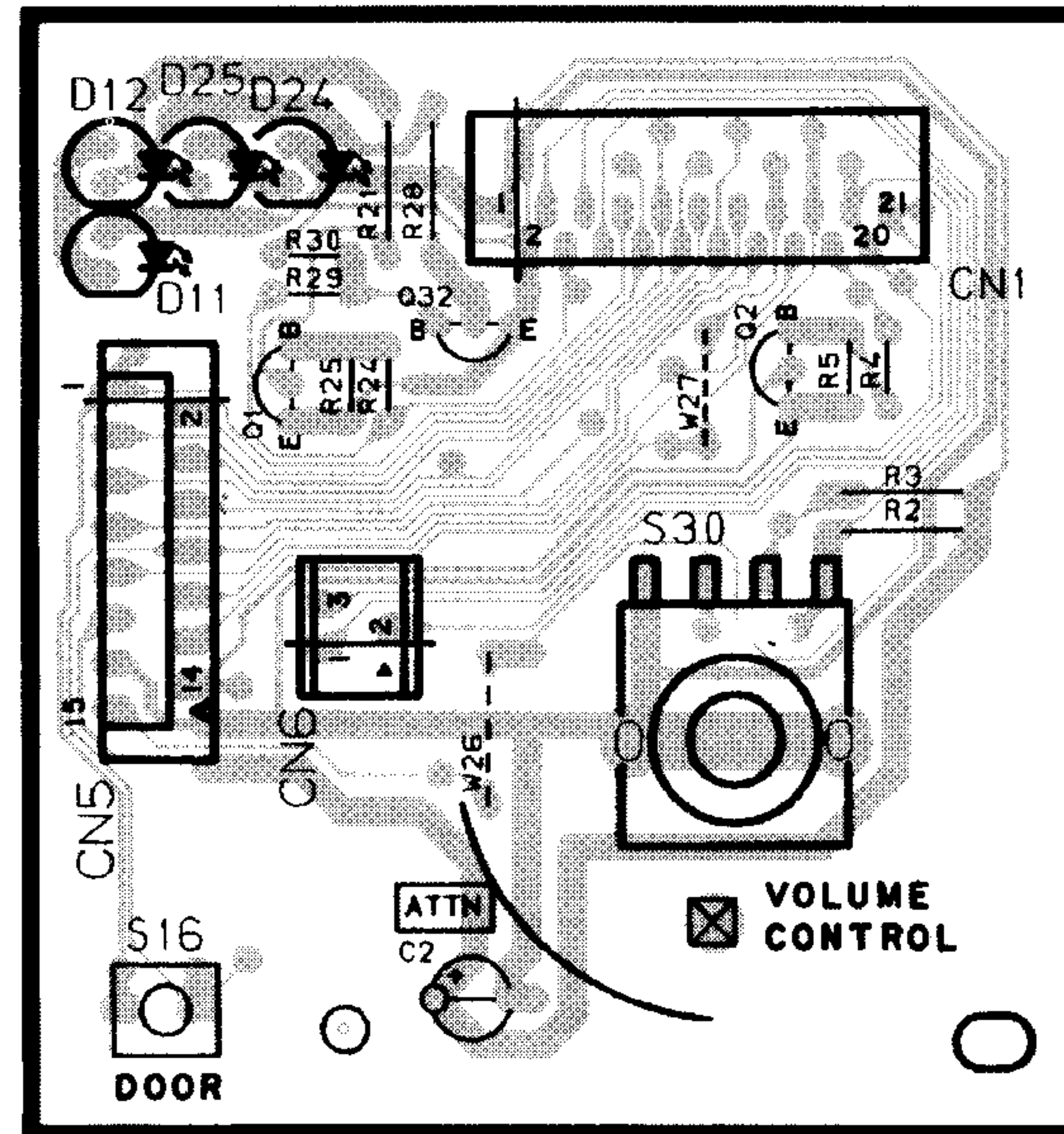




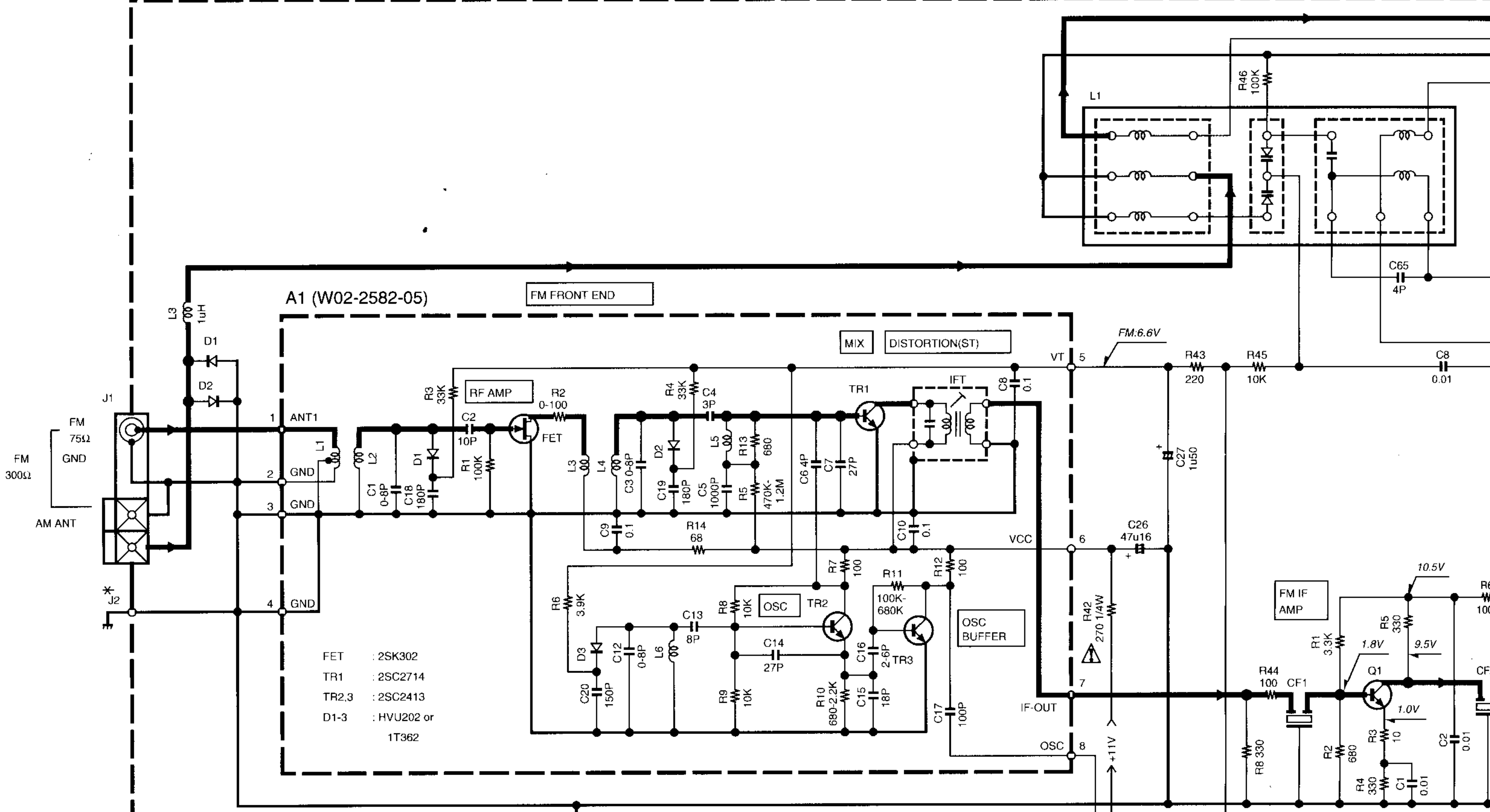
(X14-) (C/3)



(X14-) (C/3)



(X05-4670-XX) : C-V500/V550/V700/V770 TYPE



- FET : 2SK302
- TR1 : 2SC2714
- TR2,3 : 2SC2413
- D1-3 : HVU202 or 1T362

VT VOLTAGE

BAND	FREQ.	VT
FM	LF	1.6V
	HF	7.6V
AM	LF	1.4V
	HF	5.2V

LF: LOWEST FREQUENCY
HF: HIGHEST FREQUENCY

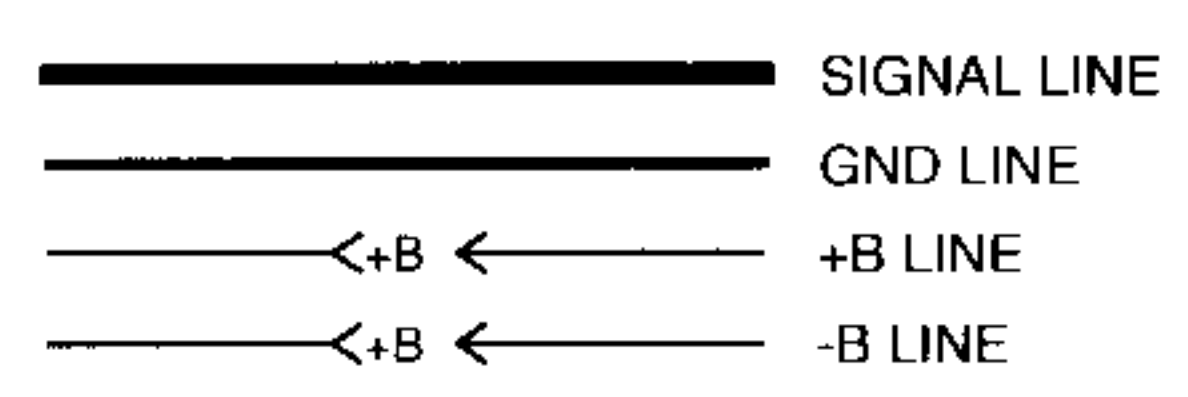
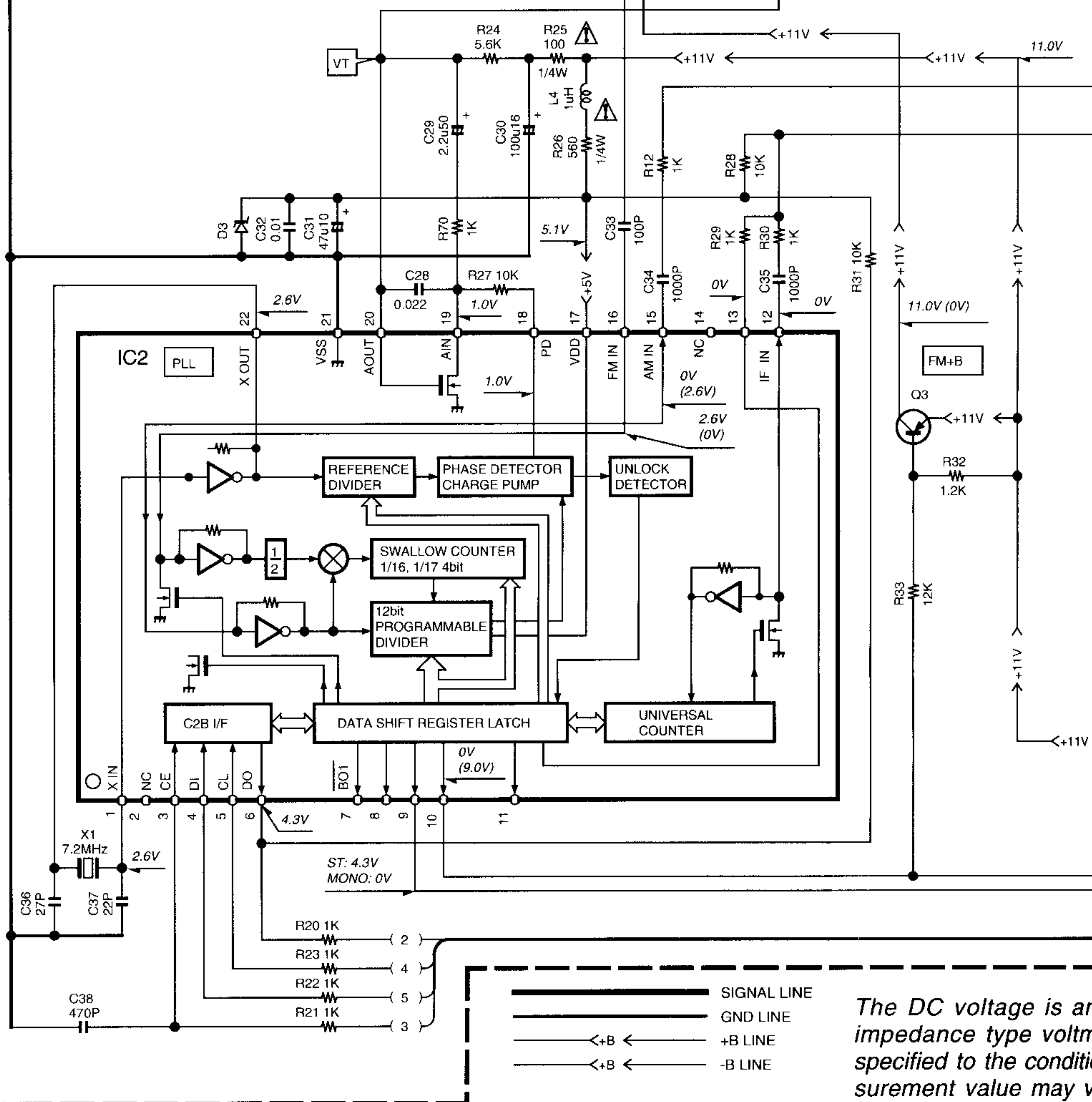
C-V500

DESTINATION		UNIT No.	A
COUNTRY	ABB.		
C-V500	Y	X05-4670-20	YES
C-V500	M	X05-4670-21	YES
C-V500	I	X05-4670-21	YES
AUSTRALIA	X	X05-4670-72	NO

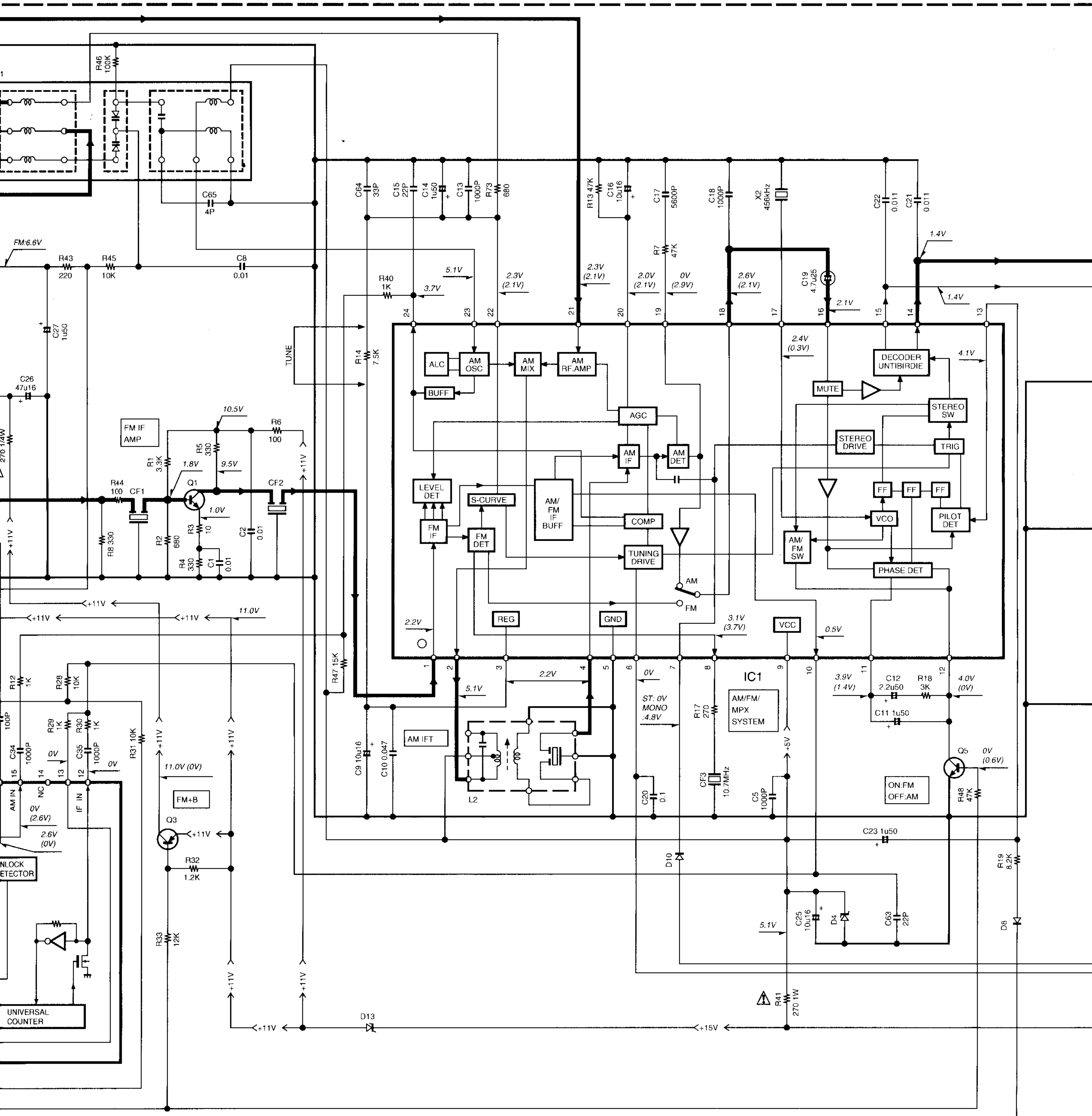
C-V700

DESTINATION		UNIT No.	A
COUNTRY	ABB.		
GENERAL MARKET	M	X05-4670-21	YES
MALAYSIA	I	X05-4670-21	YES
C-V770	C	X05-4670-21	YES
AUSTRALIA	X	X05-4670-72	NO

- IC1 : LA1832
- IC2 : LC72131
- IC4 : NJM4565M
- Q1 : 2SC2714(R,O)
- Q3,6 : 2SA1576A(R,S) or 2SA1586(Y,GR) or 2SB1218A(Q,R)
- Q5,9,10 : 2SC4081(R,S) or 2SC4116(Y,GR) or 2SD1819A(Q,R)
- Q7,8 : 2SD1757K or 2SD2114K
- D1,2,8 : 1SS133 or HSS104
- D3,4 : RD5.1ES(B2) or HZS5.1N(B2) or MTZJ5.1(B) or UZ-5.1BSB
- D10 : MA111
- D12 : RD3.3ES(B2) or HZS3.3N(B2) or MTZJ3.3(B) or UZ-3.3BSB
- D13 : RD2.7ES(B2) or HZS2.7N(B2) or MTZJ2.7(B) or UZ-2.7BSB



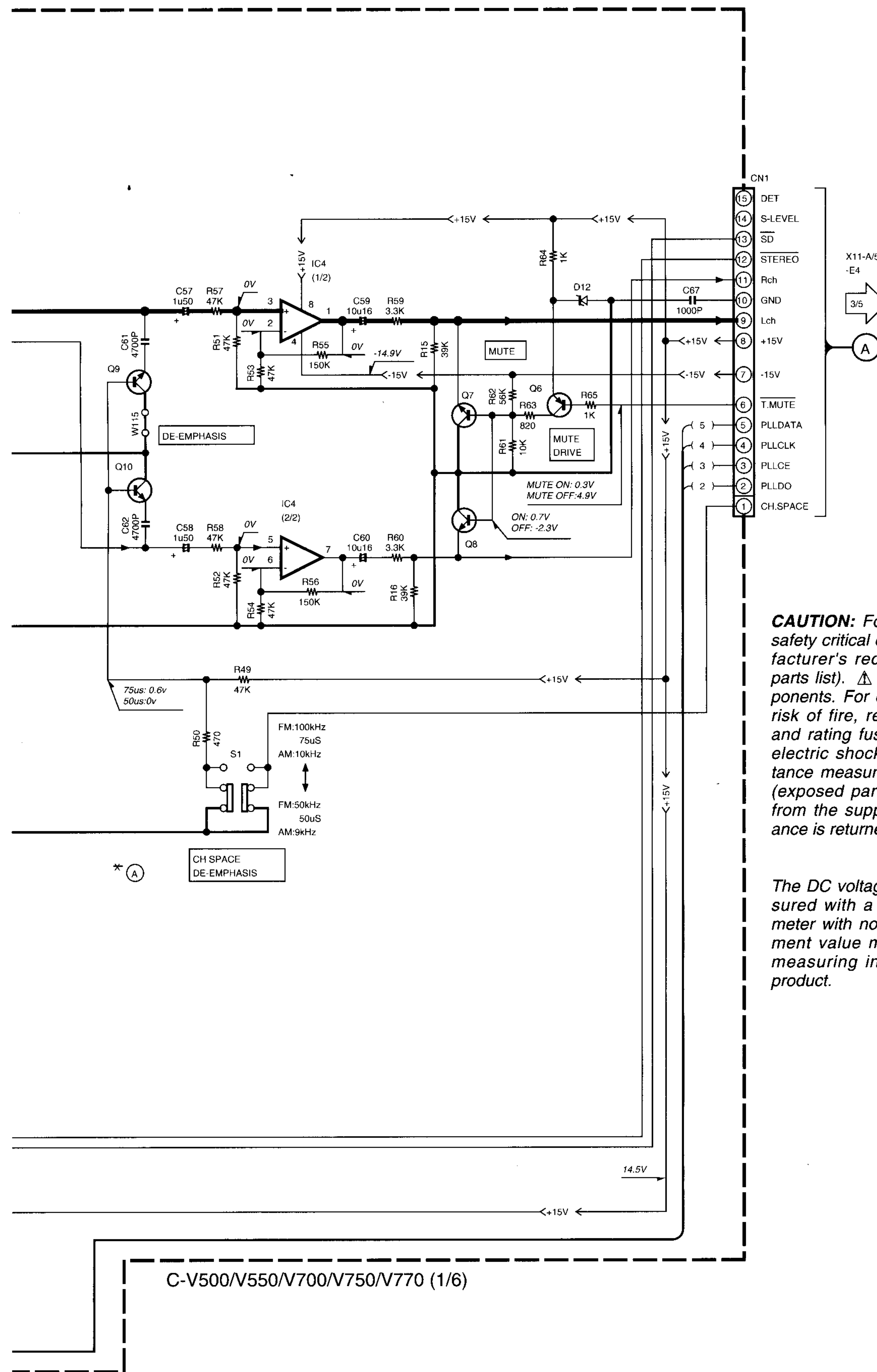
The DC voltage is an impedance type voltage measurement value may vary depending on the components used or on the power supply reading measured in the



- SIGNAL LINE
- GND LINE
- +B LINE
- -B LINE

The DC voltage is an actual reading measured with a high impedance type voltmeter as the AM/FM signal generator is specified to the conditions as shown in the list below. The measurement value may vary depending on the measuring instruments used or on the product. The value shown in () is actual reading measured in the AM mode.

MODE	CARRIER	MODULATION		ANT INPUT
		FREQUENCY	DEVIATION	
FM	98MHz	1kHz	STEREO 67.5kHz 7.5kHz(Pilot)	60dB
AM	1000(999)kHz	400Hz	MONO 30% MOD	60dB



CAUTION: For continued safety, replace safety critical components only with manufacturer's recommended parts (refer to parts list). Δ indicates safety critical components. For continued protection against risk of fire, replace only with same type and rating fuse(s). To reduce the risk of electric shock, leakage-current or resistance measurements shall be carried out (exposed parts are acceptably insulated from the supply circuit) before the appliance is returned to the customer.

The DC voltage is an actual reading measured with a high impedance type voltmeter with no signal input. The measurement value may vary depending on the measuring instruments used or on the product.

C-V500/V550/V700/V750/V770 (1/6)

C-V500/V550/V700/V750/V770

Y05-3380-10

KENWOOD

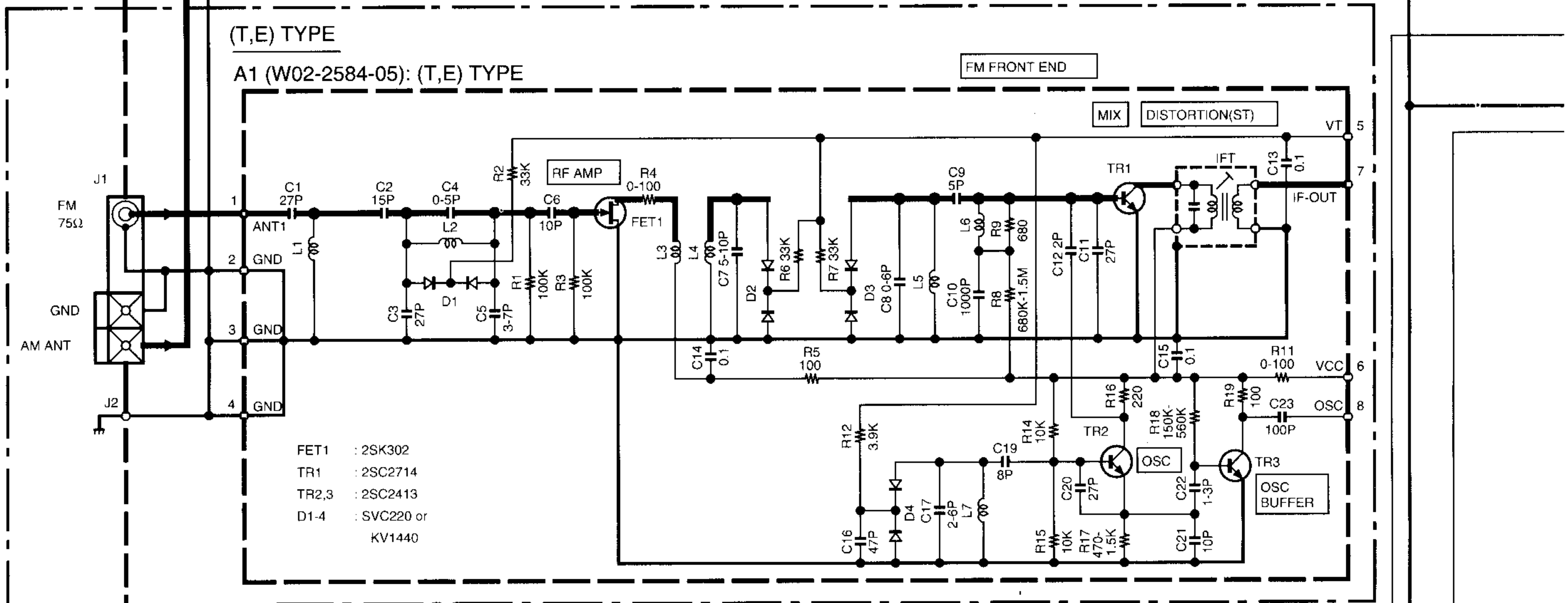
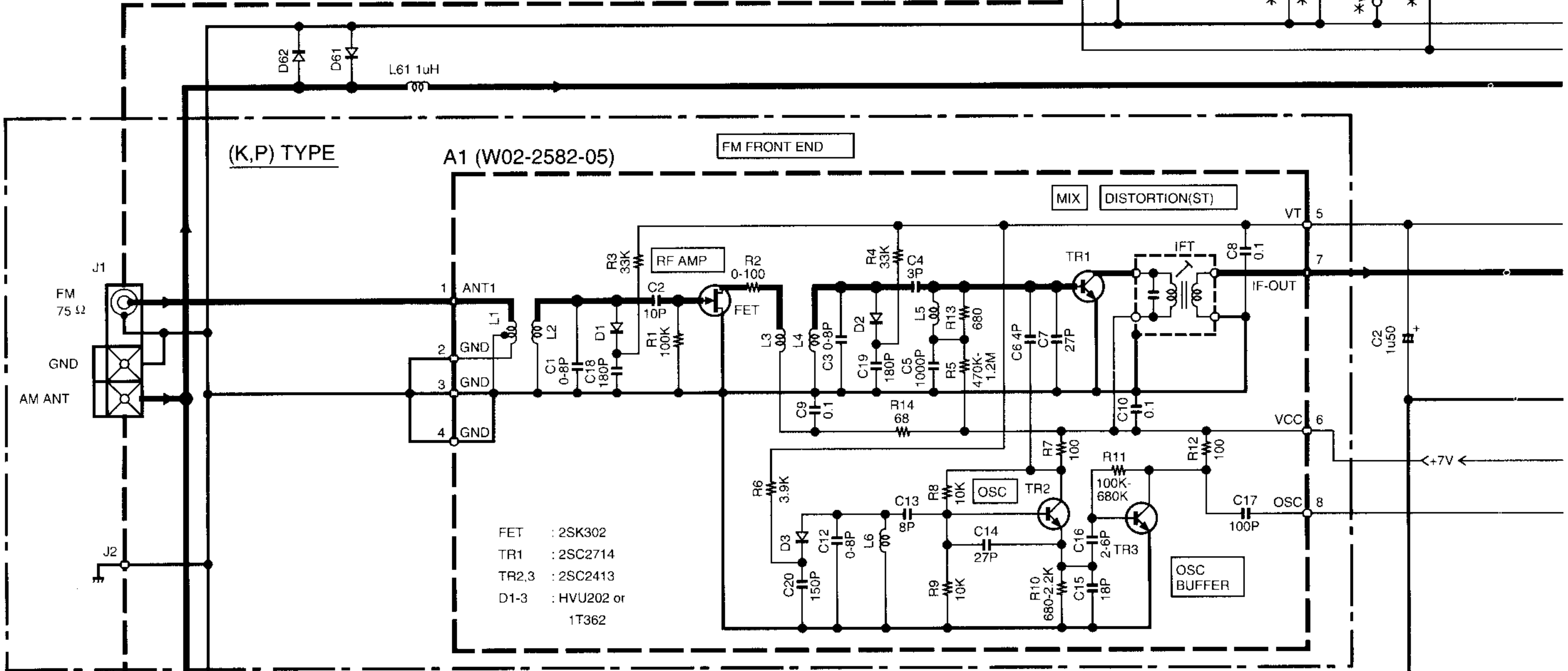
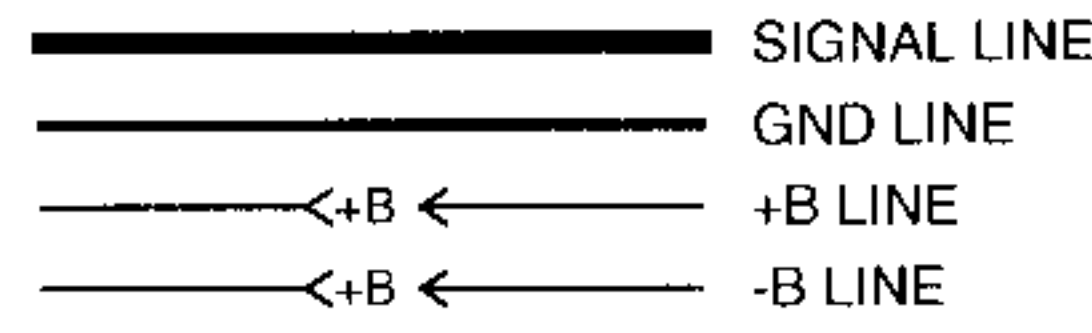
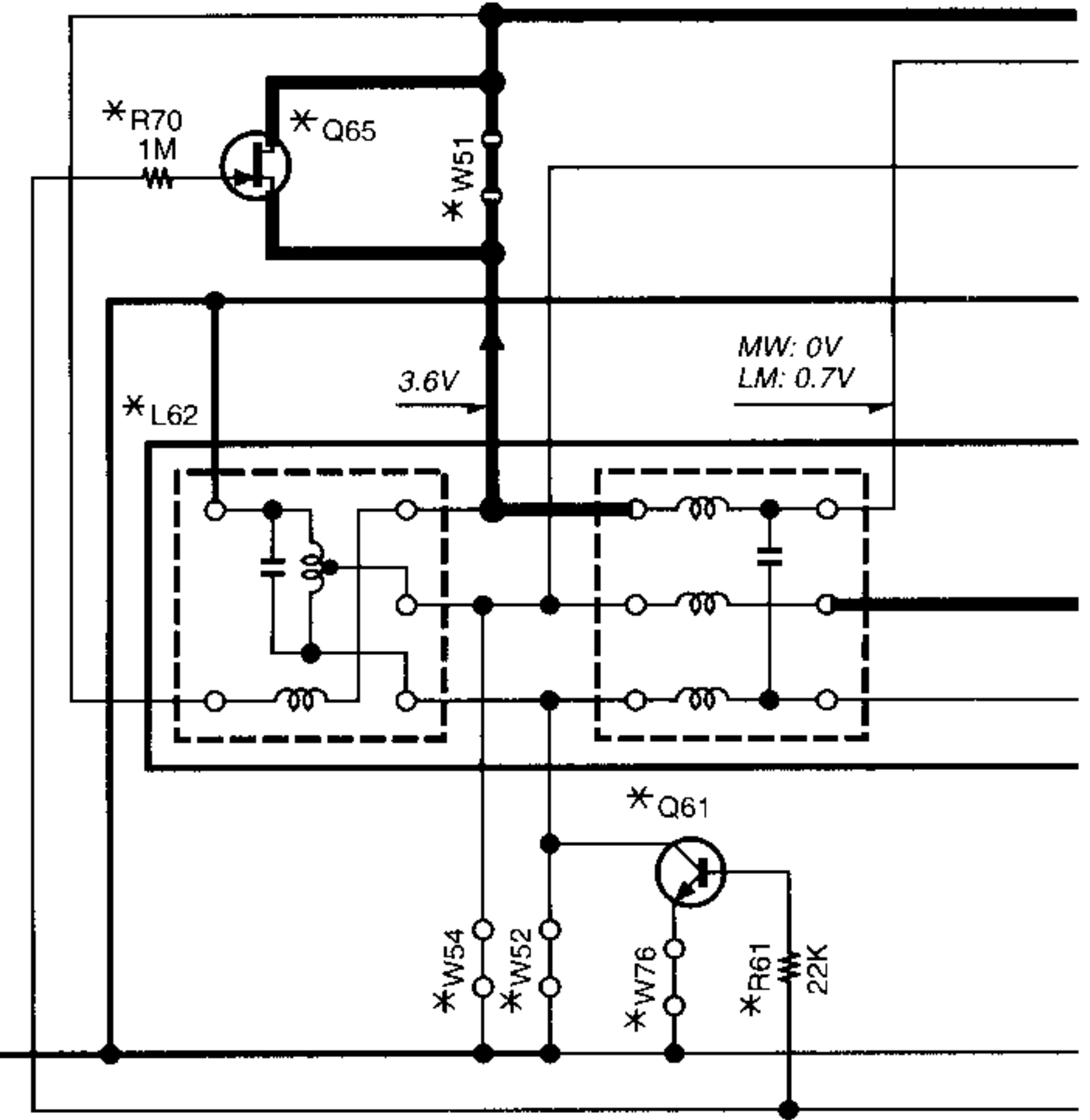
C-V750 (X05-468X-XX)

DESTINATION	COUNTRY	ABB.	UNIT No.	(A) - (C)	R3	R16, 20	R61-66, 68,70	C53, 54	C62, 63	C73	Q61-65	CF1,2	L62	W11	W6,13, 53,76	W51,52, 54,55
EUROPE	E		2-71	YES	1.8K	10	NO	0.027	NO	NO	NO	L72-0536 (MS3)	L39-1351	NO	NO	YES
U.K.	T		0-51				YES		YES		YES				YES	NO

C-V500 (X05-4680-10)

DESTINATION	COUNTRY	ABB.	UNIT No.	(A) - (C)	R3	R16, 20	R61-66, 68,70	C53, 54	C62, 63	C73	Q61-65	CF1,2	L62	W11	W6,13, 53,76	W51,52, 54,55
U.S.A.	K		0-12	NO	560	15	NO	0.033	NO	YES	NO	L72-0596 (MS2)	L39-1351	YES	NO	YES
CANADA	P															

(X05-468X-XX) C-V500/V750 (K,P,T,E) TYPE



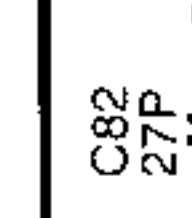
- IC1 : LA1836
- IC2 : LC72131
- Q1,2,4,31-34,61,62 : 2SC4081(R,S) or 2SC4116(Y,GR)
- Q3,64,81,103 : 2SA1576A(R,S) or 2SA1586(Y,GR)
- Q63 : 2SC2878(B)
- Q65 : 2SK302(Y,GR)
- Q101,102 : 2SD1757K

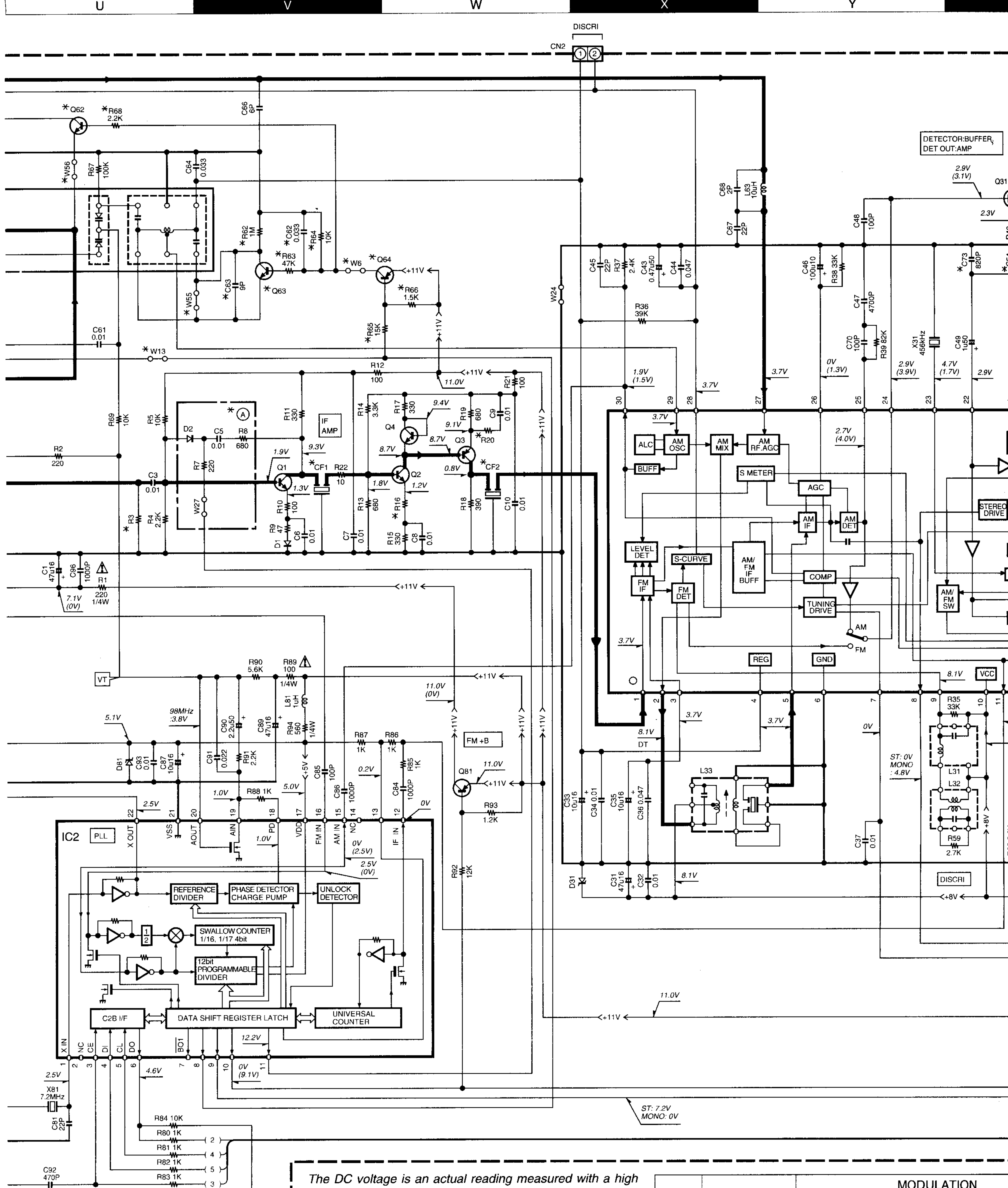
- D1,2,32,61,62 : 1SS133 or HSS104
- D31 : RD8.2ES(B2) or HZS8.2N(B2)
- D81 : RD5.1ES(B2) or HZS5.1N(B2)
- D101 : RD3.3ES(B2) or HZS3.3N(B2)
- D102 : RD2.7ES(B2) or HZS2.7N(B2)

VT VOLTAGE

BAND	FREQ.	VT
FM	LF	1.6V
	HF	7.8V
AM	LF	1.3V
	HF	5.0V

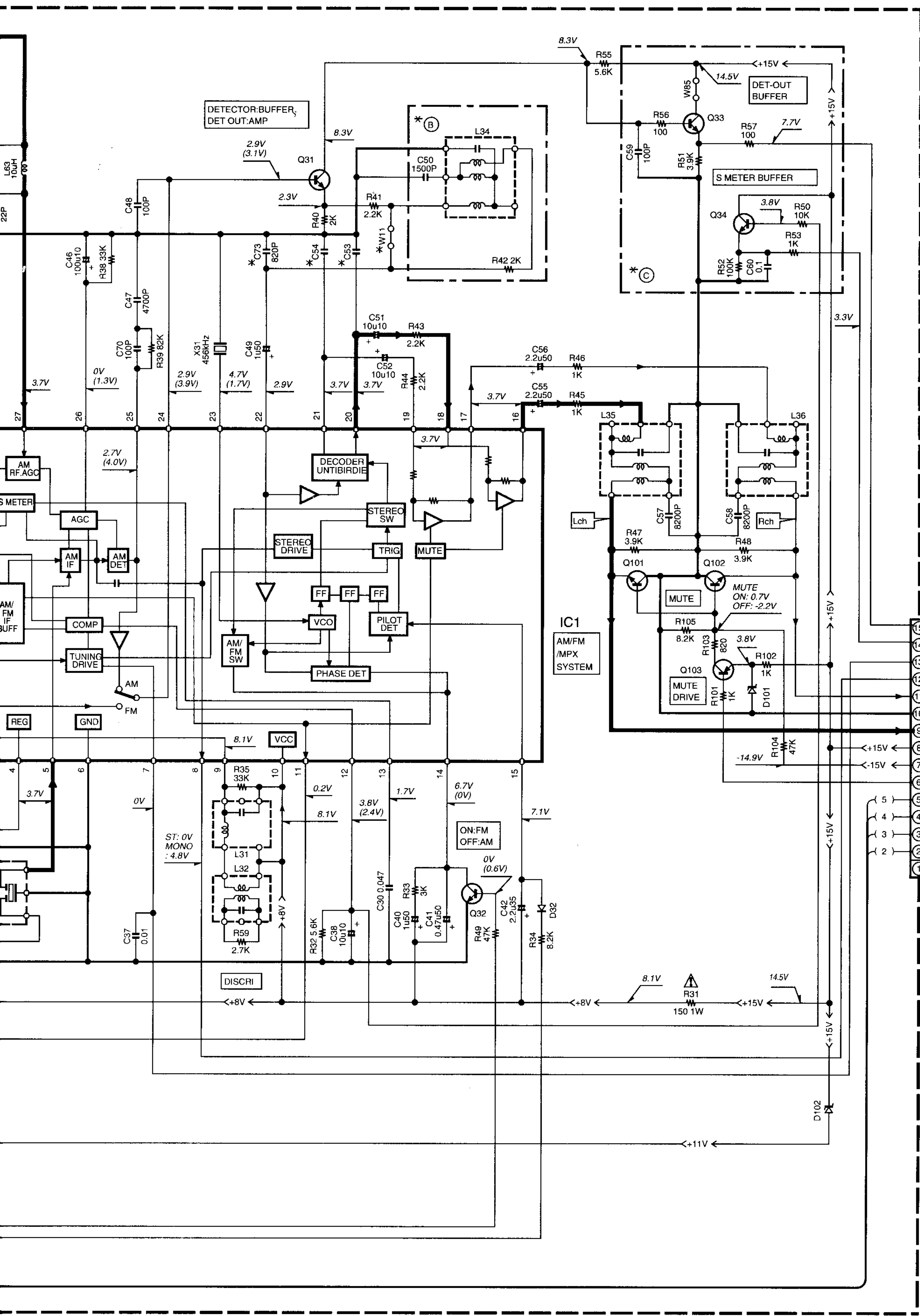
LF: LOWEST FREQUENCY
HF: HIGHEST FREQUENCY





The DC voltage is an actual reading measured with a high impedance type voltmeter as the AM/FM signal generator is specified to the conditions as shown in the list below. The measurement value may vary depending on the measuring instruments used or on the product. The value shown in () is actual reading measured in the AM made.

MODE	CARRIER	MODULATION	
		FREQUENCY	DEVIATION
FM	98MHz	1kHz	STEREO 67.5kHz 7.5
AM	1000(999)kHz	400Hz	MONO 30% MOD



CAUTION: For continued safety, replace safety critical components only with manufacturer's recommended parts (refer to parts list). Δ indicates safety critical components. For continued protection against risk of fire, replace only with same type and rating fuse(s). To reduce the risk of electric shock, leakage-current or resistance measurements shall be carried out (exposed parts are acceptably insulated from the supply circuit) before the appliance is returned to the customer.

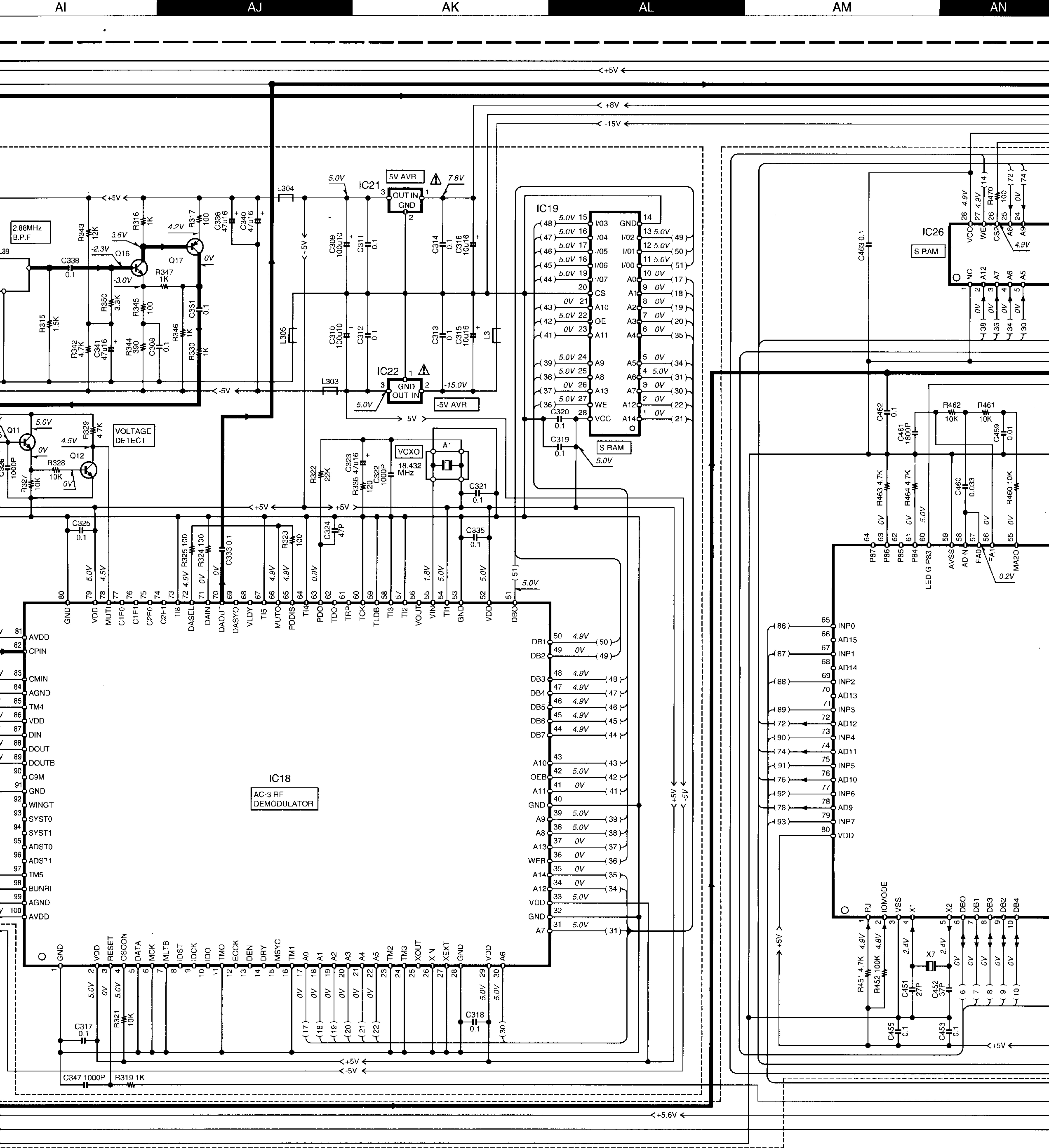
The DC voltage is an actual reading measured with a high impedance type voltmeter with no signal input. The measurement value may vary depending on the measuring instruments used or on the product.

C-V500/V550/V700/V750/V770 (K) (2/6)

CARRIER	MODULATION		ANT INPUT
	FREQUENCY	DEVIATION	
1000 (1000) kHz	1kHz	STEREO 67.5kHz 7.5kHz(Pilot)	60dB
999.999 kHz	400Hz	MONO 30% MOD	60dB

Y05-3380-10

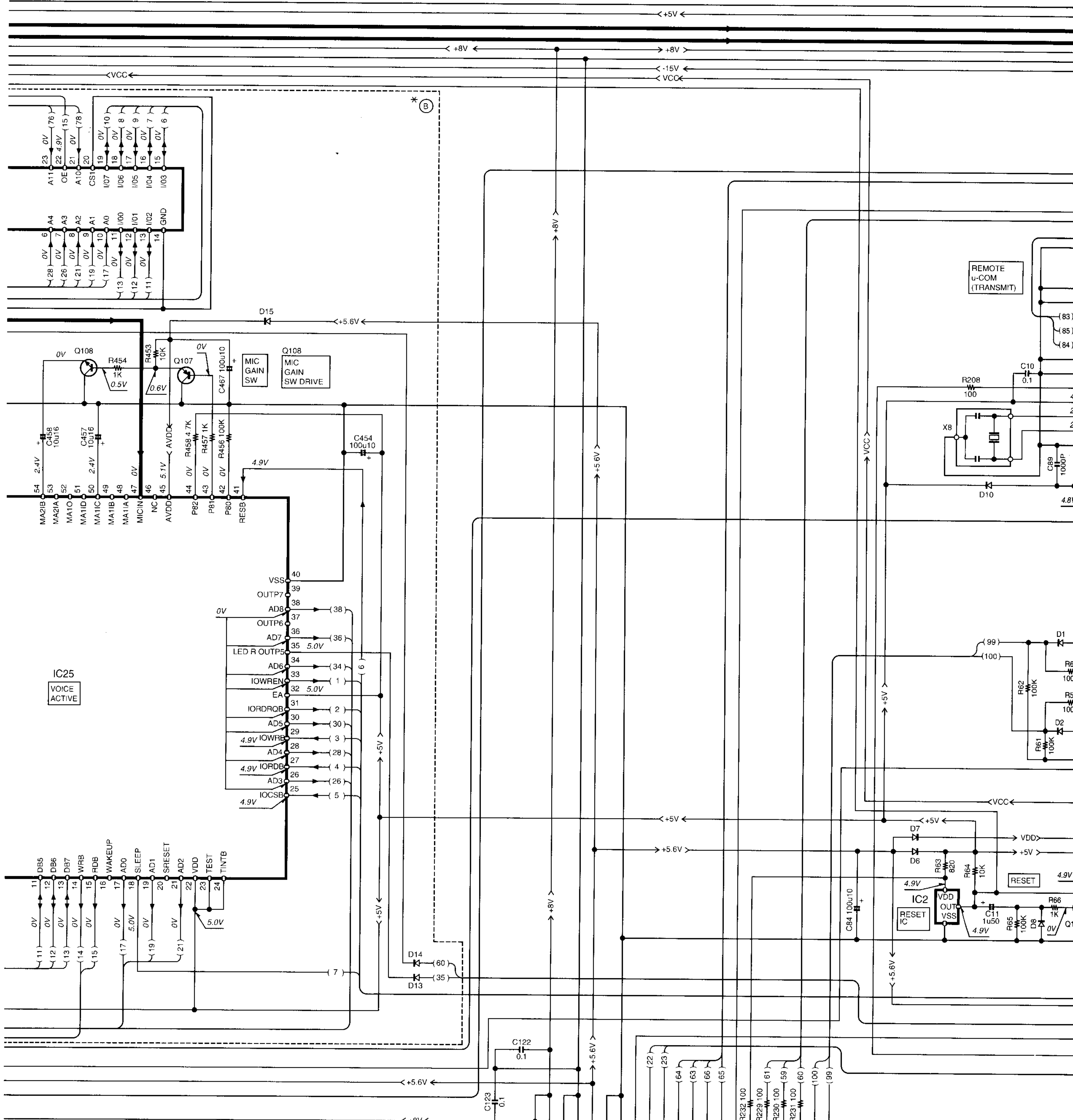
C-V500/V550/V700/V750/V770
KENWOOD



13,14,40,46	R26	R133	CN1, 7,8	CN9
NO	82 1/2W	4.7K	NO	YES

DESTINATION		UNIT No.	A	B - D	R11,12,37,42	R13,14,16,38,40,46	R26	R133	CN1, 7	CN8, 9
COUNTRY	ABB									
GENERAL MARKET	M	X08-2820-21	YES	NO	YES	NO	82 1/2W	4.7K	YES	NO
MALAYSIA	I	X08-2820-21	YES	NO	YES	NO	82 1/2W	4.7K	YES	NO
AUSTRALIA	X	X08-2820-72	YES	NO	YES	NO	82 1/2W	4.7K	YES	NO

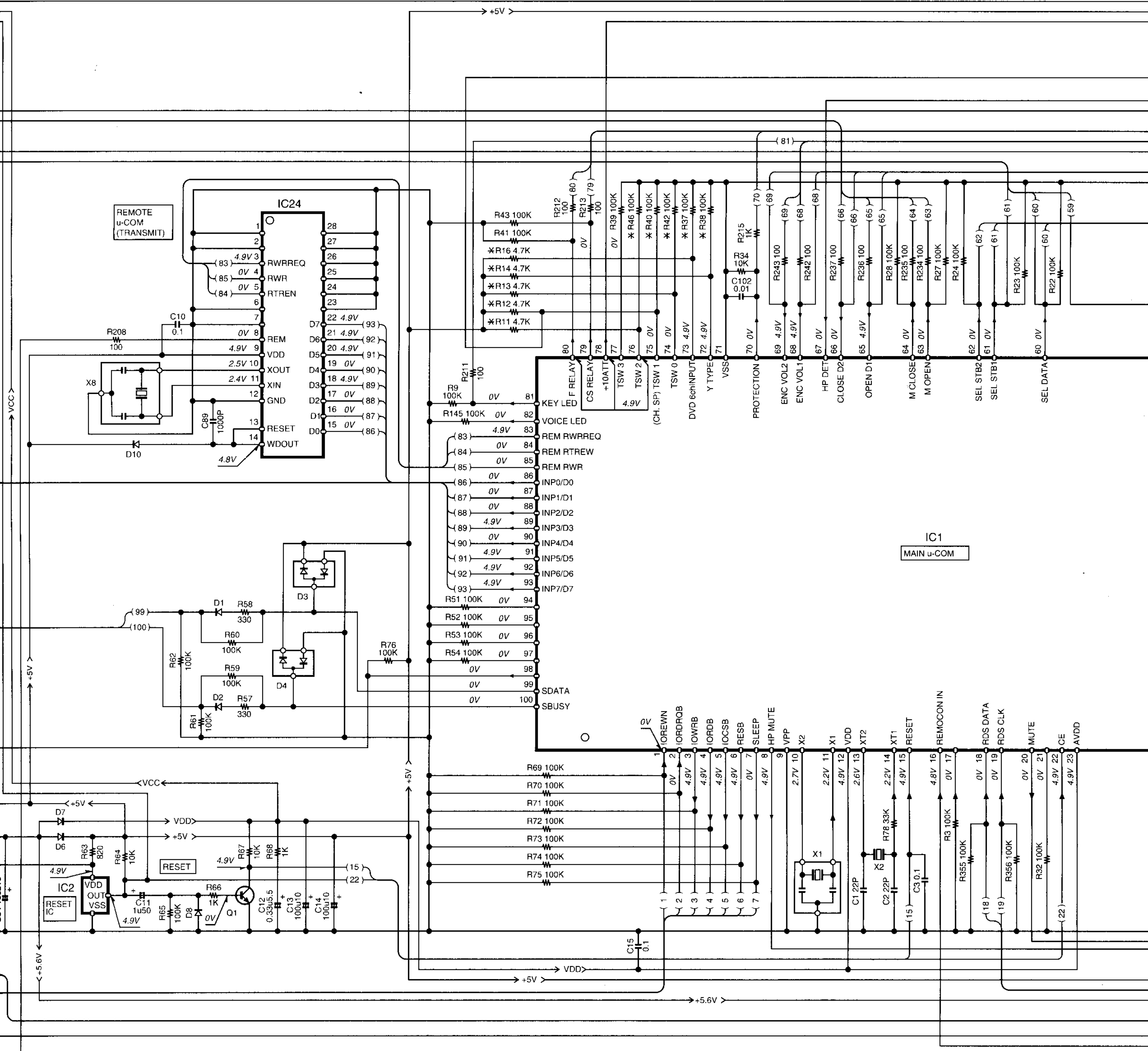
DESTINATION		UNIT No.	A	B - D	R11,14,16,38	R12,42	R13,40	R37,46	R26	R26	CN1, 8	CN7, 9
COUNTRY	ABB											
U.K.	T	X08-2770-51	NO	YES	NO	NO	YES	75 1/2W	47K	YES	NO	
EUROPE	E	X08-2772-71	NO	YES	NO	NO	YES	75 1/2W	47K	YES	NO	



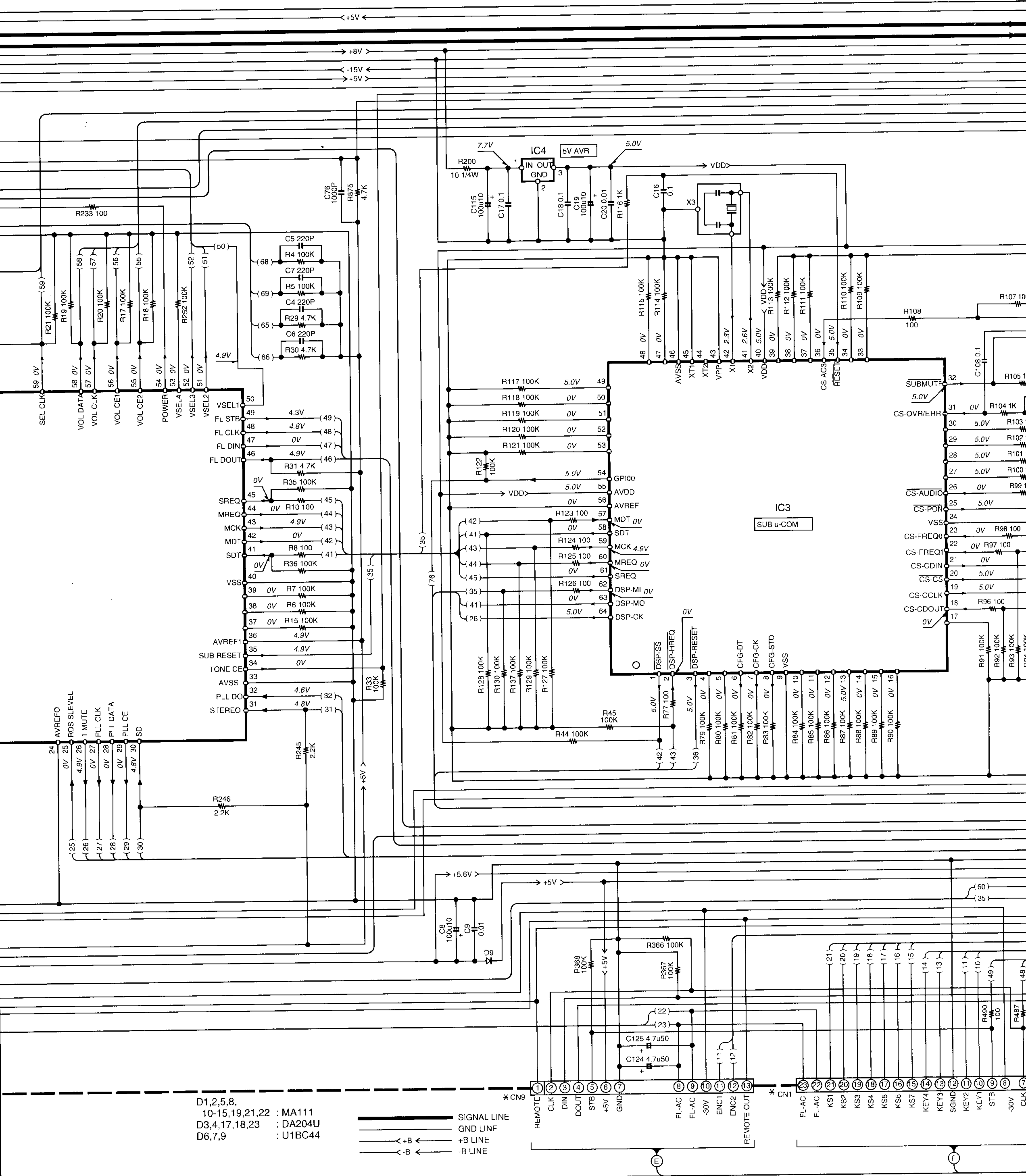
C-V770

DESTINATION COUNTRY	ABB	UNIT No.	(A)	(B)	(C)	(D)	R11,12,16,42	R13,14,37,38,40,46	R26	CN1,8	CN7,9
CHINA	C	X08-2823-01	YES	NO	YES	NO	YES	NO	82 1/2W	YES	NO

- IC1 : UPD78
- IC2 : S-806D
- IC3 : UPD78
- IC4,8,10,12,16,21 : TA7805
- IC5 : DSPF5
- IC6 : LH6425
- IC7 : TC7WU



IC1	: UPD78078GF-070	IC9	: SN761200N	IC20	: NJM4565M	Q1,11,12,108	: 2SC4081(R,S) or 2SC4116(Y,GR) or 2SD1819A(Q,R)	Q107	: 2SA1576A(R,S) or 2SA1586(Y,GR) or 2SB1218A(Q,R)
IC2	: S-806D-Z	IC11	: TC74HCU04AF	IC22	: TA79005S	Q13,15,16	: 2SC4215(Y)	Q109,110	: 2SC3115(D27,28)
IC3	: UPD78016FGC530	IC13	: NJM4580ED	IC23	: SAA6579	Q14,17	: 2SA1577(Q,R)		
IC4,8,10,12,16,21	: TA7805S	IC15	: CS4226-KQ	IC24	: UPD17215GT-737				
IC5	: DSPF56009FJ81	IC17	: TC7SU04FU	IC25	: RF5S830-0021				
IC6	: LH64256CK-70	IC18	: PM4007A	IC26	: HM9264BLFP10L				
IC7	: TC7WU04FU	IC19	: HM62256BLFP-8T	IC77	: NJM2100M				



D1,2,5,8,
10-15,19,21,22 : MA111
D3,4,17,18,23 : DA204U
D6,7,9 : U1BC44

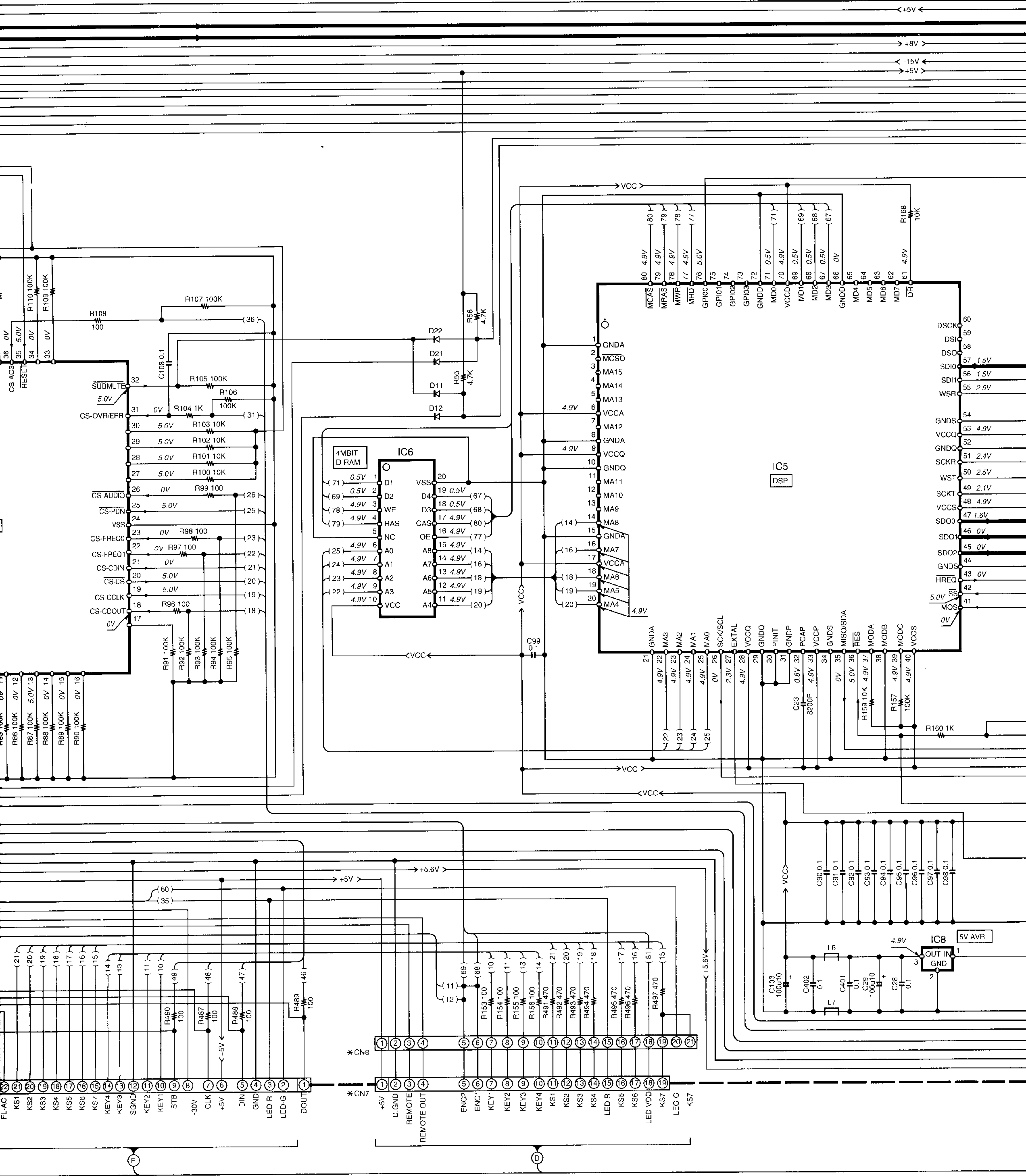
— SIGNAL LINE
- - - GND LINE
-B ← +B LINE
-B ← -B LINE

* CN9

* CN1

(E)

(F)



<+5V <

>+8V >

<-15V <

>+5V >

>VCC >

IC5
DSP

IC6
4MBIT
D RAM

IC8
5V AVR

*CN8

*CN7

>VCC >

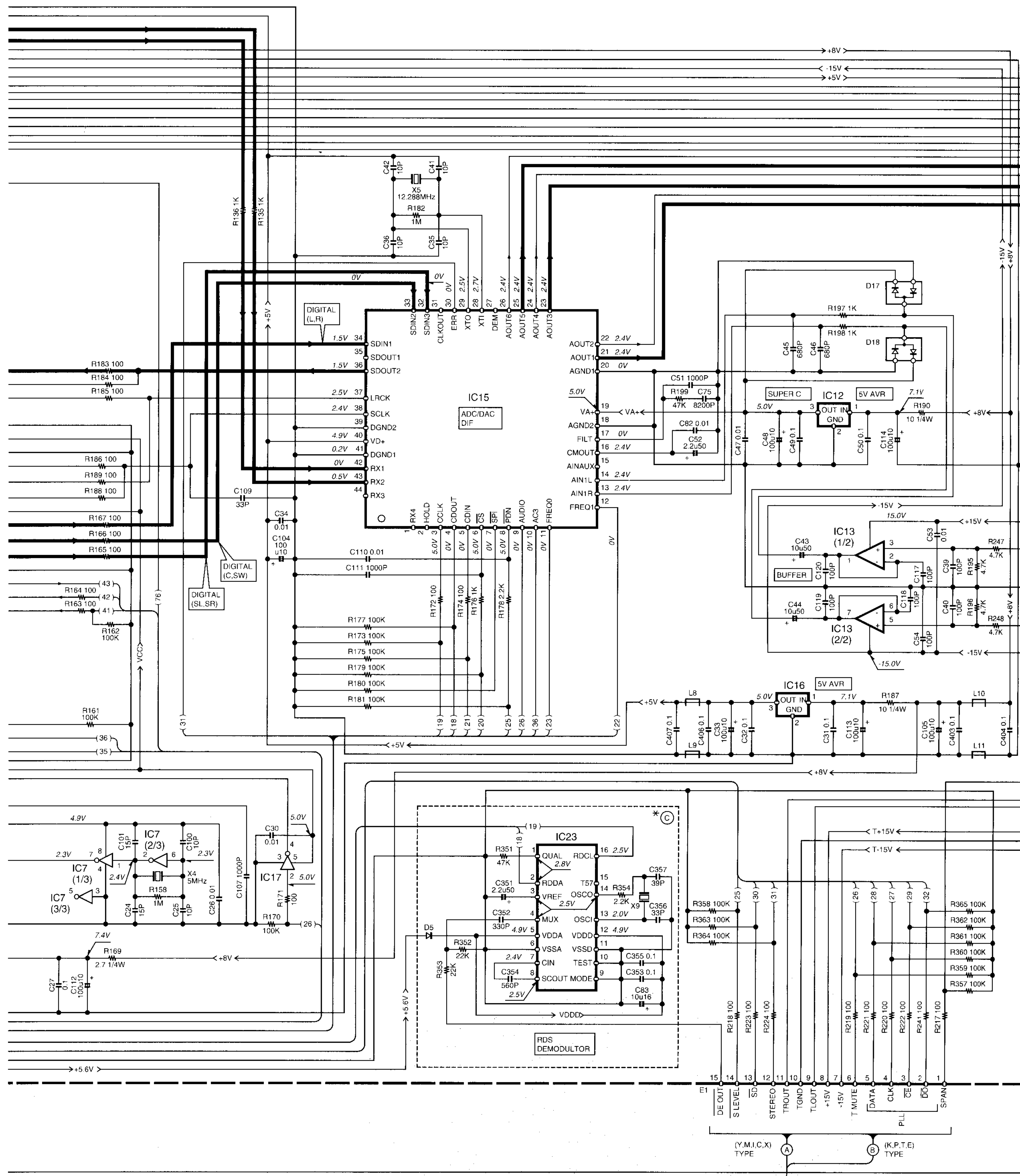
<VCC <

>+5.6V >

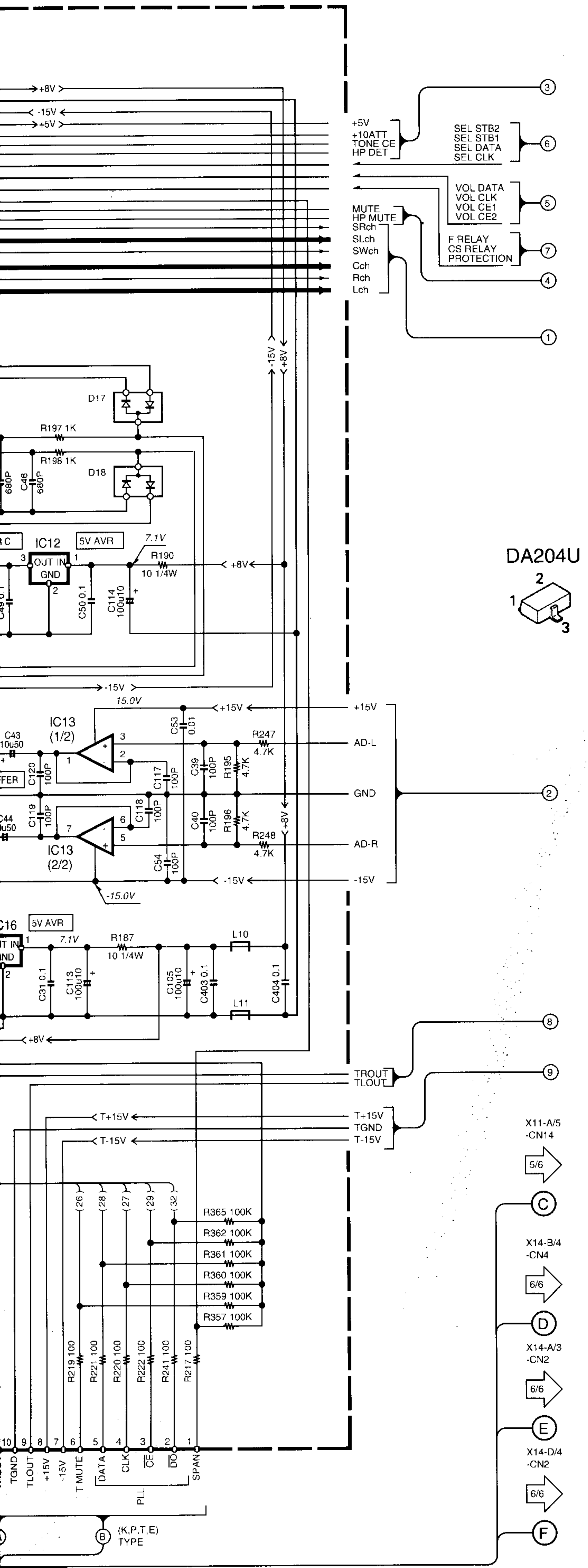
<+5.6V <

(T)

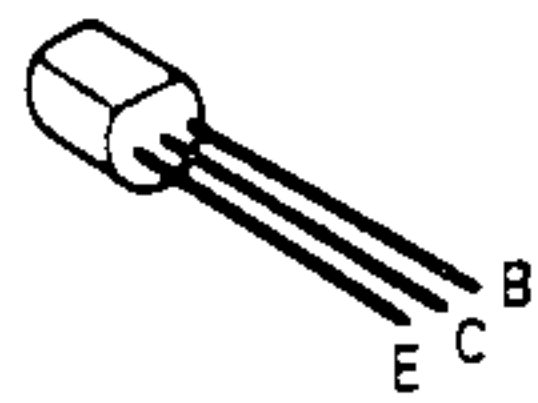
(D)



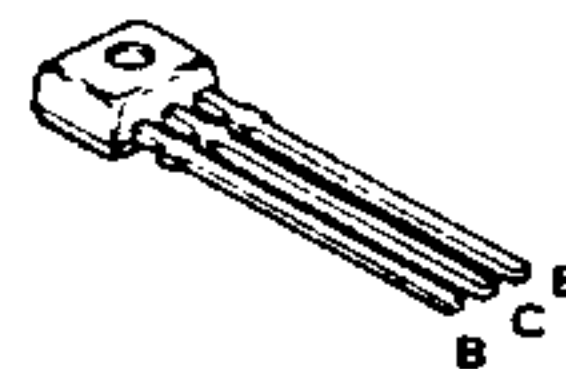
WH1



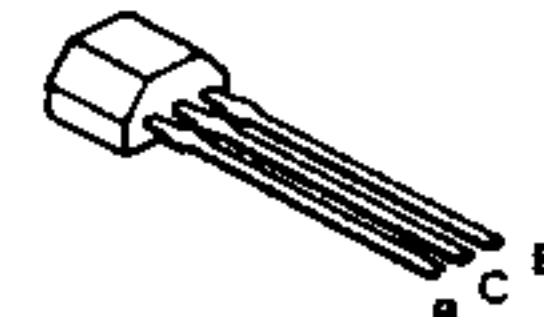
2SC3940A



2SA1175
2SC2785

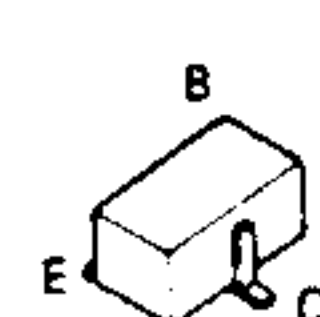


2SA1048
2SC1740S
2SC2458

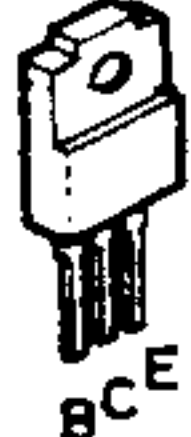


2SA1586
2SB1218A
2SC2714
2SC3115
2SC4081
2SC4116

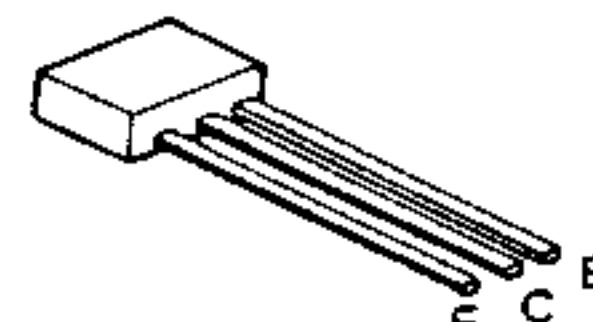
2SC4215
2SD1819A
2SD2114K



2SA1535A
2SD2061



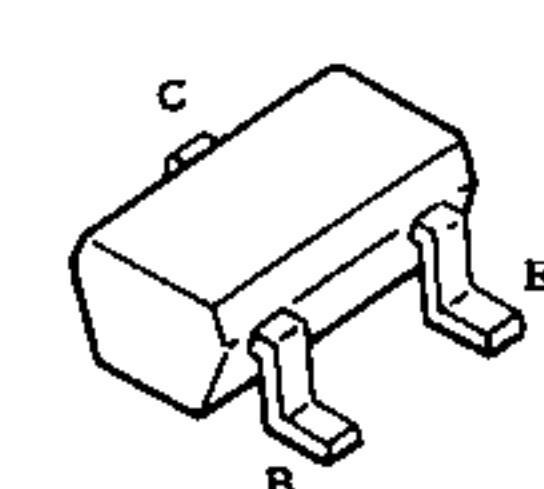
2SA1309A
2SC3311A



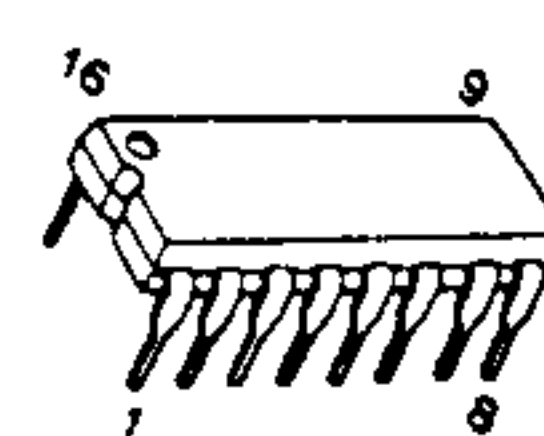
2SD2012



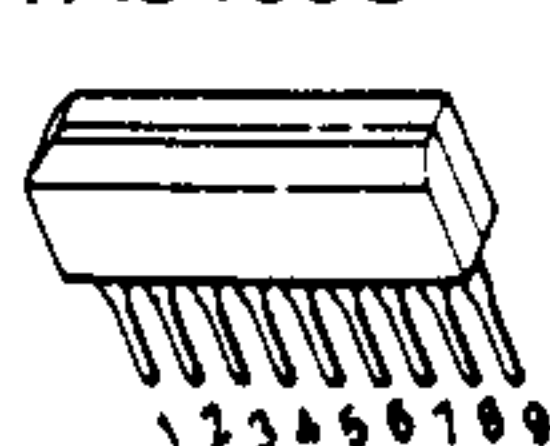
2SD1757K



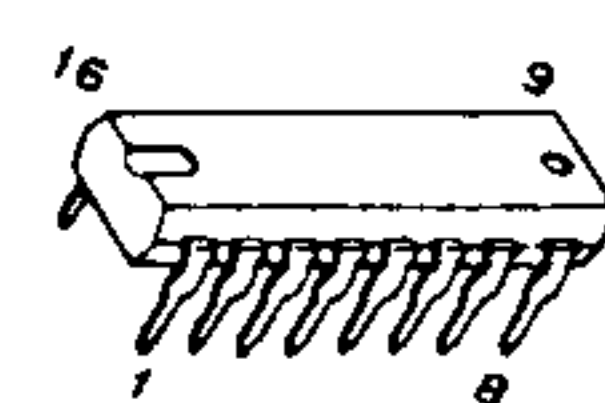
TC9184P



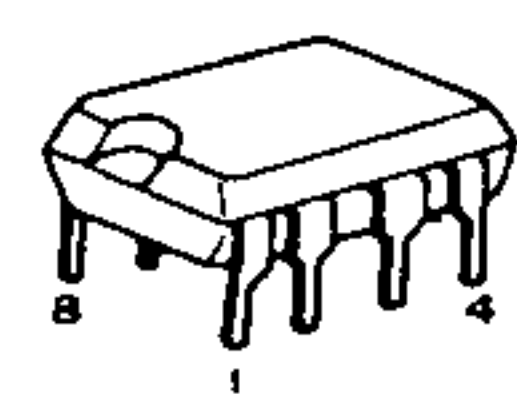
TA8409S



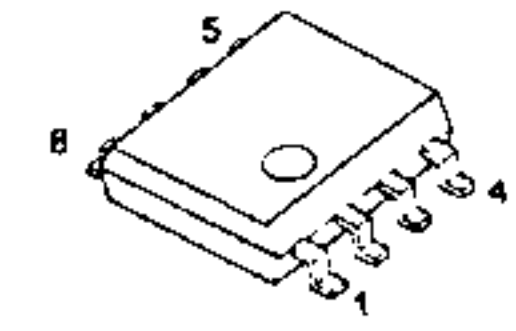
SAA6579
SN761200N



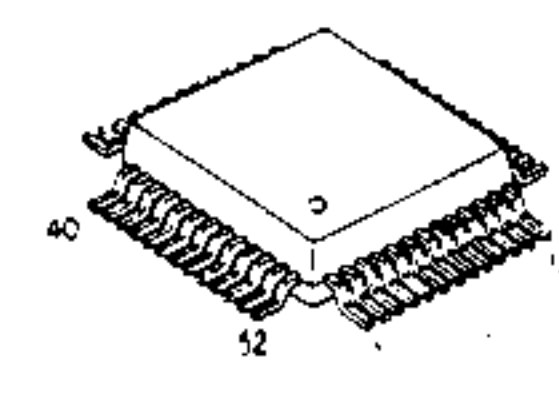
NJM4580L-D



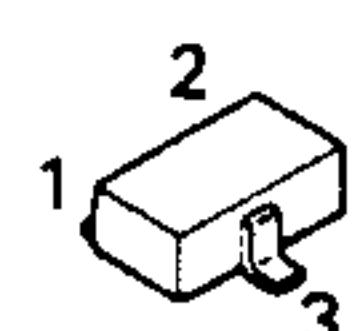
NJM4565M
NJM4580ED



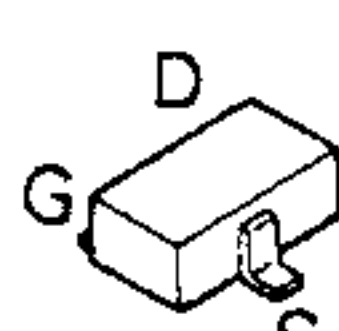
UPD16311



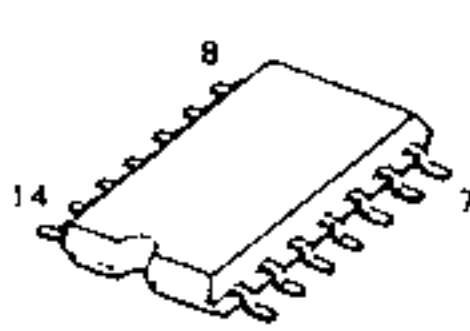
DA204U



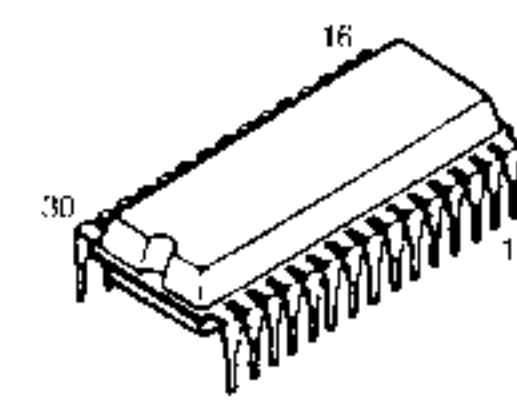
2SK302



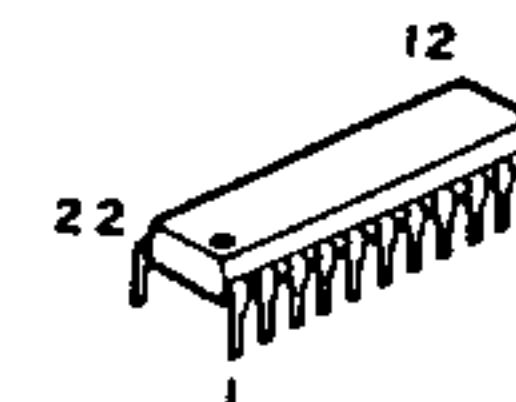
TC74HCU04AF



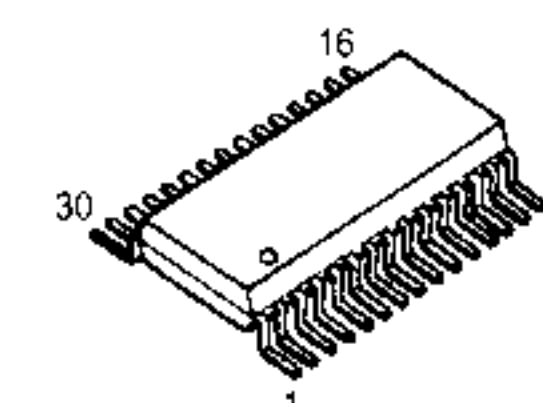
LA1836



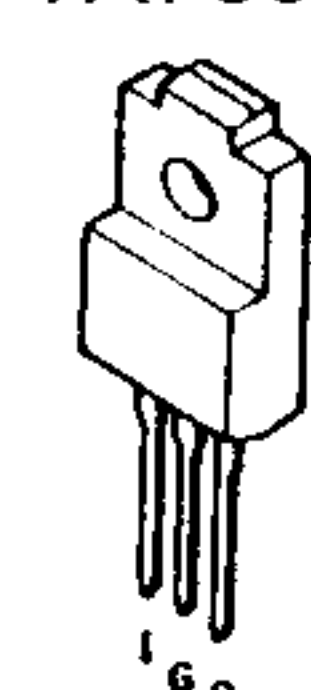
LC72131



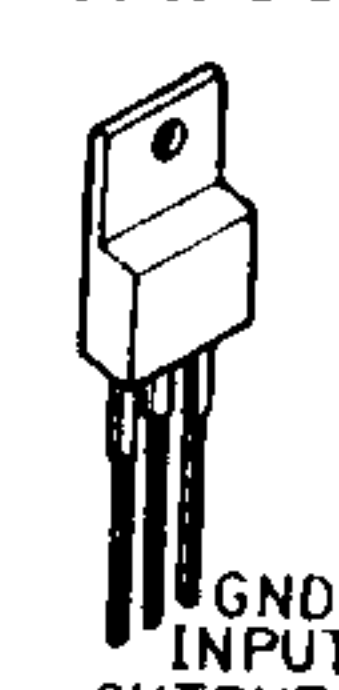
NJU7311AM
NJU7313AM



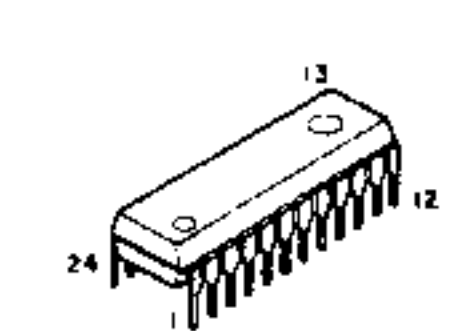
TA7805S



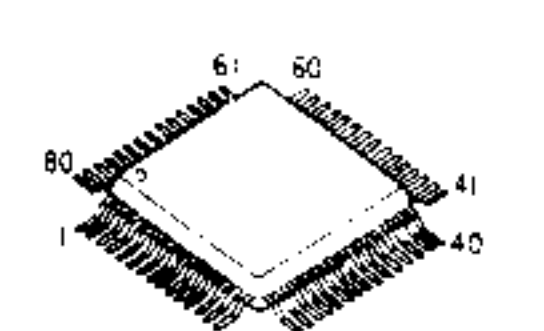
TA79005S



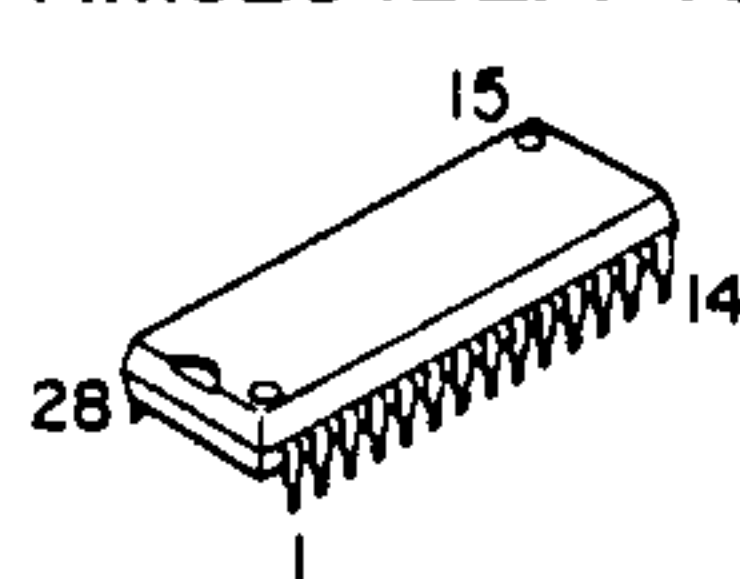
LA1832



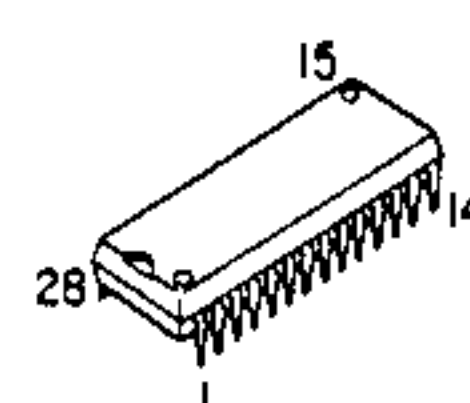
DSPF56009FJ81



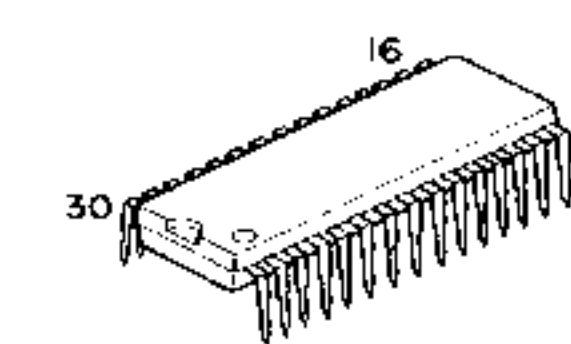
HM9264BLFP10L



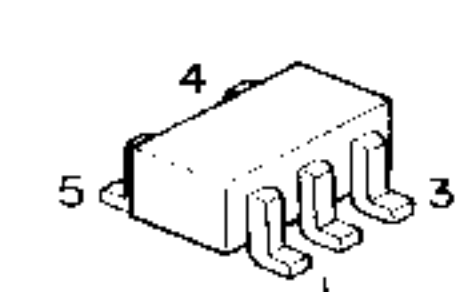
NJU7312AL
NJU7313AL



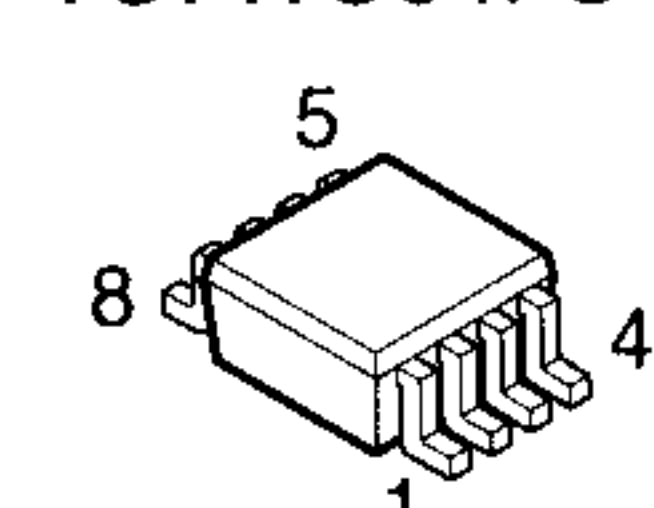
LC7536R



TC7SU04FU



TC7WU04FU



CAUTION: For continued safety, replace safety critical components only with manufacturer's recommended parts (refer to parts list). Δ indicates safety critical components. For continued protection against risk of fire, replace only with same type and rating fuse(s). To reduce the risk of electric shock, leakage-current or resistance measurements shall be carried out (exposed parts are acceptably insulated from the supply circuit) before the appliance is returned to the customer.

The DC voltage is an actual reading measured with a high impedance type voltmeter with no signal input. The measurement value may vary depending on the measuring instruments used or on the product.

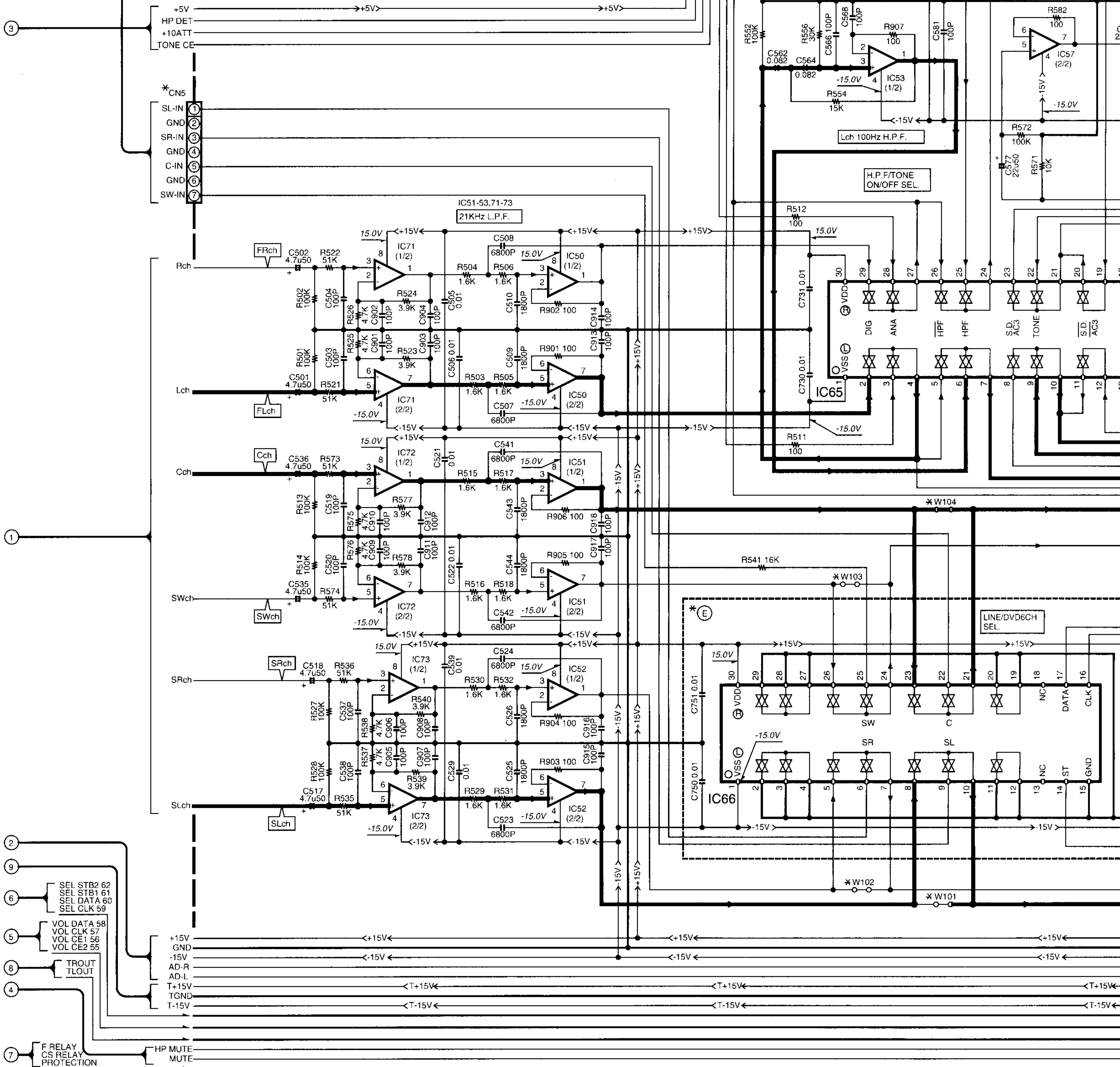
(X08-2XXX-XX) (2/2)

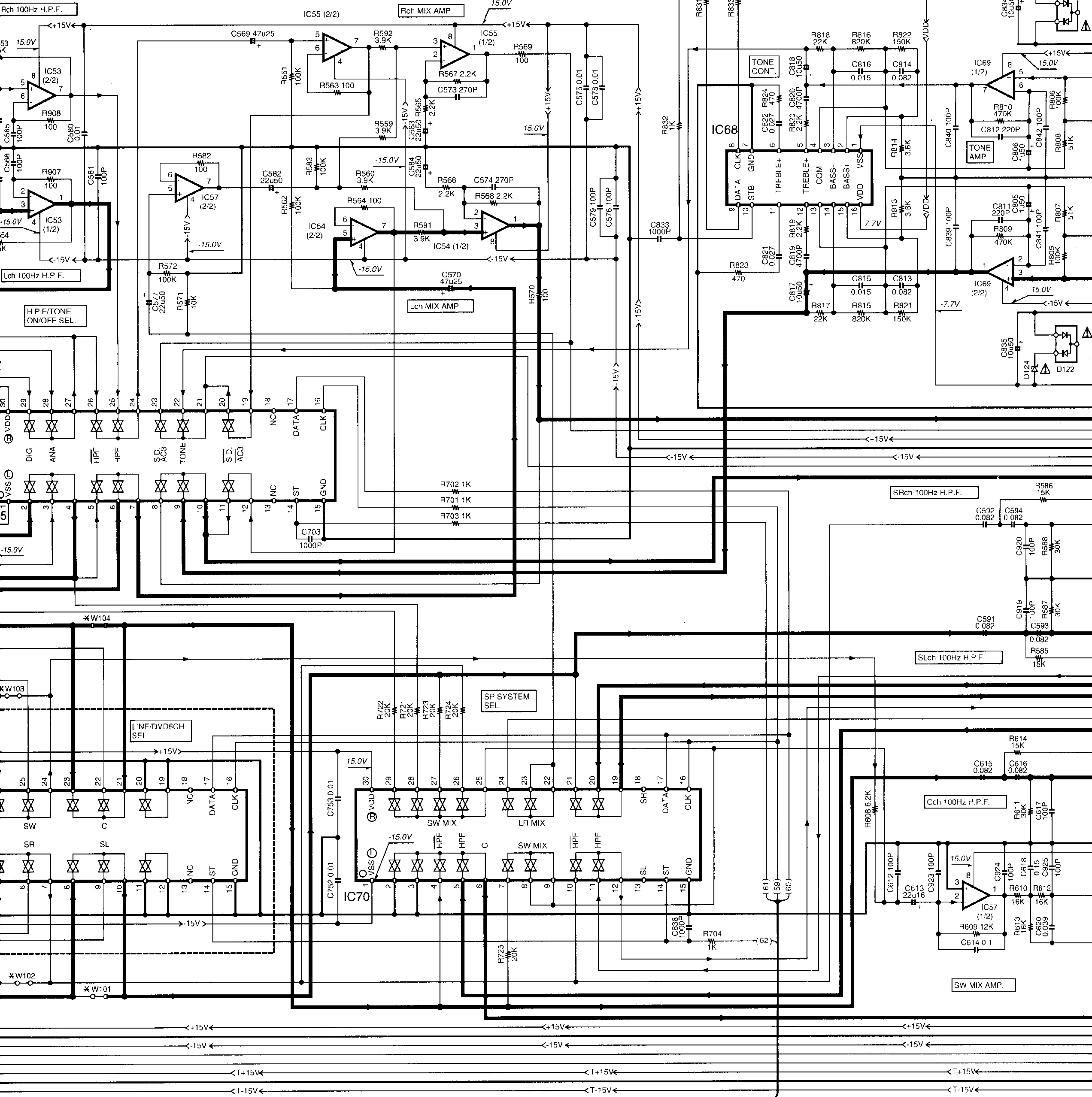
IC50-64,67,69,71-73 : NJM4580ED
 IC65,66 : NJU7311AM
 IC68 : TC9184P
 IC70 : NJU7313AM
 IC74-76 : LC7536R

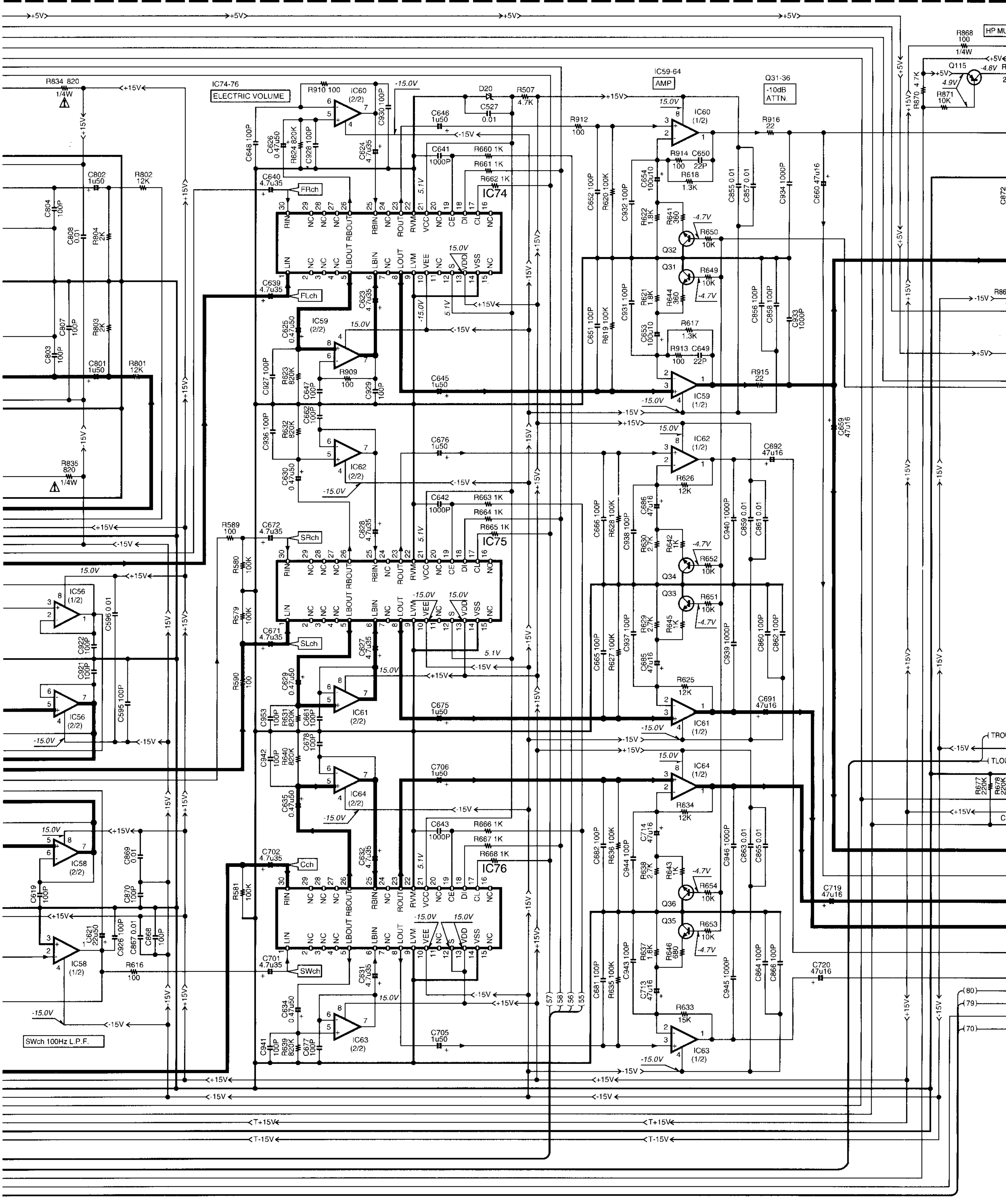
Q31-36,111-114 : 2SC2878(B)
 Q106,115 : 2SA1577(Q,R)

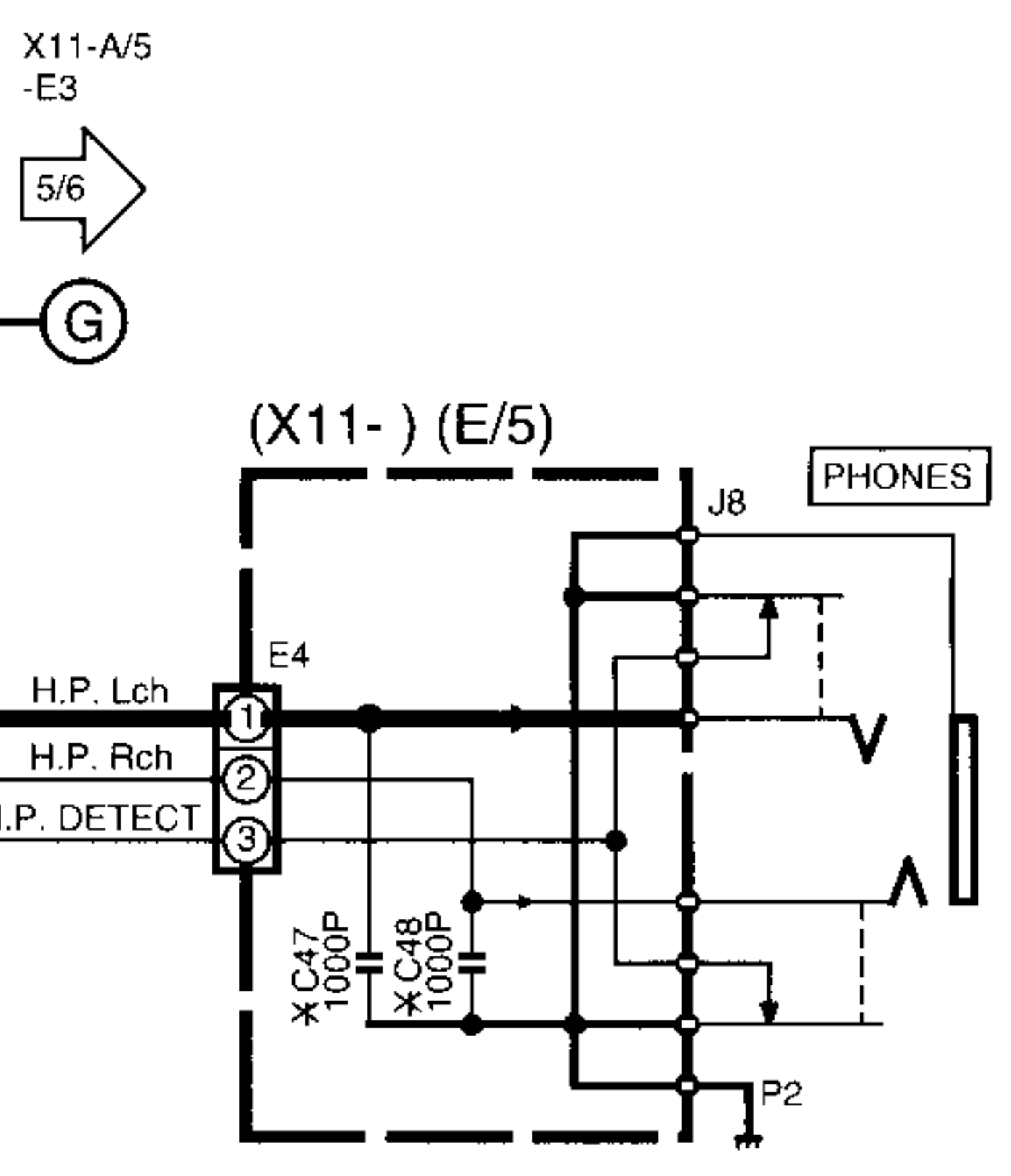
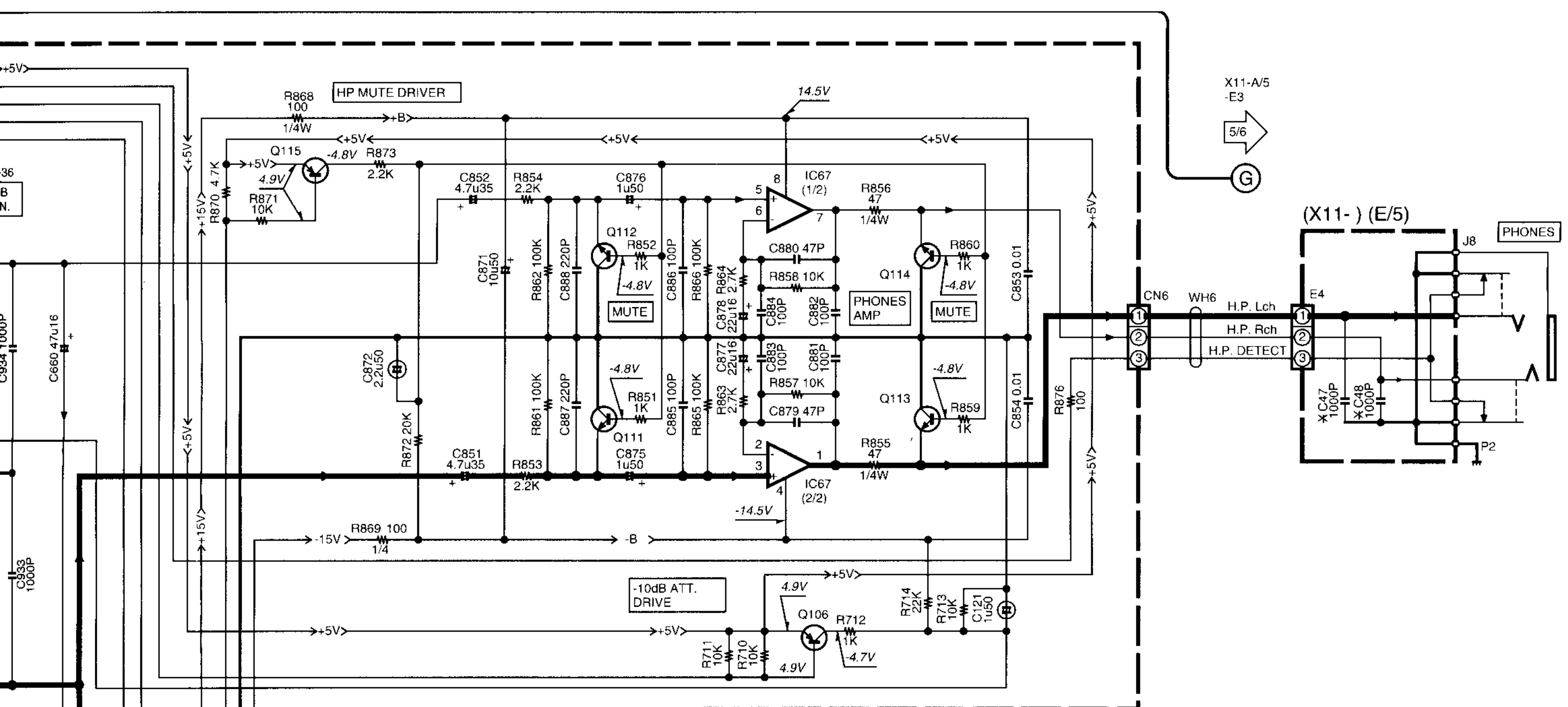
D20 : UDZ5.1B
 D121,122 : DA204U
 D123,124 : UDZ6.2B

— SIGNAL LINE
 — GND LINE
 < +B ← +B LINE
 < -B ← -B LINE









C-V500

DESTINATION	COUNTRY	ABB	UNIT No.	⊕	W101-104	CN5
U.S.A.	K		X08-2770-10	NO	YES	NO
CANADA	P		X08-2772-91			
PX	Y		X08-2772-91			

C-V550

DESTINATION	COUNTRY	ABB	UNIT No.	⊕	W101-104	CN5
GENERAL MARKET	M		X08-2820-20	YES	NO	YES
MALAYSIA	I		X08-2820-21			
AUSTRALIA	X		X08-2820-71			

C-V700

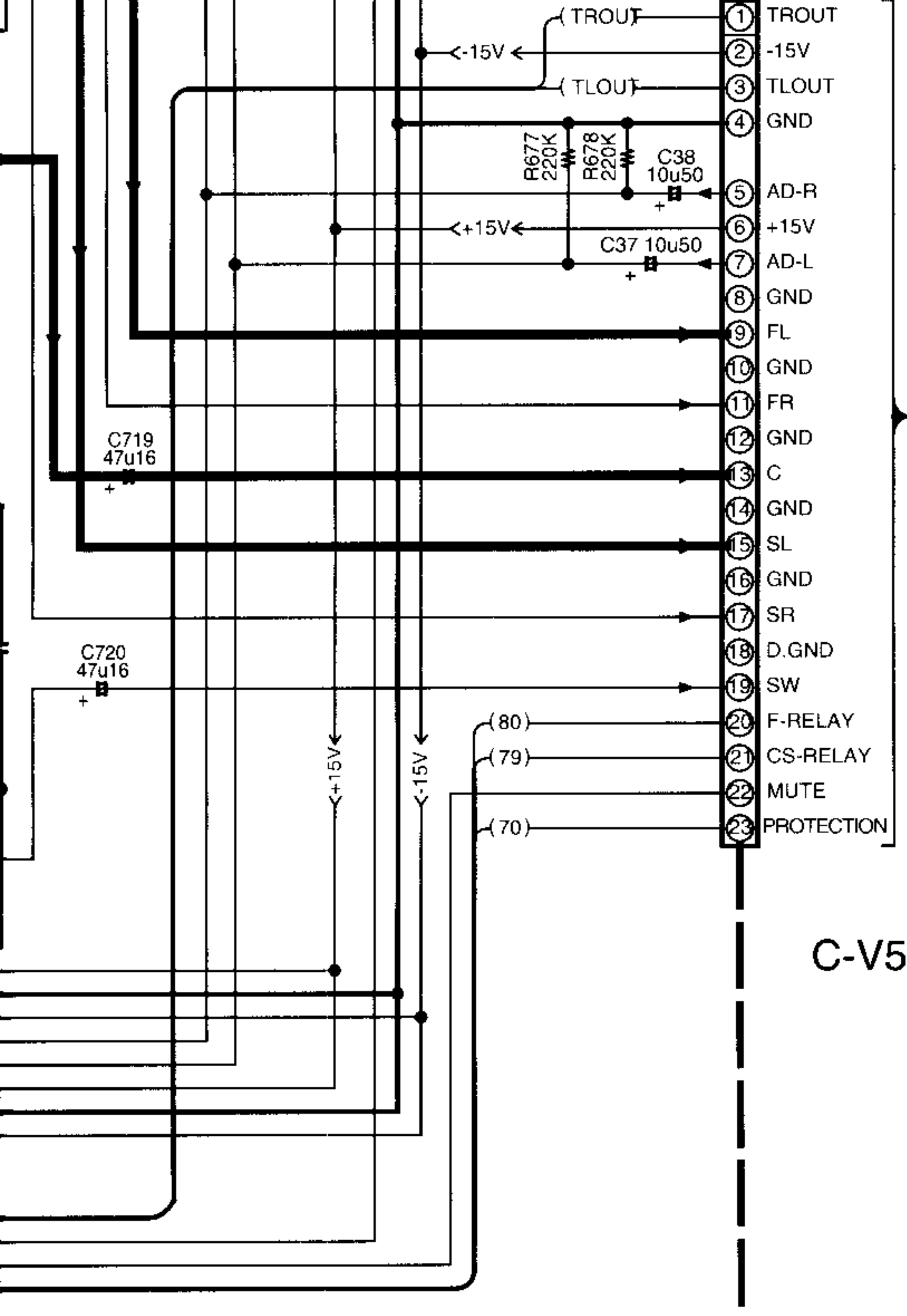
DESTINATION	COUNTRY	ABB	UNIT No.	⊕	W101-104	CN5
GENERAL MARKET	M		X08-2820-21	YES	NO	YES
MALAYSIA	I		X08-2820-72			
AUSTRALIA	X		X08-2820-72			

C-V750

DESTINATION	COUNTRY	ABB	UNIT No.	⊕	W101-104	CN5
U.K.	T		X08-2770-51	YES	NO	YES
EUROPE	E		X08-2772-71			

C-V770

DESTINATION	COUNTRY	ABB	UNIT No.	⊕	W101-104	CN5
CHINA	C		X08-2823-01	NO	YES	NO

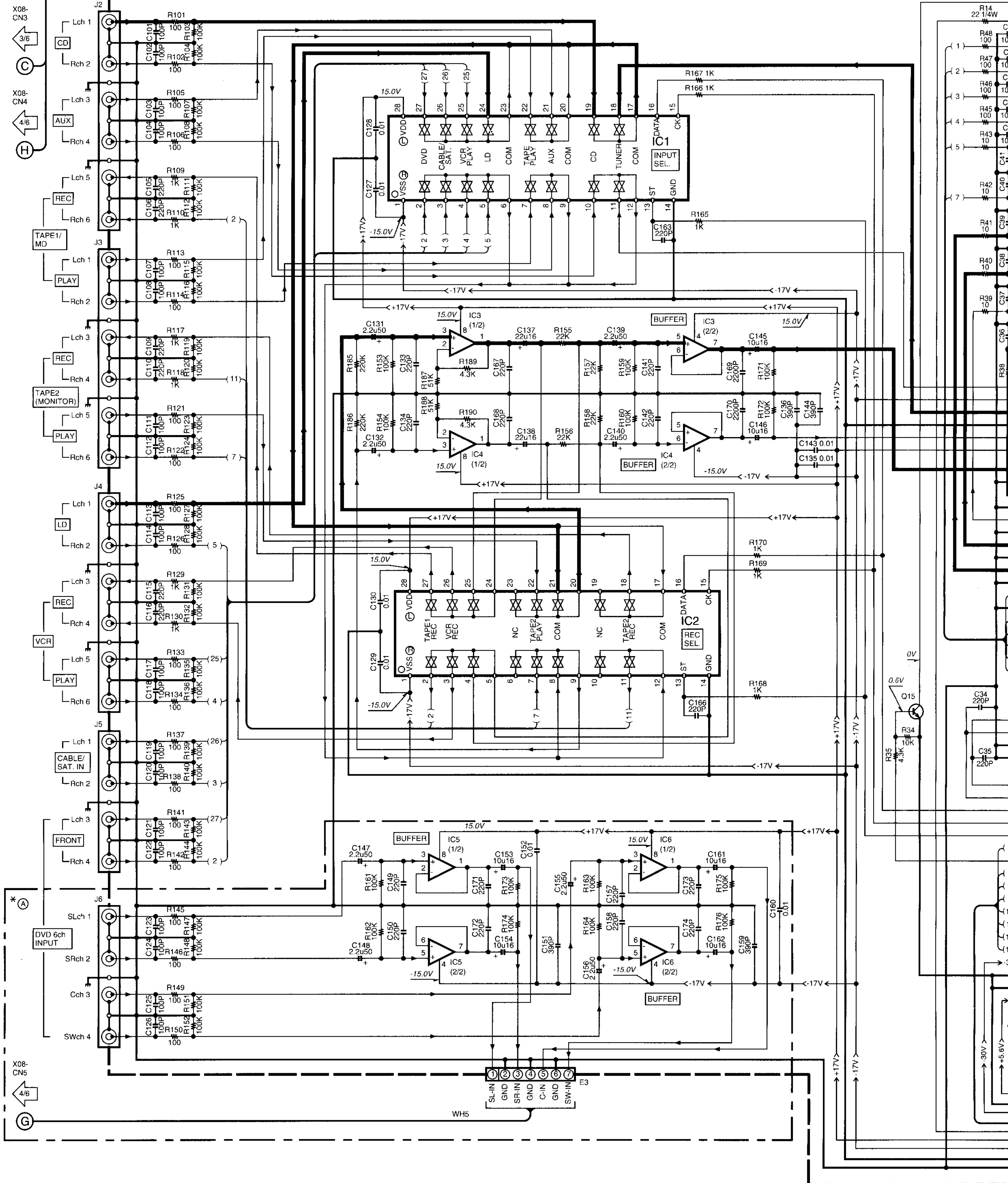


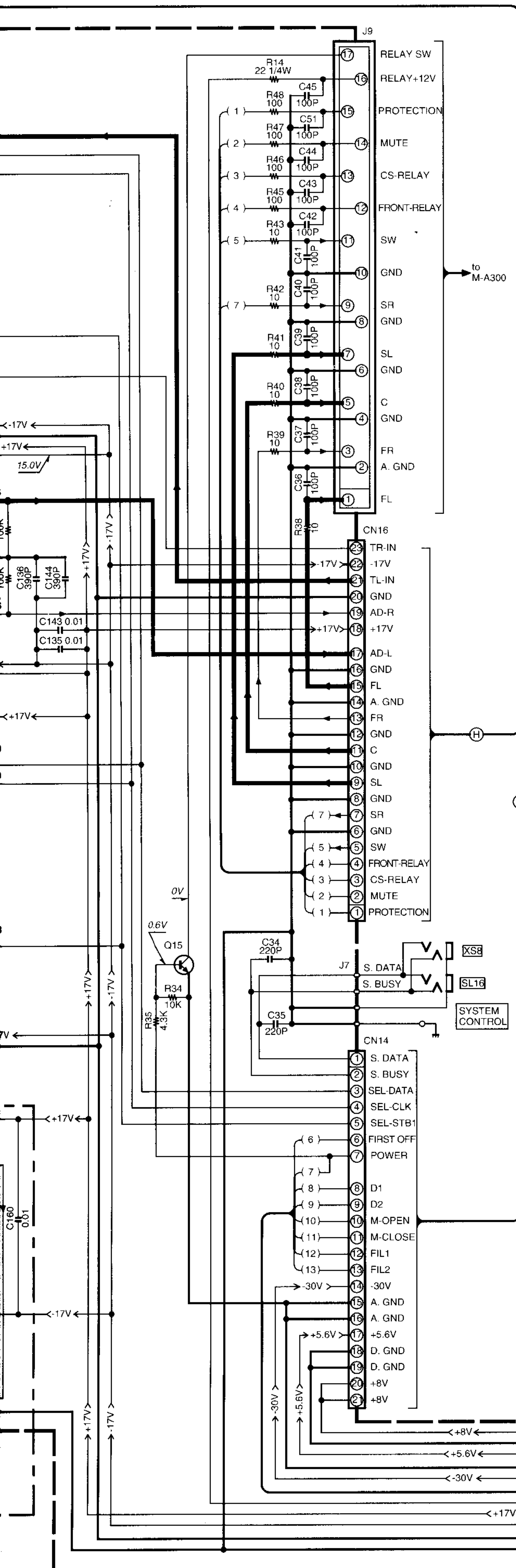
C-V500/V550/V700/V750/V770(K) (4/6)

CAUTION: For continued safety, replace safety critical components only with manufacturer's recommended parts (refer to parts list). Δ indicates safety critical components. For continued protection against risk of fire, replace only with same type and rating fuse(s). To reduce the risk of electric shock, leakage-current or resistance measurements shall be carried out (exposed parts are acceptably insulated from the supply circuit) before the appliance is returned to the customer.

The DC voltage is an actual reading measured with a high impedance type voltmeter with no signal input. The measurement value may vary depending on the measuring instruments used or on the product.

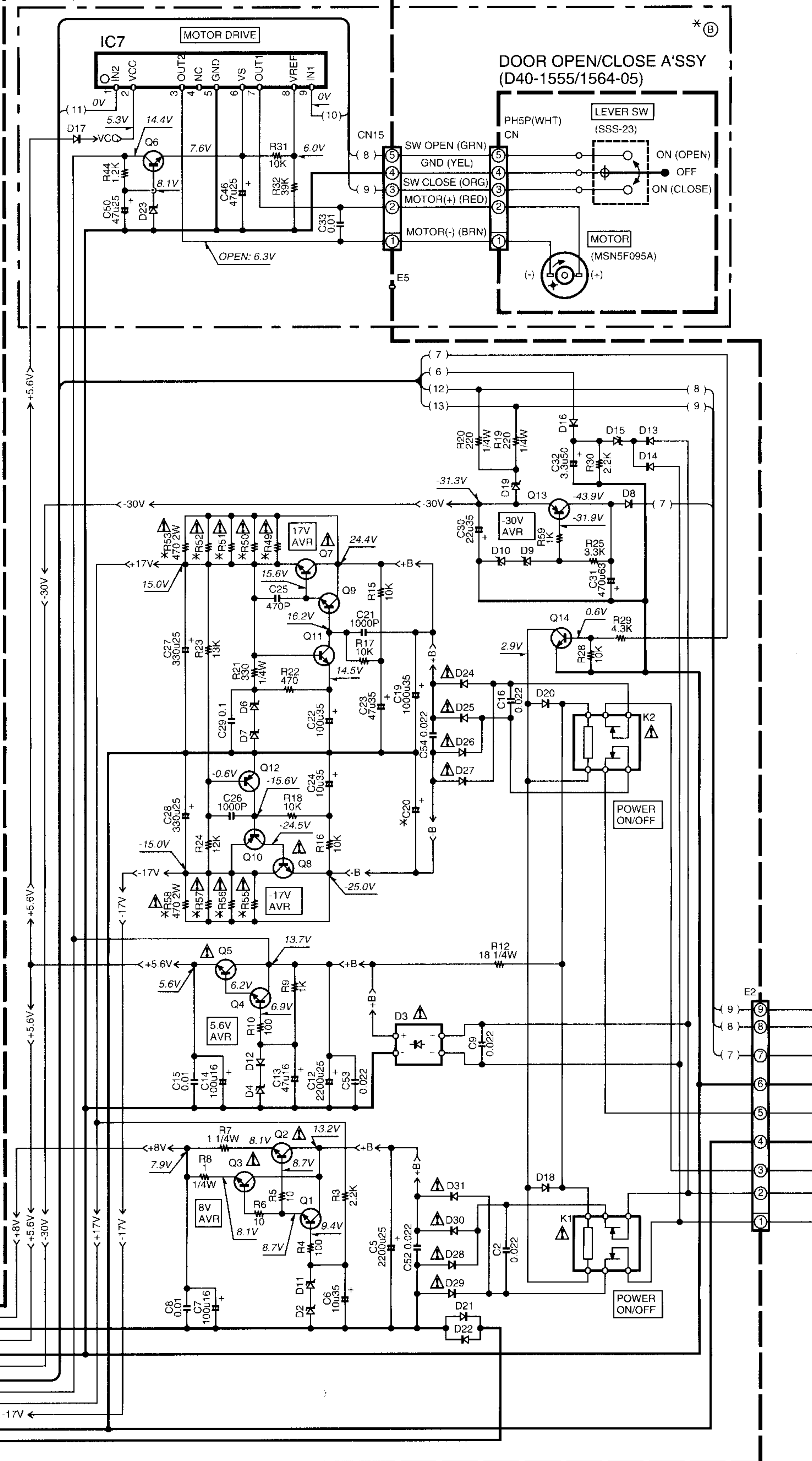
CONTROL UNIT (X11-37XX-XX) (A/5)





- D2 : RD4.7ES(B) or HZS4.7N(B) or MTZJ4.7(B) or UZ-4.7BSB
- D3 : D3SBA20F03 or RBV-402LFA
- D4,6,19 : RD6.2ES(B2) or HZS6.2N(B2) or MTZJ6.2(B) or UZ-6.2BSB
- D7,23 : RD8.2ES(B2) or HZS8.2N(B2) or MTZJ8.2(B) or UZ-8.2BSB
- D8,24-31 : S5688B or 1SR139-400
- D9,10 : RD16ES(B2) or HZS16N(B2) or MTZJ16(B) or UZ-16BSB
- D11 : RD5.1ES(B2) or HZS5.1N(B2) or MTZJ5.1(B) or UZ-5.1BSB
- D12-14,16-18,20-22 : 1SS133 or HSS104

- D15 : RD3.3ES(B2) or HZS3.3N(B2) or MTZJ3.3(B) or UZ-3.3BSB
- Q1,4,9,11 : 2SC2458(Y,GR) or 2SC3311A(Q,R) or 2SC1740S(Q,R) or 2SC2785(F,E)
- Q2,3,5 : 2SD2061 or 2SD2012
- Q6-8 : 2SD2525 or 2SD2137(P)
- Q10,12 : 2SA1048(Y,GR) or 2SA1309A(Q,R) or 2SA933AS(Q,R) or 2SA1175(F,E)
- Q13 : 2SA1535
- Q14 : 2SC3940A(R,S)
- Q15 : 2SC2003(L,K)



IC1 : NJU7313AL
 IC2 : NJU7312AL
 IC3-6 : NJM4580L-D
 IC7 : TA8409S

C-V500

DESTINATION	COUNTRY	ABB	UNIT No.	(A)	(B)	C20	F3	F4,5	R49-52, 55-56	R53, 58	R57	R177-184	W3-6	W7-10	WH2	
U.S.A.	K		X11-3720-10			NO	470u35	2.5A 125V	800mA 250V	390 2W	NO	NO	NO	YES	NO	NO
CANADA	P															
PX	Y		X11-3722-91					T1A L250V	T500mA L250V	470 2W	NO	NO	NO	YES	NO	YES

C-V550

DESTINATION	COUNTRY	ABB	UNIT No.	(A)	(B)	C20	F3	F4,5	R49-52, 55-57	R53, 58	R177-184	W3-10	WH2	
GENERAL MARKET	M		X11-3780-20	YES	NO		1000u35	T1A L250V	T500mA L250V	470 2W	YES	NO	YES	YES
MALAYSIA	T													
AUSTRALIA	X		X11-3780-71							390 2W	NO	NO	NO	NO

C-V700

DESTINATION	COUNTRY	ABB	UNIT No.	(A)	(B)	C20	F3	F4,5	R49-52, 55-57	R53, 58	R177-184	W3-10	WH2	
GENERAL MARKET	M		X11-3780-21	YES	NO		1000u35	T1A L250V	T500mA L250V	470 2W	YES	NO	YES	YES
MALAYSIA	T													
AUSTRALIA	X		X11-3780-72							390 2W	NO	NO	NO	NO

C-V750

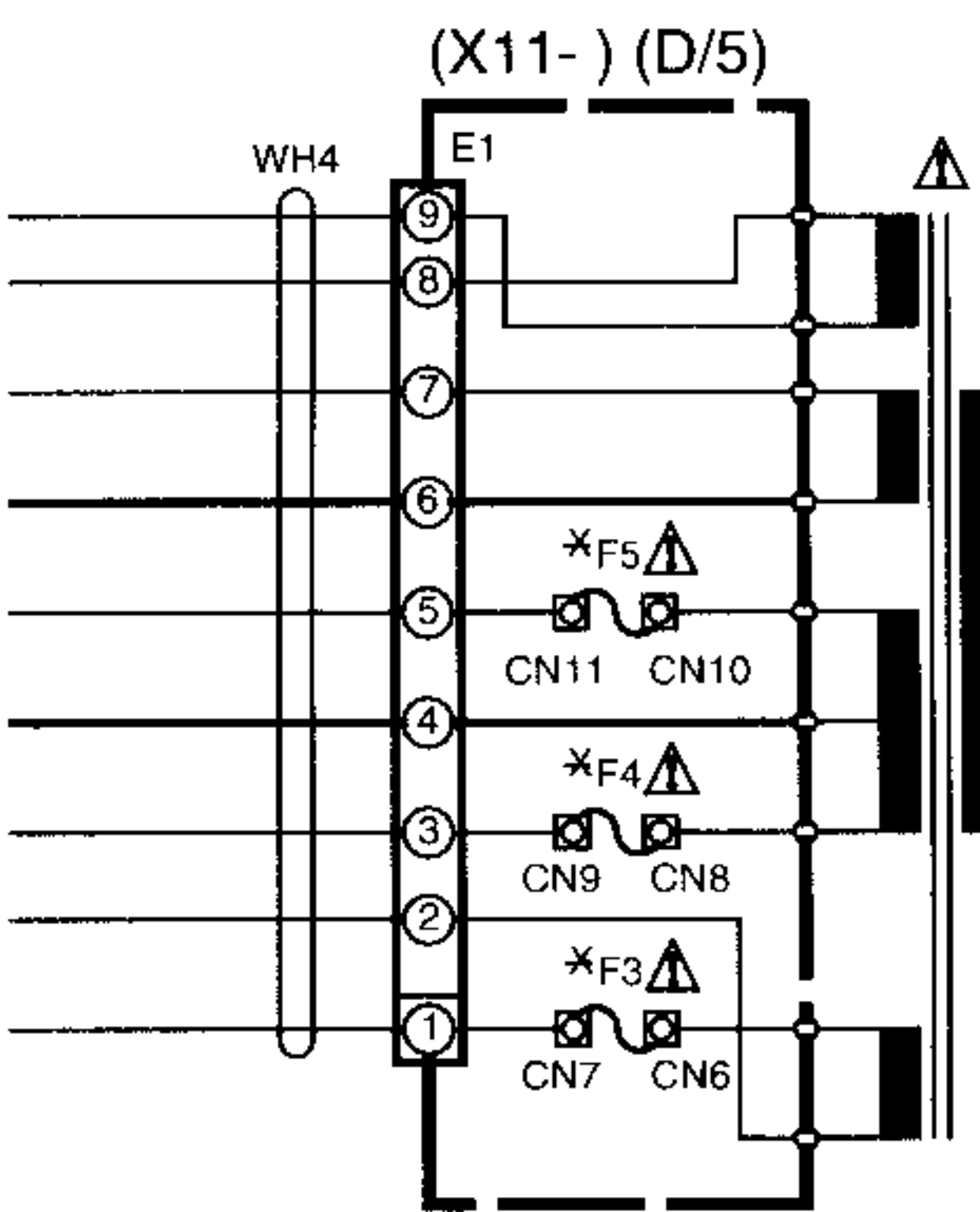
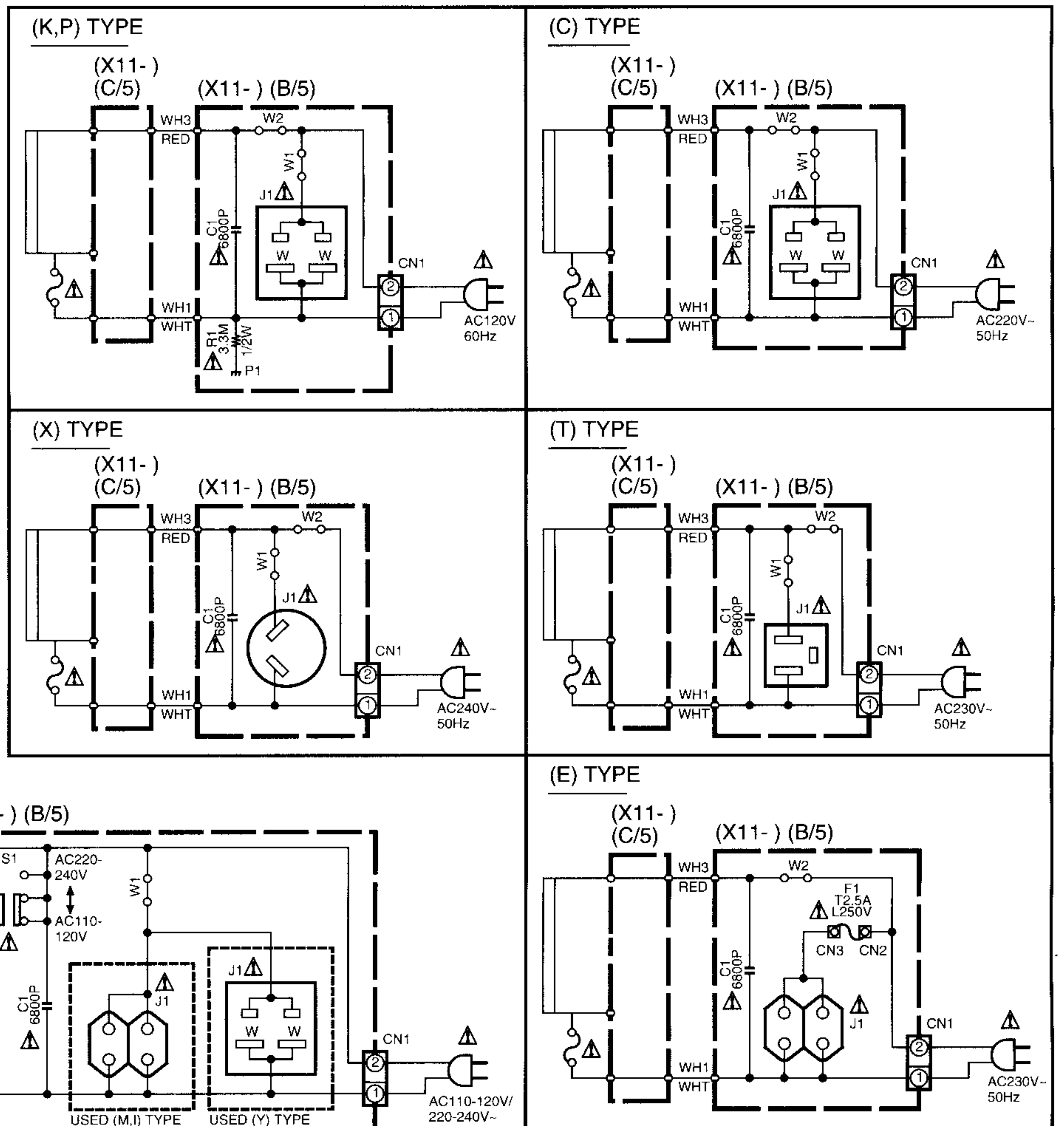
DESTINATION	COUNTRY	ABB	UNIT No.	(A)	(B)	C20	F3	F4,5	R49-52, 55,56	R53,57, 58	R177-184	W3-10	WH2	
U.K.	J		X11-3720-51	YES	NO		470u35	T1A L250V	T500mA L250V	390 2W	NO	YES	YES	NO
EUROPE	E		X11-3722-71											

C-V770

DESTINATION	COUNTRY	ABB	UNIT No.	(A)	(B)	C20	F3	F4,5	R49-52, 55-57	R53,58, 177-184	W3-6	W7-10	WH2	
CHINA	C		X11-3783-01	NO	YES		1000u35	T1A L250V	T500mA L250V	390 2W	NO	YES	NO	NO

CAUTION: For continued safety, replace safety critical components only with manufacturer's recommended parts (refer to parts list). ⚠ indicates safety critical components. For continued protection against risk of fire, replace only with same type and rating fuse(s). To reduce the risk of electric shock, leakage-current or resistance measurements shall be carried out (exposed parts are acceptably insulated from the supply circuit) before the appliance is returned to the customer.

The DC voltage is an actual reading measured with a high impedance type voltmeter with no signal input. The measurement value may vary depending on the measuring instruments used or on the product.



C-V500/V550/V700/V750/V770(K) (5/6)

— SIGNAL LINE
 — GND LINE
 — +B LINE
 — -B LINE

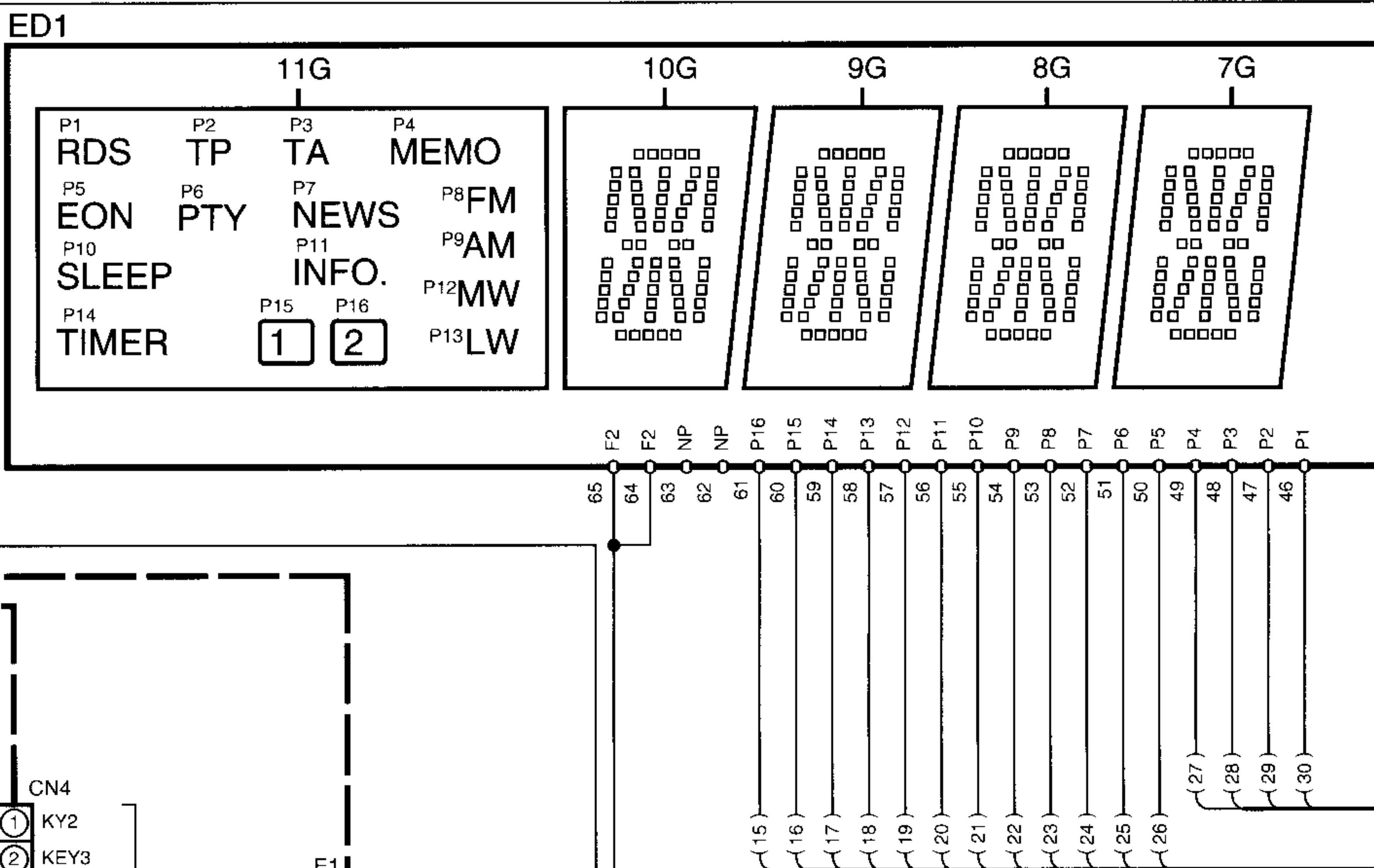
C-V500/V550/V700/V750/V770

X08-CN7,8

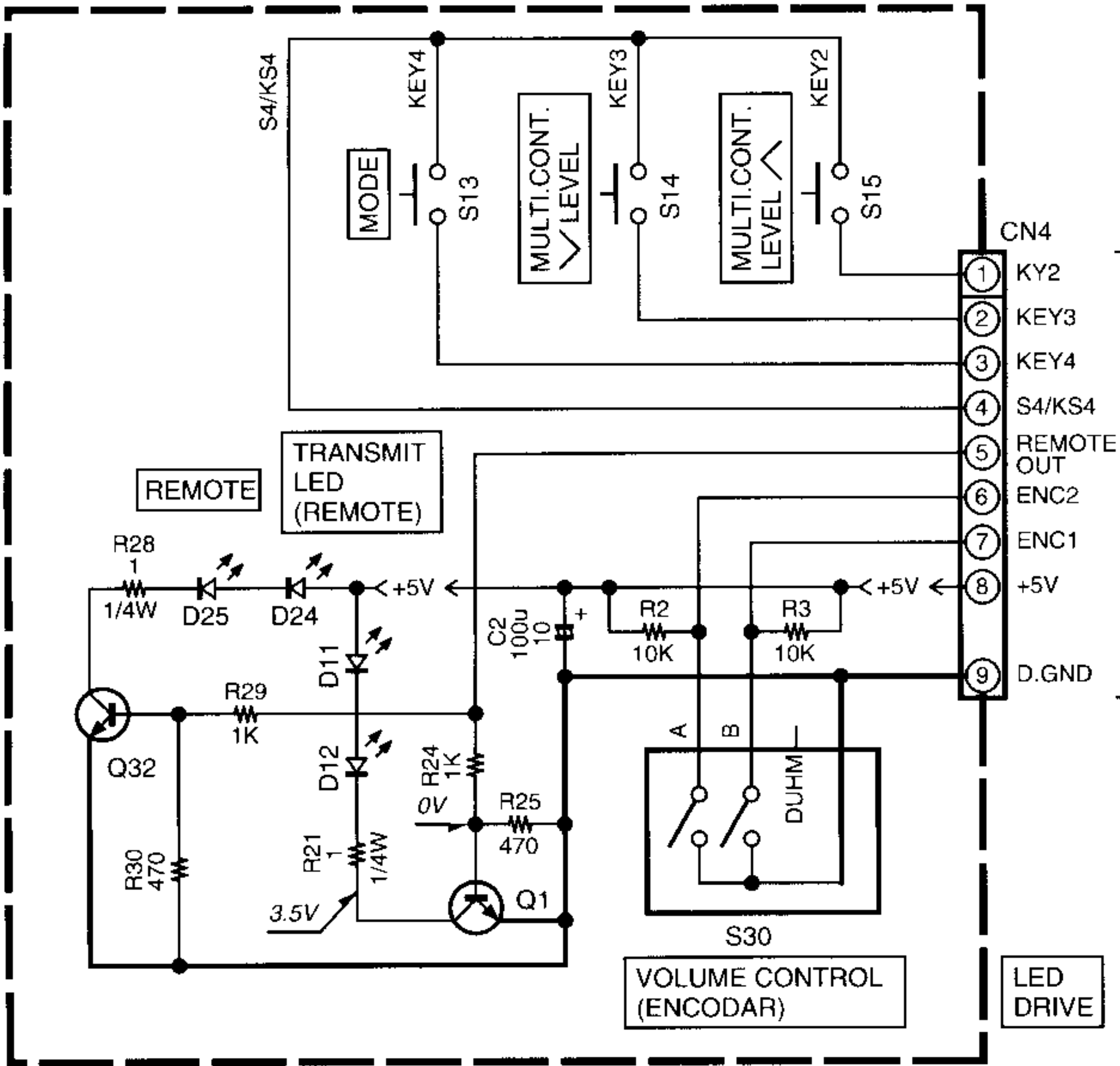


- IC1 : uPD16311
- Q1,32 : 2SC3246
- Q5 : *
- D11,12, 24,25 : B30-2519-05
- D13 : B30-2493-05
- D15-18 : 1SS131 or HSS104A
- ED1 : 11-MT-114GK
- A1 : W02-2598-05

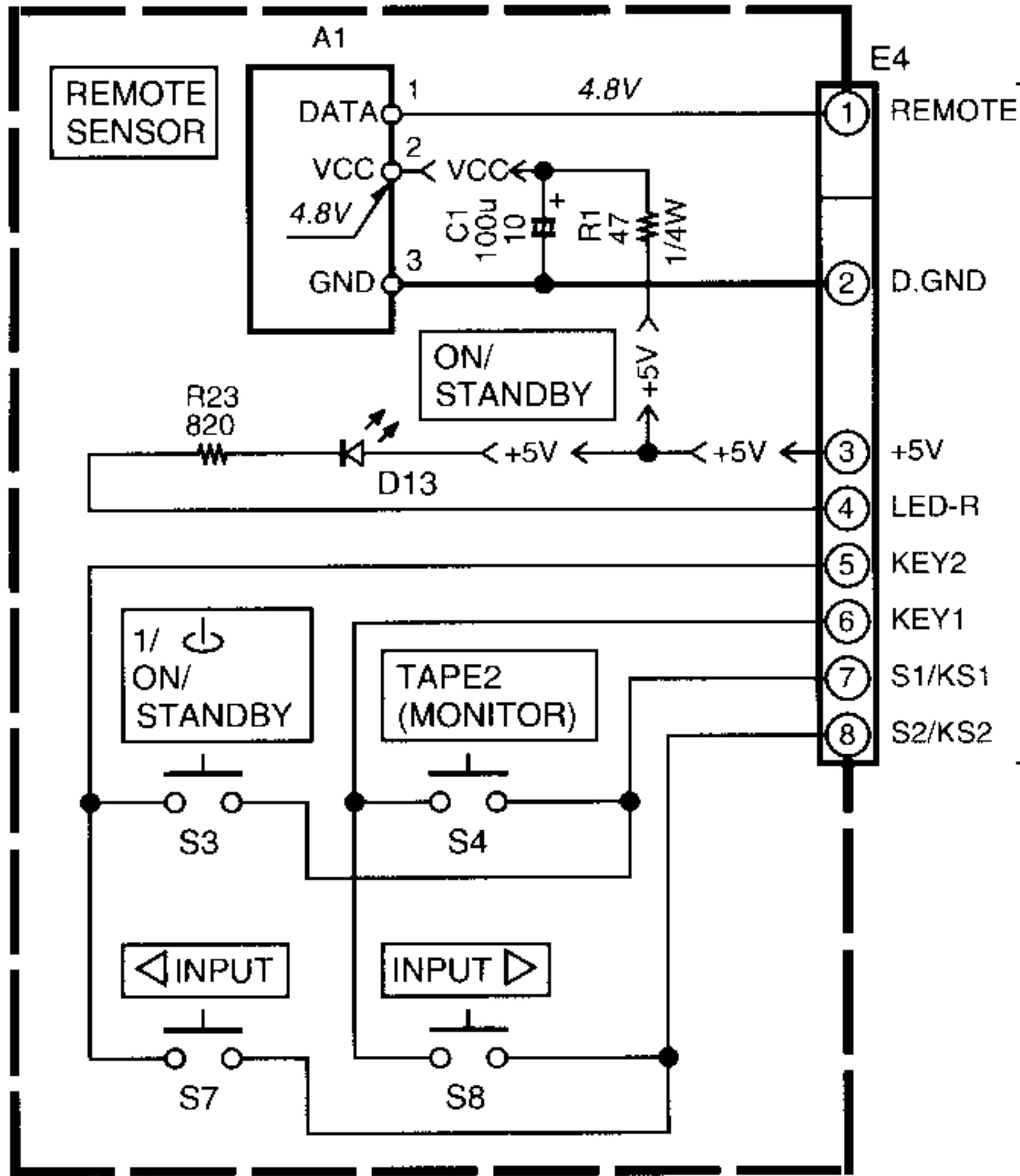
(X14-45XX-XX) (A/3) : C-V500/V550



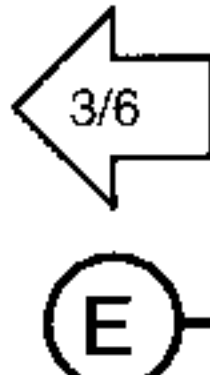
(X14-) (C/3)



(X14-) (B/3)



X08-CN9



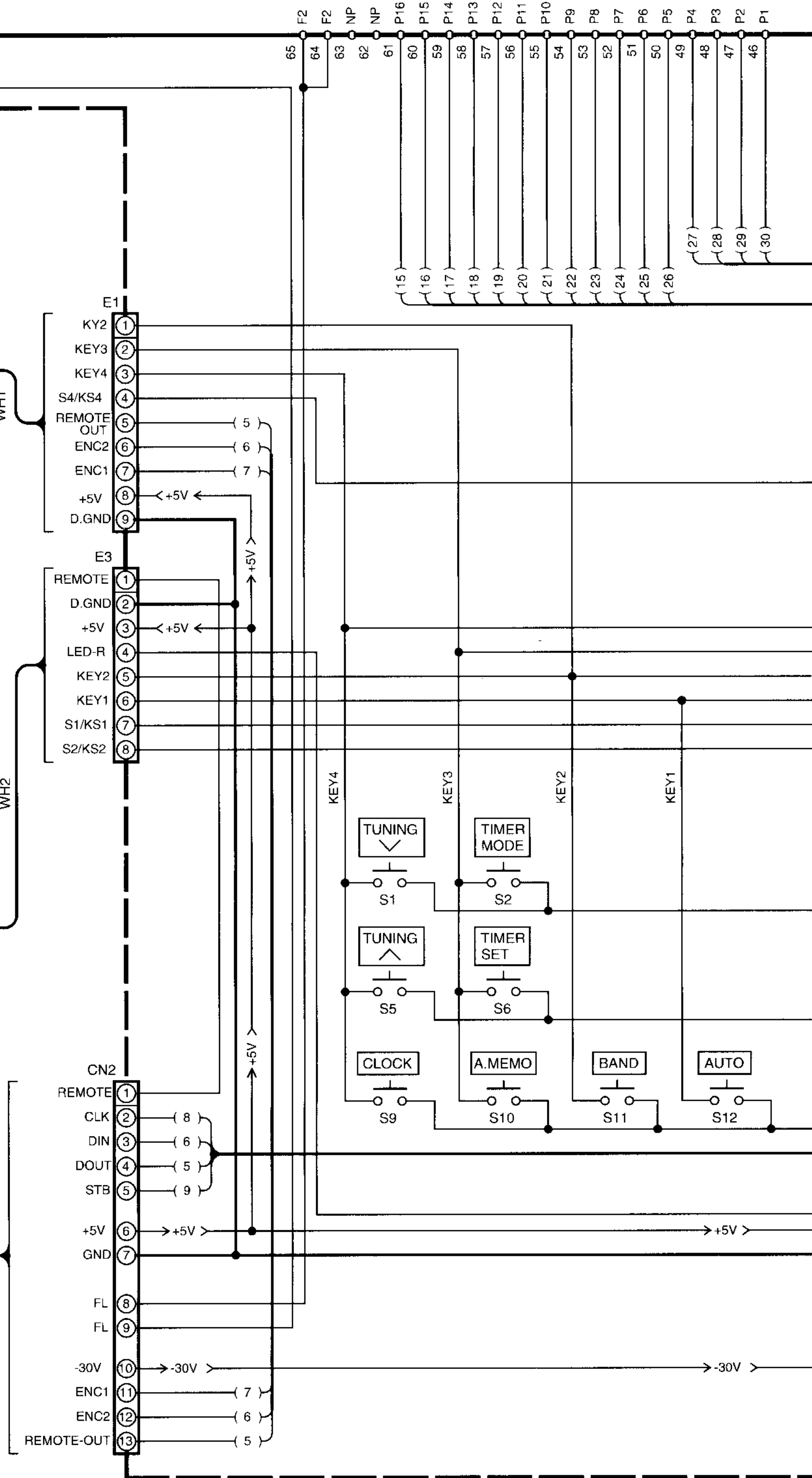
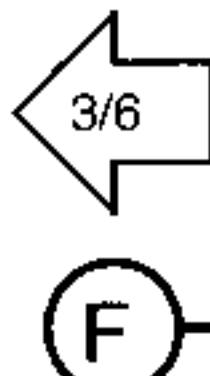
C-V500 (A/3)

DESTINATION		UNIT No.	Q5
COUNTRY	ABB		
U.S.A.	K	X14-4570-10	2SC3311A(Q,R) or 2SC2458(Y,GR)
CANADA	P		
PX	Y		

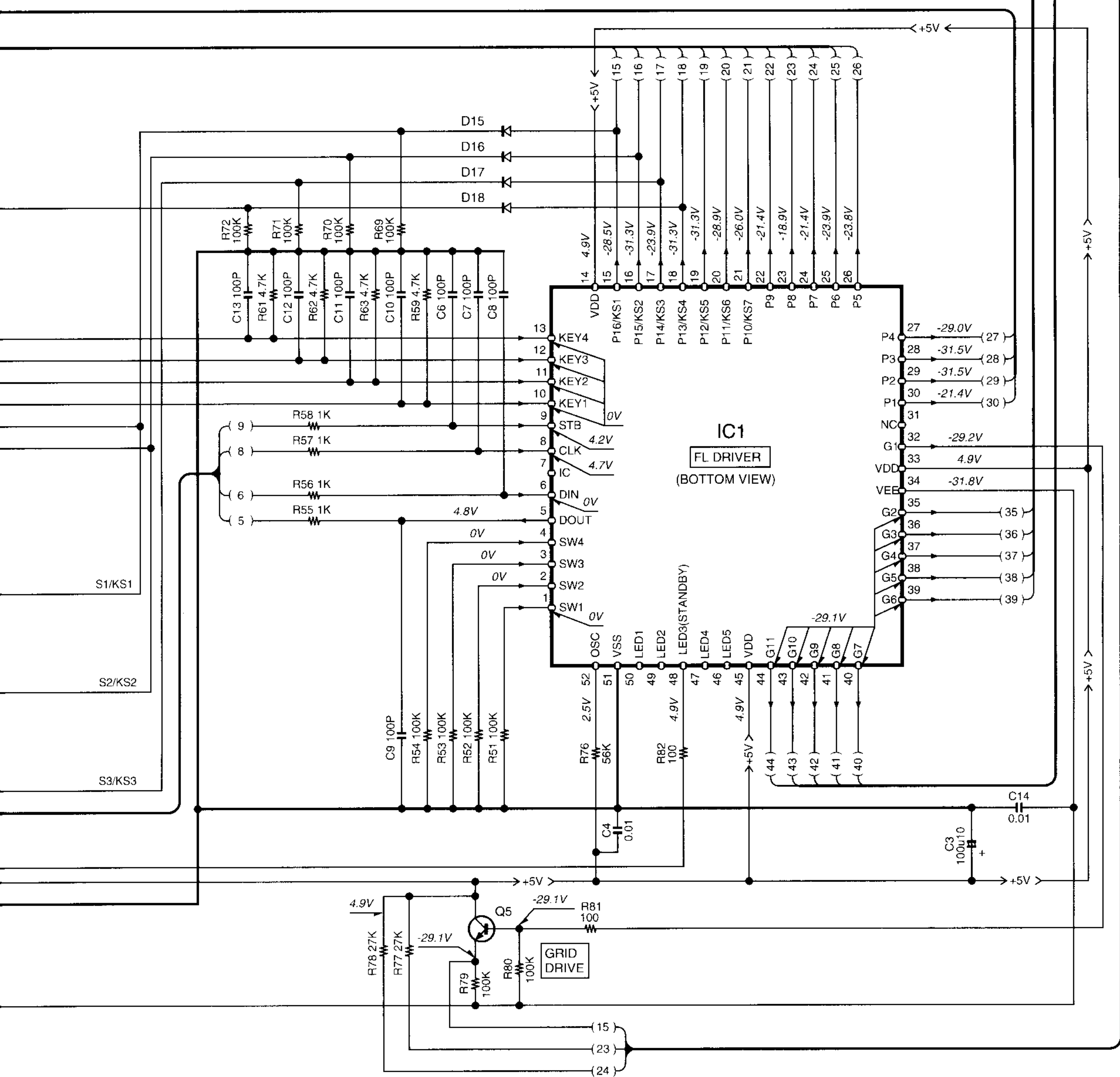
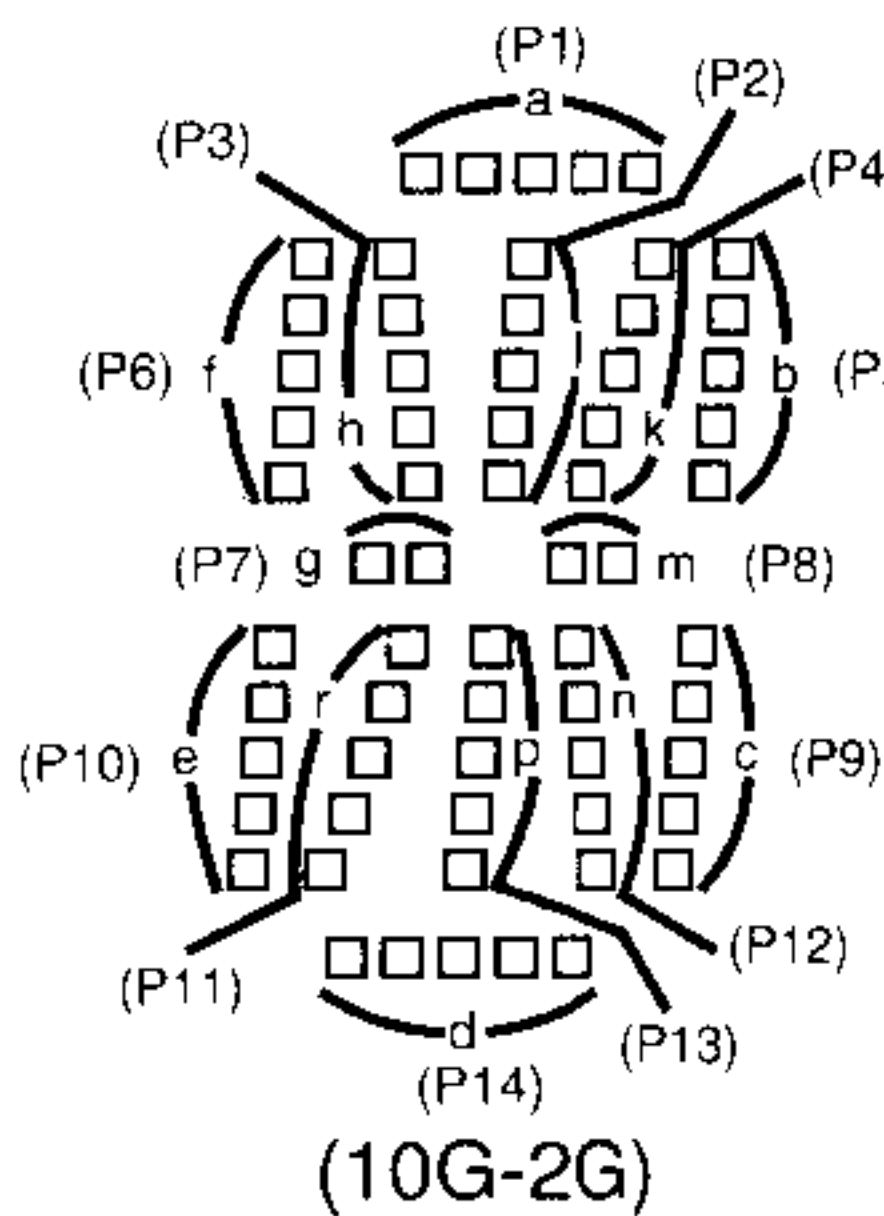
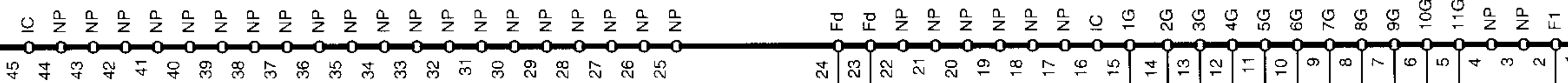
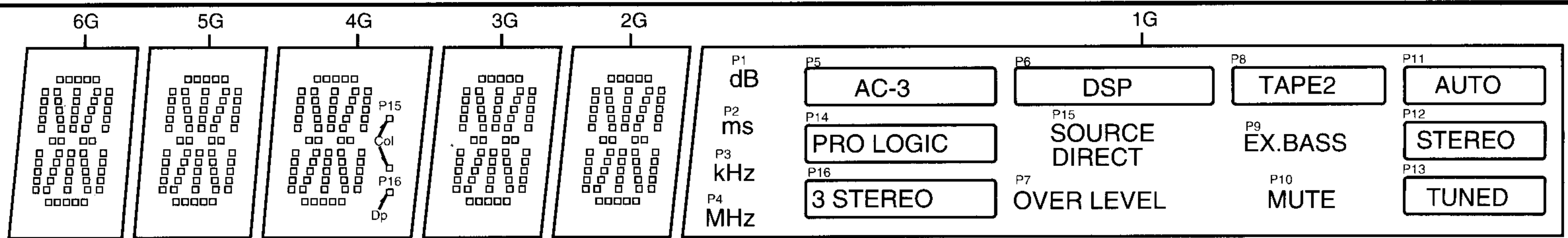
C-V550 (A/3)

DESTINATION		UNIT No.	Q5
COUNTRY	ABB		
GENERAL MARKET	M	X14-4580-20	2SC1740S(Q,R) or 2SC2785(F,E)
MALAYSIA	I		
AUSTRALIA	X		

X08-CN1



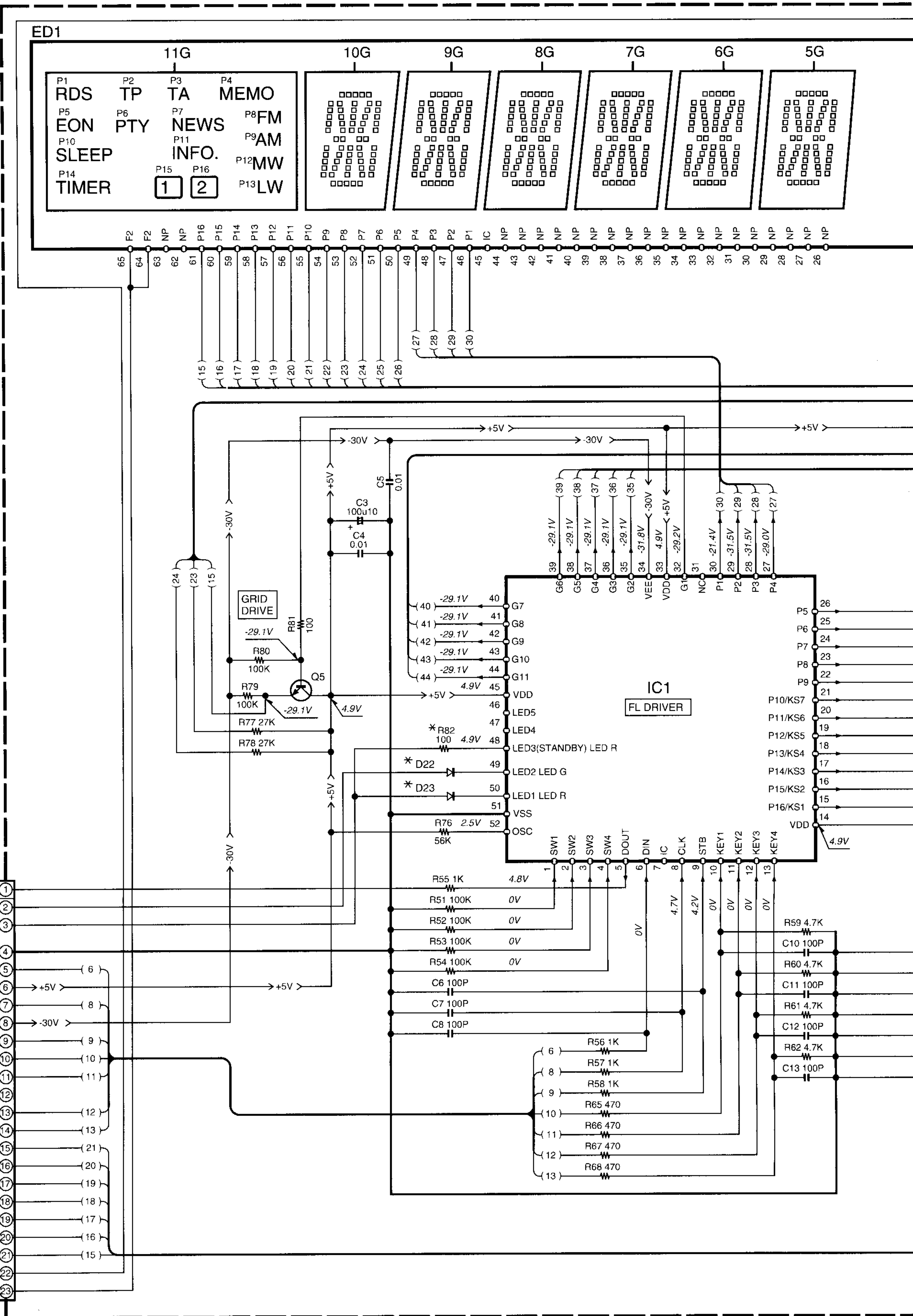
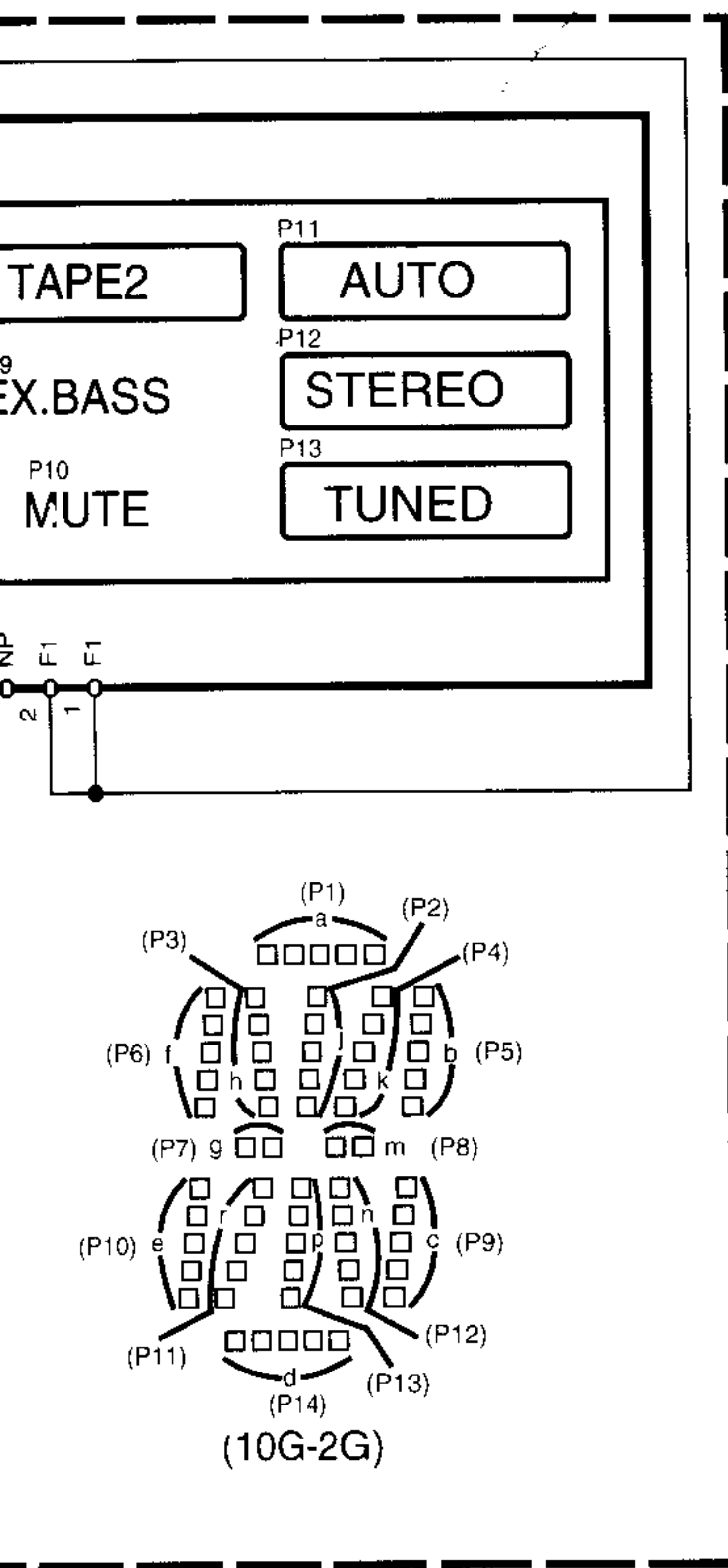
1
2
3
4
5
6
7



IC1
FL DRIVER
(BOTTOM VIEW)

GRID DRIVE

(X14-4XXX-XX) (D/4) : C-V700/V750/V770

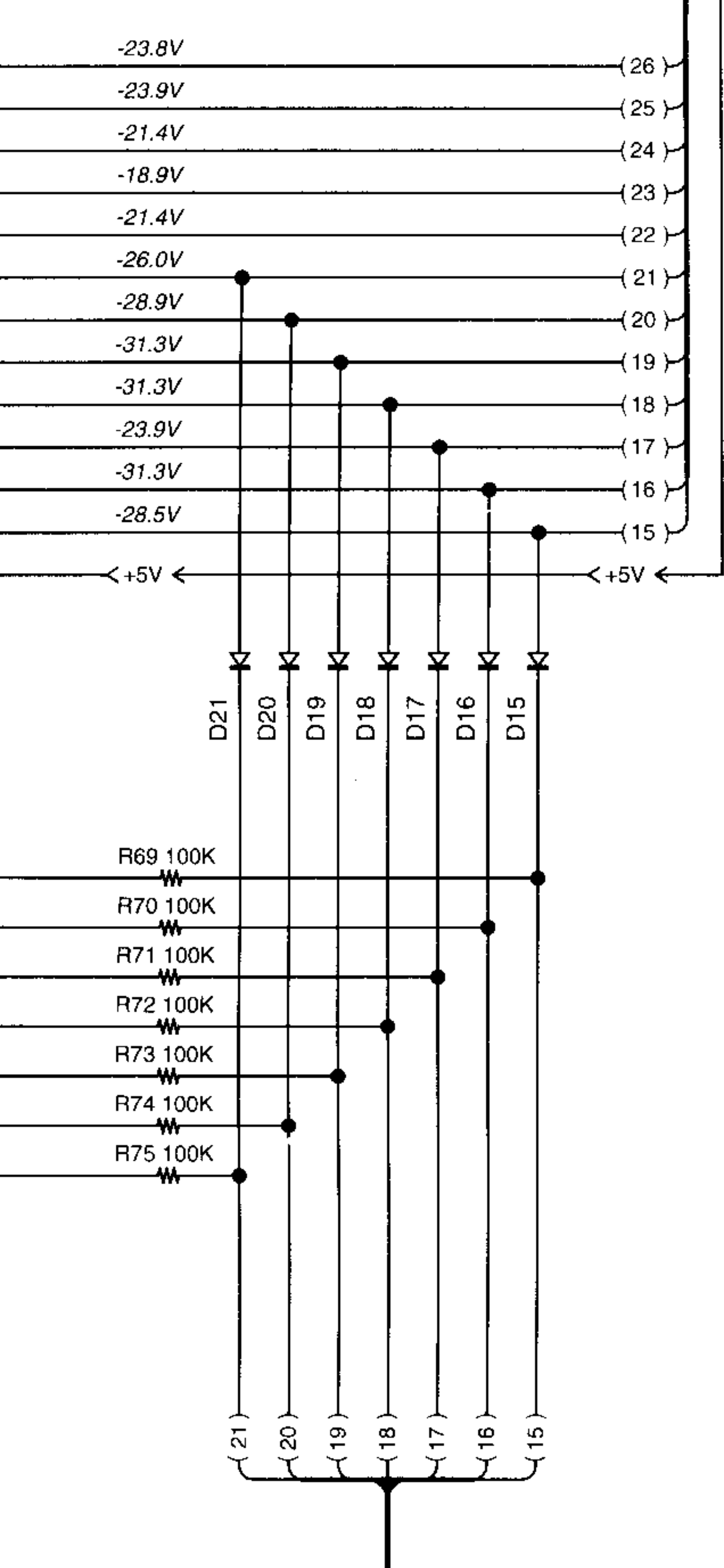
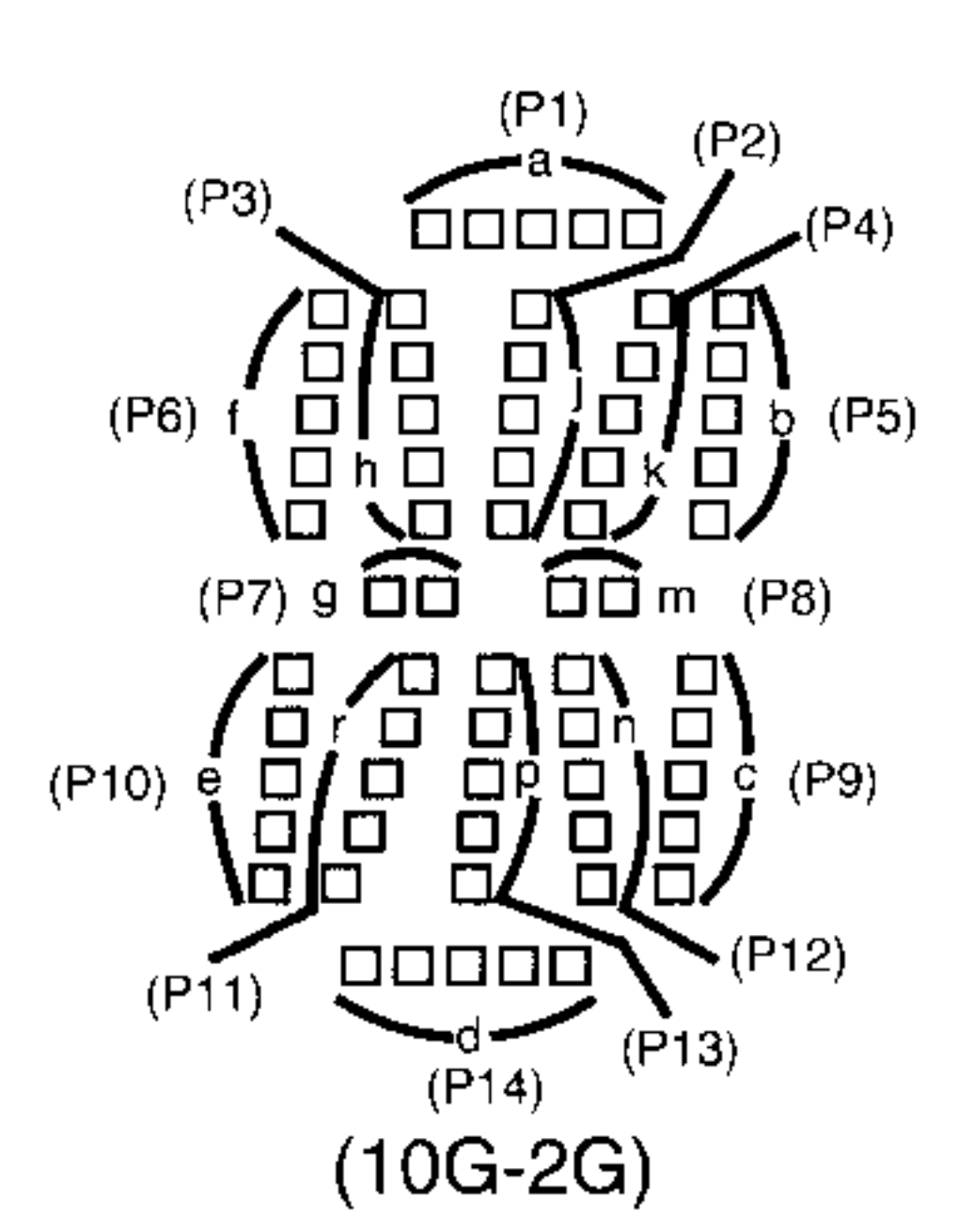
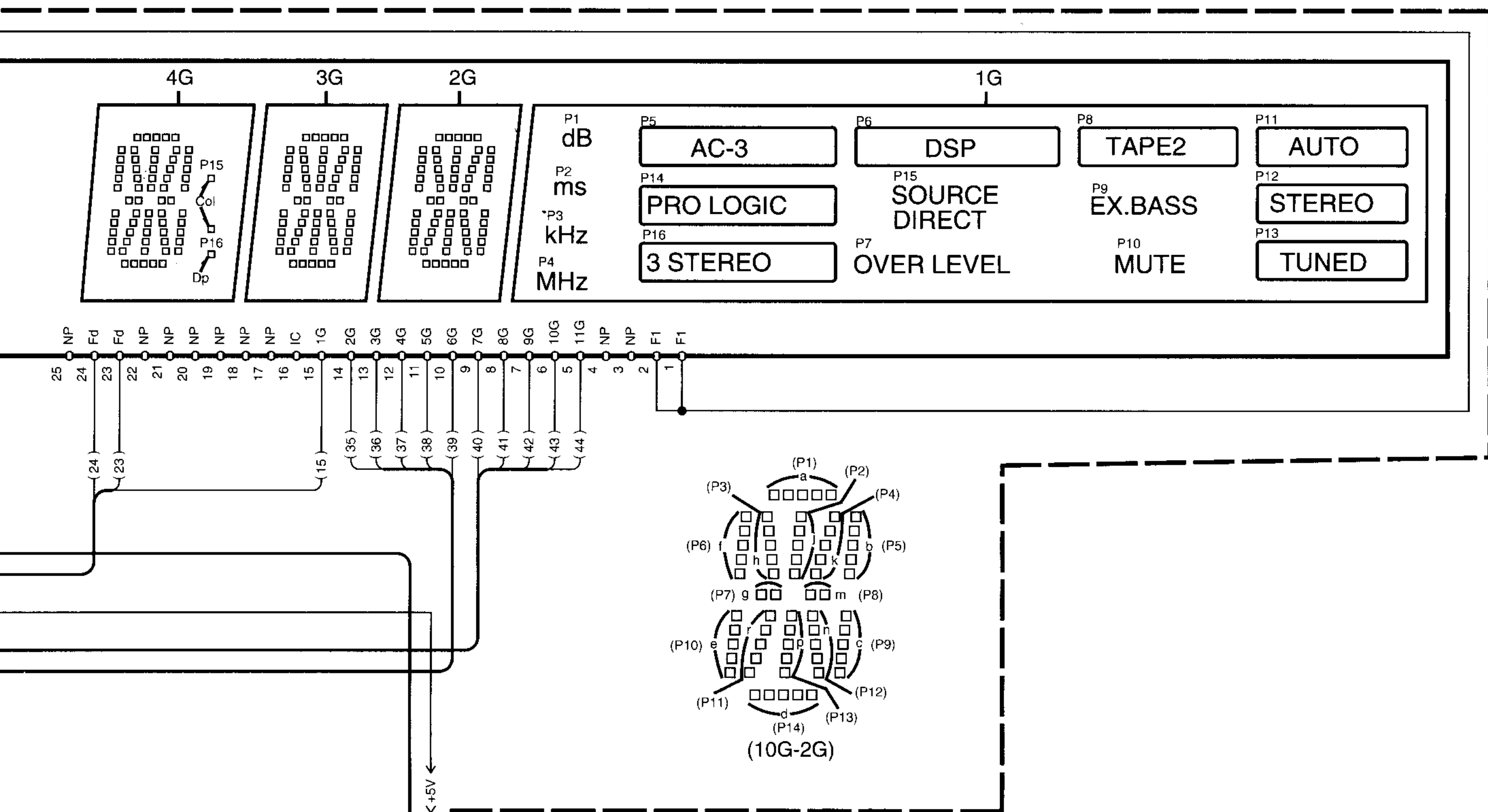


C-V700

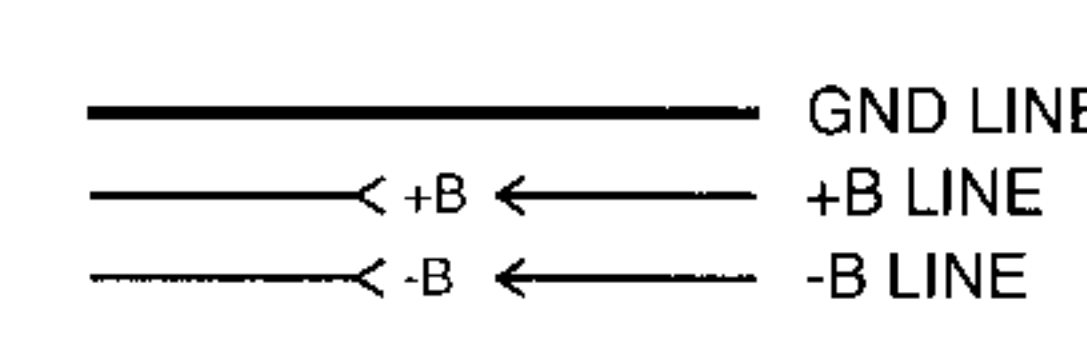
DESTINATION COUNTRY	ABB	UNIT No.	R11-16	R22	R82	W1	W4,8,9,11	S17-20,25,26	CN1,6	CN4	D13	D14,22,23	E5,6	Q3,4	WH3,4
GENERAL MARKET	M	X14-4600-20	NO	820	100	YES	NO	NO	NO	YES	YES	NO	NO	NO	NO
MALAYSIA	I														
AUSTRALIA	X														

C-V750

DESTINATION COUNTRY	ABB	UNIT No.
U.K.	T	X14-4592-70
EUROPE	E	



- IC1 : uPD16311
- Q1 : 2SC3246
- Q2 : 2SC2003(L,K)
- Q3,4 : *
- Q5 : *
- D1-10 : B30-2515-05
- D11,12, 24,25 : B30-2519-05
- D13 : B30-2493-05
- D14 : B30-2507-05
- D15-21 : 1SS131 or HSS104A
- ED1 : 11-MT-114GK
- A1 : W02-2598-05



C-V700 (D/4)

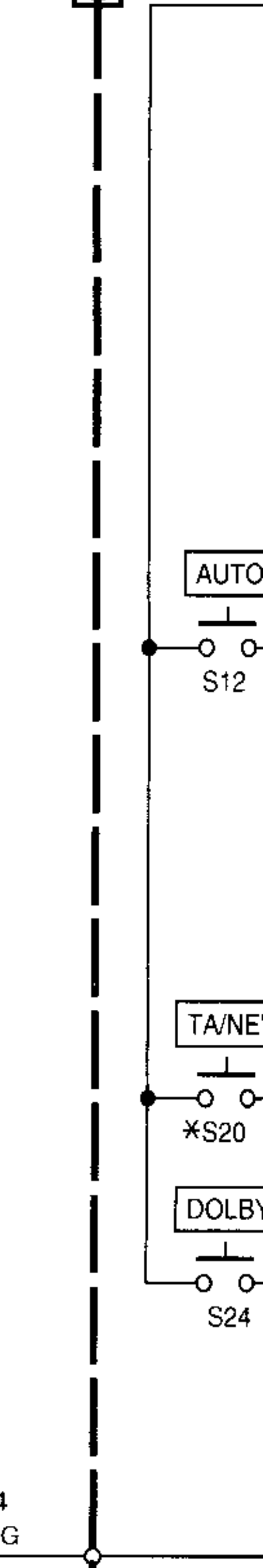
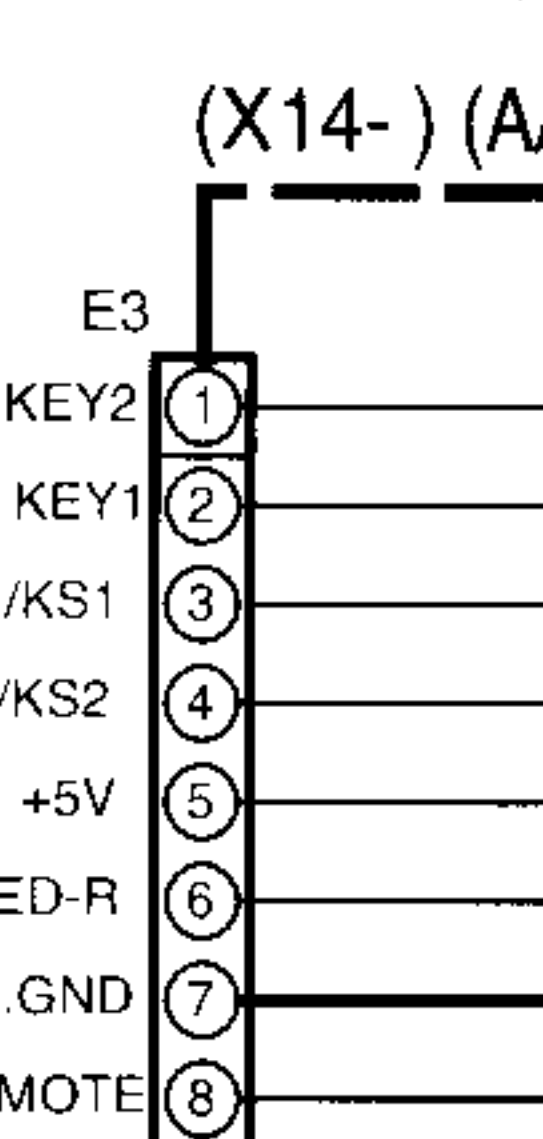
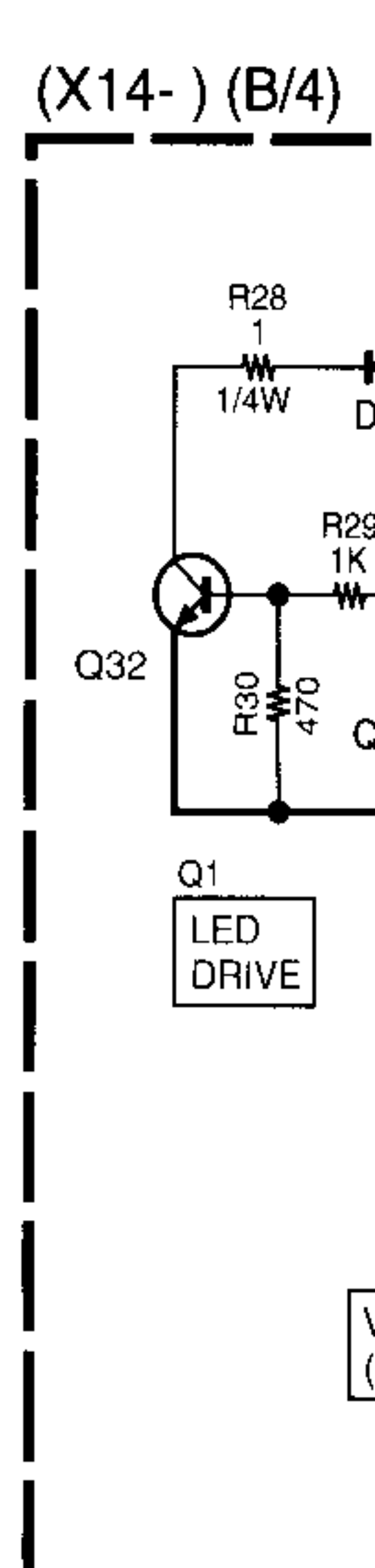
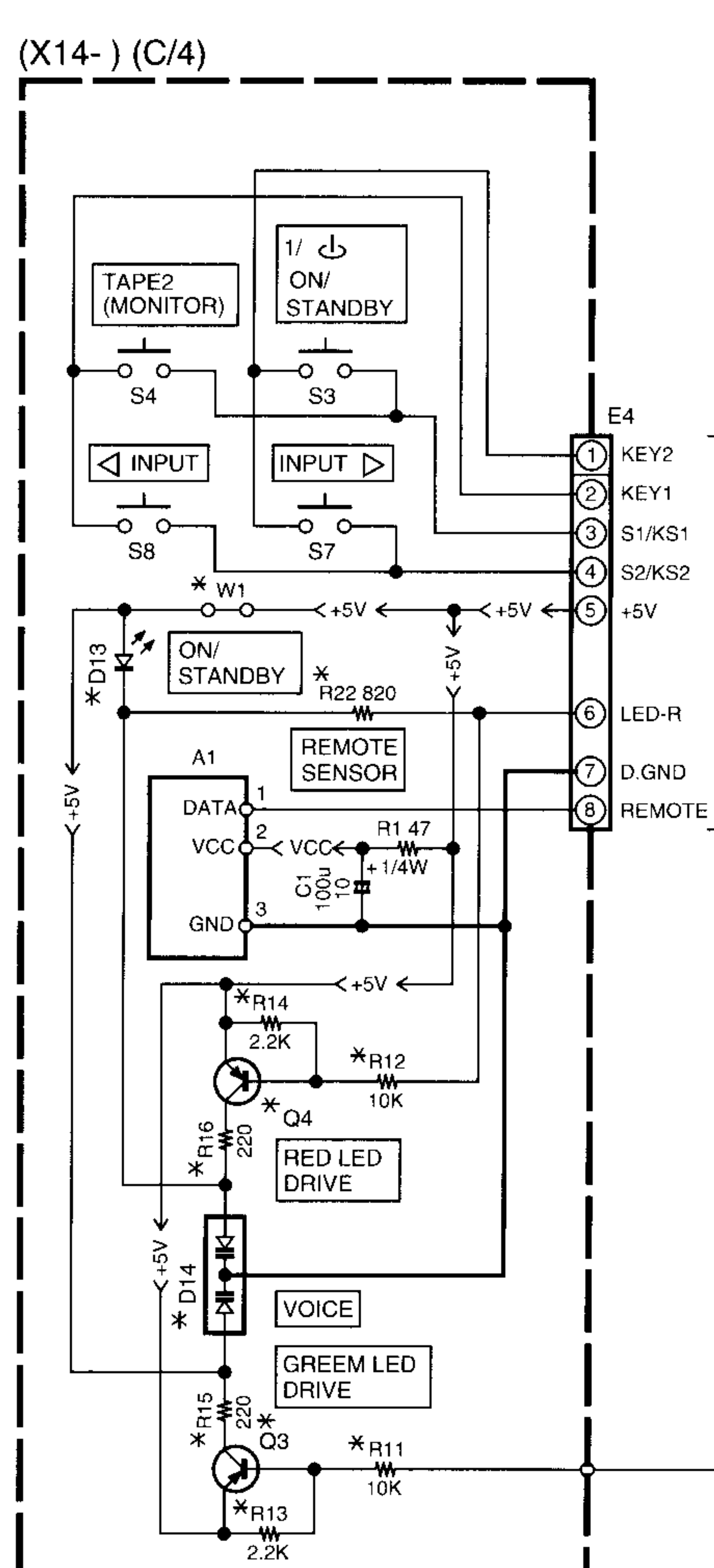
DESTINATION	COUNTRY	ABB	UNIT No.	Q5
GENERAL MARKET	M		X14-4600-20	2SC1740S(Q,R) or 2SC2785(F,E)
MALAYSIA	I			
AUSTRALIA	X			

C-V750 (C/4),(D/4)

DESTINATION	COUNTRY	ABB	UNIT No.	Q3,4	Q5
U.K.	T		X14-4592-70	2SA1048(Y,GR) or 2SA1309A(Q,R)	2SC2458(Y,GR) or 2SC3311A(Q,R)
EUROPE	E				

C-V770 (C/4),(D/4)

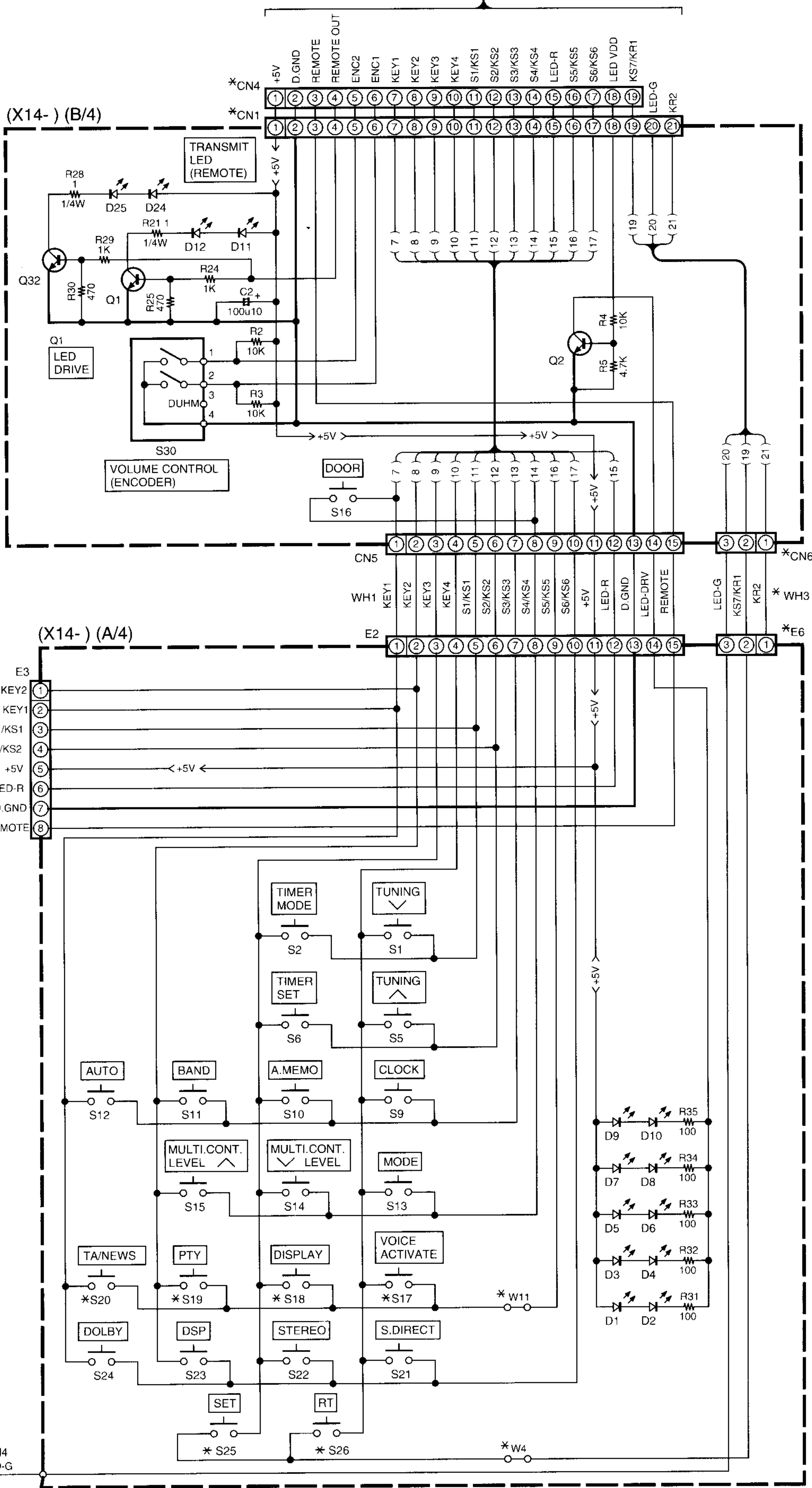
DESTINATION	COUNTRY	ABB	UNIT No.	Q3,4	Q5
CHINA	C		X14-4603-01	2SA933AS(Q,R) or 2SA1175(F,E)	2SC1740S(Q,R) or 2SC2785(F,E)



R11, 12	R13, 14	R15, 16	R22, 82	W1	W4, 11	S17-20, 25,26	CN1,6	CN4	D13	D14, 22,23	E5,6	Q3,4	WH3,4
10K	2.2K	220	NO	NO	YES	YES	YES	NO	NO	YES	YES	YES	YES

C-V770

DESTINATION	COUNTRY	ABB	UNIT No.	R11, 12	R13, 14	R15, 16	R22, 82	EH1	W1, 8,9	W4, 11	S17, 26	S18-20, 25	CN1,6	CN4	D13	D14, 22,23	E5,6	Q3,4	WH3,4
CHINA	C		X14-4603-01	10K	2.2K	220	NO	NO	NO	YES	YES	NO	YES	NO	NO	YES	YES	YES	YES



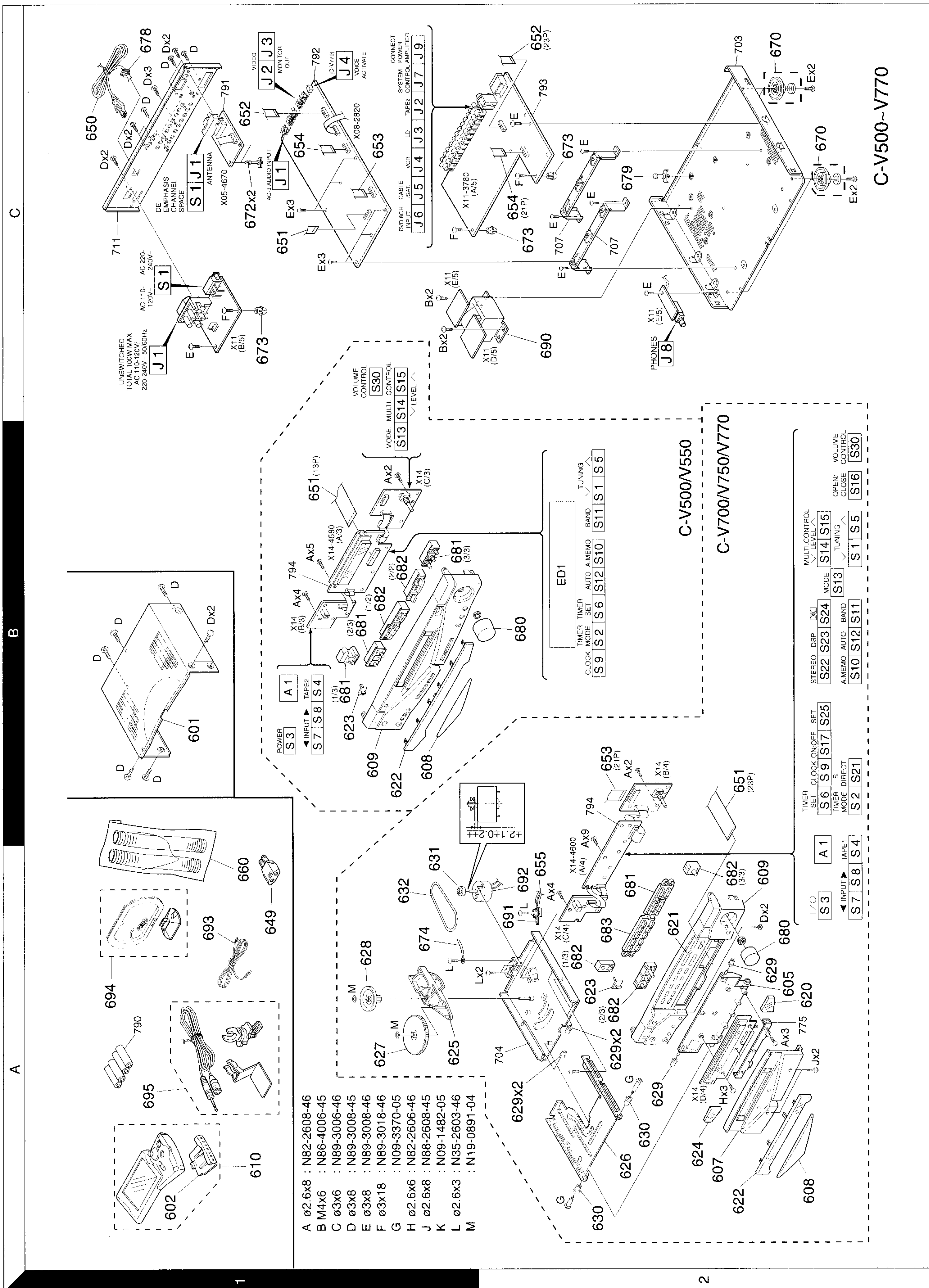
CV-500/V550/V700/V750/V770(K) (6/6)

CAUTION: For continued safety, replace safety critical components only with manufacturer's recommended parts (refer to parts list). Δ indicates safety critical components. For continued protection against risk of fire, replace only with same type and rating fuse(s). To reduce the risk of electric shock, leakage-current or resistance measurements shall be carried out (exposed parts are acceptably insulated from the supply circuit) before the appliance is returned to the customer.

The DC voltage is an actual reading measured with a high impedance type voltmeter with no signal input. The measurement value may vary depending on the measuring instruments used or on the product.

D13	D14, 22, 23	E5, 6	Q3, 4	WH3, 4
NO	YES	YES	YES	YES

EXPLODED VIEW



Parts with the exploded numbers larger than 700 are not supplied.

C-V500/V550/V700/V750/V770

PARTS LIST

* New Parts
Parts without **Parts No.** are not supplied.
Les articles non mentionnés dans le **Parts No.** ne sont pas fournis.
Teile ohne **Parts No.** werden nicht geliefert.

2

Ref. No	Add-ress	New Parts	Parts No.	Description	Desti-nation	Re-marks
-			B46-0096-53	WARRANTY CARD	X	
-			B58-0965-13	CAUTION CARD (PL)	X	
-			B58-0966-13	CAUTION CARD (PL)	MI	
-			B59-1121-03	SUB-INSTRUCTION MANUAL		
-			B59-1122-03	SUB-INSTRUCTION MANUAL		
-			B59-1128-03	SUB-INSTRUCTION MANUAL	M	
-			B59-1130-03	SUB-INSTRUCTION MANUAL	MI	
-			B60-3209-00	INSTRUCTION MANUAL(ENG)	M	
-		*	B60-3211-00	INSTRUCTION MANUAL(SPN)	MI	
-		*	B60-3212-00	INSTRUCTION MANUAL(TWN)	MI	
649	1A		E03-0115-05	AC PLUG ADAPTER	MI	
650	1C		E30-2592-15	AC POWER CORD	MI	
651	1B,1C		E30-2717-05	AC POWER CORD	X	
652	1C,2C		E35-1898-05	FLAT CABLE (13P)		
			E35-1779-05	FLAT CABLE (23P)		
654	1C,2C		E35-1778-05	FLAT CABLE (21P)		
660	1A		F07-1602-04	COVER		
-			H10-7371-12	POLYSTYRENE FOAMED FIXTURE		
-			H10-7372-22	POLYSTYRENE FOAMED FIXTURE	X	
-			H13-0281-04	CARTON BOARD		
-			H25-0232-04	PROTECTION BAG (235X350X0.03)		
-			H25-1516-04	PROTECTION BAG		
-			H30-0602-04	ADHESIVE DOUBLE-COATED TAPE		
-		*	H50-2489-04	ITEM CARTON CASE	MI	
-		*	H50-2521-04	ITEM CARTON CASE	X	
670	2C		J02-1189-03	FOOT		
672	1C		J19-3642-05	UNIT HOLDER		
673	1C,2C		J19-3751-04	UNIT HOLDER		
678	1C		J42-0083-05	POWER CORD BUSHING		
			J61-0307-05	WIRE BAND		
680	2B		K29-6660-04	KNOB		
681	1B		K29-6779-02	KNOB		
682	1B		K29-6780-02	KNOB		
690	2C		L07-2337-05	POWER TRANSFORMER	X	
690	2C		L07-2419-05	POWER TRANSFORMER	MI	
693	1A		T90-0809-05	LEAD WIRE ANTENNA		
694	1A		T90-0820-05	LOOP ANTENNA		

C-V700/V770

601	1B		A01-3432-01	METALLIC CABINET		
602	1A		A09-0379-08	BATTERY COVER		
605	2A		A46-0303-01	REAR COVER		
607	2A		A29-0881-01	PANEL		
608	2A	*	A21-1980-03	DRESSING PANEL	MIX	
608	2A	*	A21-1982-03	DRESSING PANEL	C	
609	2A	*	A60-1163-11	PANEL	MIX	
609	2A	*	A60-1164-11	PANEL	C	
610	1A		A70-1159-05	REMOTE CONTROL ASSY(GRC-100)		
620	2A		B10-2384-04	FRONT GLASS	C	
621	2A		B03-3801-13	DRESSING PLATE	MIX	
621	2A		B03-3802-13	DRESSING PLATE		
622	2A		B10-2382-02	FRONT GLASS		
623	2A		B12-0311-04	INDICATOR		

* New Parts
Parts without **Parts No.** are not supplied.
Les articles non mentionnés dans le **Parts No.** ne sont pas fournis.
Teile ohne **Parts No.** werden nicht geliefert.

1

Ref. No	Add-ress	New Parts	Parts No.	Description	Desti-nation	Re-marks
C-V500						
601	1B		A01-3432-01	METALLIC CABINET		
602	1A		A09-0379-08	BATTERY COVER		
608	1B	*	A21-1978-03	DRESSING PANEL		
609	1B	*	A60-1143-11	PANEL		
610	1A	*	A70-1159-05	REMOTE CONTROL ASSY(GRC-100)		
622	1B		B10-2347-02	FRONT GLASS	KY	
623	1B		B12-0311-04	INDICATOR	P	
-			B46-0328-03	WARRANTY CARD	Y	
-			B46-0336-03	WARRANTY CARD		
-			B58-0513-04	CAUTION CARD (PRESET220-240)		
-			B58-0964-13	CAUTION CARD (UL)	KY	
-			B58-0967-03	CAUTION CARD (PL)	P	
-			B59-1104-00	SERVICE DIRECTORY	Y	
-			B59-1121-03	SUB-INSTRUCTION MANUAL		
-			B59-1122-03	SUB-INSTRUCTION MANUAL		
-			B59-1123-03	SUB-INSTRUCTION MANUAL	P	
-		*	B60-3209-00	INSTRUCTION MANUAL(ENG)	P	
-		*	B60-3210-00	INSTRUCTION MANUAL(FRN)		
650	1C		E30-2787-05	AC POWER CORD	KP	
650	1C		E30-2789-05	AC POWER CORD	Y	
651	1B,1C	*	E35-1898-05	FLAT CABLE (13P)		
652	1C,2C	*	E35-1779-05	FLAT CABLE (23P)		
654	1C,2C	*	E35-1778-05	FLAT CABLE (21P)		
660			F07-1602-04	COVER		
-			H10-7286-12	POLYSTYRENE FOAMED FIXTURE		
-			H10-7287-22	POLYSTYRENE FOAMED FIXTURE		
-		*	H25-0232-04	PROTECTION BAG (235X350X0.03)		
-			H25-1516-04	PROTECTION BAG		
-			H30-0100-04	ADHESIVE DOUBLE-COATED TAPE		
-		*	H50-2380-04	ITEM CARTON CASE		
670	2C		J02-1188-03	FOOT		
672	1C		J19-3642-05	UNIT HOLDER		
673	1C		J19-3732-04	UNIT HOLDER		
678	2C		J42-0083-05	POWER CORD BUSHING		
-			J61-0098-05	WIRE BAND		
680	2B		K29-6660-04	KNOB		
681	1B		K29-6661-02	KNOB		
682	1B		K29-6662-02	KNOB		
690	2C	*	L07-2334-05	POWER TRANSFORMER	KP	
690	2C	*	L07-2335-05	POWER TRANSFORMER	Y	
693	1A		T90-0810-05	LEAD WIRE ANTENNA		
694	1A		T90-0820-05	LOOP ANTENNA		

C-V550

601	1B		A01-3432-01	METALLIC CABINET		
602	1A		A09-0379-08	BATTERY COVER		
608	1B		A21-1979-03	DRESSING PANEL		
609	1B	*	A60-1169-11	PANEL		
610	1A		A70-1159-05	REMOTE CONTROL ASSY(GRC-100)		
622	1B		B10-2385-02	FRONT GLASS		
623	1B		B12-0311-04	INDICATOR		

L : Scandinavia
Y : PX(Far East, Hawaii)
Y : AAFES(Europe)

K : USA
T : Europe
X : Australia

P : Canada
E : Europe
M : Other Areas

R : Mexico
G : Germany

Δ indicates safety critical components.

C-V500/V550/V700/V750/V770

PARTS LIST

* New Parts
Parts without **Parts No.** are not supplied.
Les articles non mentionnés dans le **Parts No.** ne sont pas fournis.
Teile ohne **Parts No.** werden nicht geliefert.

3

Ref. No	Add-ress	New Parts	Parts No.	Description	Desti-nation	Re-marks
624	2A		B10-2383-04	FRONT GLASS	X	
-			B46-0096-53	WARRANTY CARD	C	
-			B46-0326-03	CAUTION CARD (PL)	X	
-			B58-0965-13	CAUTION CARD (PL)	MI	
-			B58-0966-13	CAUTION CARD	C	
-			B58-1546-03	SUB-INSTRUCTION MANUAL		
-			B59-1121-03	SUB-INSTRUCTION MANUAL		
-			B59-1122-03	SUB-INSTRUCTION MANUAL	M	
-			B59-1128-03	SUB-INSTRUCTION MANUAL	C	
-			B59-1129-03	SUB-INSTRUCTION MANUAL		
-			B59-1130-03	SUB-INSTRUCTION MANUAL	MI	
-			B59-1154-00	SUB-INSTRUCTION MANUAL	C	
-			B59-1160-00	SUB-INSTRUCTION MANUAL	C	
-			B60-3209-00	INSTRUCTION MANUAL(ENG)		
-		*	B60-3211-00	INSTRUCTION MANUAL(SPN)	M	
-		*	B60-3212-00	INSTRUCTION MANUAL(TWN)	MI	
-		*	B60-3213-00	INSTRUCTION MANUAL(CHN)	C	
625	1A		D10-3715-04	ARM ASSY		
626	2A		D10-3716-01	SLIDER		
627	1A		D13-1807-04	GEAR		
628	1A		D13-1808-03	GEAR		
629	2A		D14-0385-04	ROLLER		
630	2A		D14-0386-04	ROLLER		
631	1A		D15-0407-04	MOTOR PULLEY		
632	1A		D16-0715-03	BELT		
649	1A		E03-0115-05	AC PLUG ADAPTER	MI	
650	1C		E30-2592-15	AC POWER CORD	MI	
650	1C		E30-2717-05	AC POWER CORD	X	
650	1C		E30-2830-05	AC POWER CORD	C	
651	2B,1C		E35-1899-05	FLAT CABLE (23P)		
652	1C,2C		E35-1779-05	FLAT CABLE (23P)		
653	2B,1C		E35-1901-05	FLAT CABLE (21P)		
654	1C,2C		E35-1778-05	FLAT CABLE (21P)		
655	2A		E35-1810-05	WIRING HARNESS		
660	1A		F07-1602-04	COVER		
-			G11-0153-04	SOFT TAPE (80X12X3)		
-			H10-7371-12	POLYSTYRENE FOAMED FIXTURE		
-			H10-7372-22	POLYSTYRENE FOAMED FIXTURE		
-			H11-0085-04	POLYSTYRENE FOAMED BOARD		
-			H13-0281-04	CARTON BOARD	X	
-			H20-0568-04	PROTECTION COVER	MI	
-			H25-0232-04	PROTECTION BAG (235X350X0.03)		
-			H25-1516-04	PROTECTION BAG	X	
-			H30-0602-04	ADHESIVE DOUBLE-COATED TAPE		
-		*	H50-2490-14	ITEM CARTON CASE	MI	
-		*	H50-2491-14	ITEM CARTON CASE	C	
-		*	H50-2522-14	ITEM CARTON CASE	X	
670	2C		J02-1189-03	FOOT		
672	1C		J19-3642-05	UNIT HOLDER		
673	1C,2C		J19-3751-04	UNIT HOLDER		
674	1A		J19-5833-05	LEAD HOLDER		
678	1C		J42-0083-05	POWER CORD BUSHING		

L : Scandinavia
Y : PX(Far East, Hawaii)
Y : AAFES(Europe)

K : USA
T : Europe
X : Australia

P : Canada
E : Europe
M : Other Areas

R : Mexico
G : Germany

⚠ indicates safety critical components.

* New Parts
Parts without **Parts No.** are not supplied.
Les articles non mentionnés dans le **Parts No.** ne sont pas fournis.
Teile ohne **Parts No.** werden nicht geliefert.

4

Ref. No	Add-ress	New Parts	Parts No.	Description	Desti-nation	Re-marks
-			J61-0307-05	WIRE BAND		
680	2A		K29-6660-04	KNOB		
681	2A		K29-6775-02	KNOB		
682	2A		K29-6776-02	KNOB		
683	2A	*	K29-6667-02	KNOB	C	
683	2A	*	K29-6668-02	KNOB	MIX	
690	2C	*	L07-2336-05	POWER TRANSFORMER	C	
690	2C	*	L07-2337-05	POWER TRANSFORMER	X	
690	2C	*	L07-2419-05	POWER TRANSFORMER	MI	
691	2A		S64-0026-05	LEVER SWITCH		
692	2A		T42-0882-05	DC MOTOR		
693	1A		T90-0809-05	LEAD WIRE ANTENNA		
694	1A		T90-0820-05	LOOP ANTENNA		
695	1A		W01-0935-05	MICROPHONE	C	
C-V750						
601	1B		A01-3432-01	METALLIC CABINET		
602	1A		A09-0379-08	BATTERY COVER		
605	2A	*	A46-0303-01	REAR COVER		
607	2A	*	A29-0861-01	PANEL		
608	2A		A21-1981-03	DRESSING PANEL		
609	2A	*	A60-1146-11	PANEL		
610	1A	*	A70-1137-05	REMOTE CONTROL ASSY(GRC-150)		
620	2A	*	B10-2351-04	FRONT GLASS		
621	2A	*	B03-3000-03	DRESSING PLATE		
622	2A	*	B10-2349-02	FRONT GLASS		
623	2A	*	B12-0311-04	INDICATOR		
624	2A	*	B10-2350-04	FRONT GLASS		
-			B46-0310-03	WARRANTY CARD		
-			B58-0945-03	CAUTION CARD		
-			B58-0965-13	CAUTION CARD (PL)		
-			B58-0966-13	CAUTION CARD (PL)		
-			B59-1121-03	SUB-INSTRUCTION MANUAL		
-			B59-1122-03	SUB-INSTRUCTION MANUAL	T	
-			B59-1123-03	SUB-INSTRUCTION MANUAL	T	
-			B59-1125-03	SUB-INSTRUCTION MANUAL	E	
-			B59-1126-03	SUB-INSTRUCTION MANUAL	E	
-			B59-1127-03	SUB-INSTRUCTION MANUAL	E	
-			B59-1154-00	SUB-INSTRUCTION MANUAL	T	
-			B59-1155-00	SUB-INSTRUCTION MANUAL	E	
-			B59-1156-00	SUB-INSTRUCTION MANUAL	E	
-			B59-1157-00	SUB-INSTRUCTION MANUAL	E	
-			B59-1158-00	SUB-INSTRUCTION MANUAL	E	
-		*	B60-3214-00	INSTRUCTION MANUAL(ENG)		
-		*	B60-3215-00	INSTRUCTION MANUAL(FRN)		
-		*	B60-3216-00	INSTRUCTION MANUAL(NETH)		
-		*	B60-3217-00	INSTRUCTION MANUAL(ITL)		
-		*	B60-3218-00	INSTRUCTION MANUAL(GEN)		
625	1A	*	D10-3715-04	ARM ASSY		
626	2A	*	D10-3716-01	SLIDER		
627	1A	*	D13-1807-04	GEAR		
628	1A	*	D13-1808-03	GEAR		
629	2A	*	D14-0385-04	ROLLER		

L : Scandinavia
Y : PX(Far East, Hawaii)
Y : AAFES(Europe)

K : USA
T : Europe
X : Australia

P : Canada
E : Europe
M : Other Areas

R : Mexico
G : Germany

⚠ indicates safety critical components.

* New Parts
Parts without **Parts No.** are not supplied.
Les articles non mentionnés dans le **Parts No.** ne sont pas fournis.
Teile ohne **Parts No.** werden nicht geliefert.

5

Ref. No	Add-ress	New Parts	Parts No.	Description	Desti-nation	Re-marks
630	2A	*	D14-0386-04	ROLLER		
631	1A	*	D15-0407-04	MOTOR PULLEY		
632	2A	*	D16-0715-03	BELT		
650	1C		E30-2788-05	AC POWER CORD	E	
650	1C		E30-2791-05	AC POWER CORD	T	
651	2B,1C	*	E35-1899-05	FLAT CABLE (23P)		
652	1C,2C	*	E35-1779-05	FLAT CABLE (23P)		
653	2B,1C	*	E35-1902-05	FLAT CABLE (21P)		
654	1C,2C		E35-1778-05	FLAT CABLE (21P)		
655	2A		E35-1810-05	WIRING HARNESS		
660	1A		F07-1602-04	COVER		
-	-	-	G11-0153-04	SOFT TAPE (80X12X3)		
-	-	-	H10-7286-12	POLYSTYRENE FOAMED FIXTURE	E	
-	-	-	H10-7287-22	POLYSTYRENE FOAMED FIXTURE	E	
-	-	-	H10-7288-12	POLYSTYRENE FOAMED FIXTURE	T	
-	-	-	H10-7289-22	POLYSTYRENE FOAMED FIXTURE	T	
-	-	-	H11-0085-04	POLYSTYRENE FOAMED BOARD	E	
-	-	-	H11-0086-04	POLYSTYRENE FOAMED BOARD	T	
-	-	-	H25-0232-04	PROTECTION BAG (235X350X0.03)	E	
-	-	-	H25-0651-04	PROTECTION BAG	T	
-	-	-	H25-1516-04	PROTECTION BAG	T	
-	-	-	H30-0100-04	ADHESIVE DOUBLE-COATED TAPE	T	
-	-	-	H50-2382-14	ITEM CARTON CASE	E	
-	-	-	H50-2383-14	ITEM CARTON CASE	T	
670	2C		J02-1188-03	FOOT		
672	1C		J19-3642-05	UNIT HOLDER		
673	1C,2C		J19-3732-04	UNIT HOLDER		
674	1A	*	J19-5833-05	LEAD HOLDER		
678	1C		J42-0083-05	POWER CORD BUSHING		
-	-	-	J61-0098-05	WIRE BAND		
680	2A		K29-6660-04	KNOB		
681	2A	*	K29-6664-02	KNOB		
682	2A	*	K29-6665-02	KNOB		
683	2A	*	K29-6666-02	KNOB		
690	2C	*	L07-2338-05	POWER TRANSFORMER		
691	2A		S64-0026-05	LEVER SWITCH		
692	2A		T42-0882-05	DC MOTOR		
693	1A	*	T90-0810-05	LEAD WIRE ANTENNA		
694	1A		T90-0820-05	LOOP ANTENNA		
695	1A		W01-0935-05	MICROPHONE		
TUNER (X05-4670-21)						
C1 ,2			CK73FB1H103K	CHIP C	0.010UF	K
C5			CK73FB1H102K	CHIP C	1000PF	K
C8			CK73FB1H103K	CHIP C	0.010UF	K
C9			CE04LW1C100M	ELECTRO	10UF	16WV
C10			CK73FB1H473K	CHIP C	0.047UF	K
C11			CE04LW1H010M	ELECTRO	1.0UF	50WV
C12			CE04LW1H2R2M	ELECTRO	2.2UF	50WV
C13			CK73FB1H102K	CHIP C	1000PF	K

L : Scandinavia
Y : PX(Far East, Hawaii)
Y : AAFES(Europe)

K : USA
T : Europe
X : Australia

P : Canada
E : Europe
M : Other Areas

R : Mexico
G : Germany

⚠ indicates safety critical components.

C-V500/V550/V700/V750/V770

PARTS LIST

* New Parts
Parts without **Parts No.** are not supplied.
Les articles non mentionnés dans le **Parts No.** ne sont pas fournis.
Teile ohne **Parts No.** werden nicht geliefert.

6

Ref. No	Add-ress	New Parts	Parts No.	Description	Desti-nation	Re-marks
C14			CE04LW1H010M	ELECTRO		
C15			CC73FCH1H220J	CHIP C		50WV
C16			CE04LW1C100M	ELECTRO		J
C17			CK73FB1H562K	CHIP C		16WV
C18			CK73FB1H102K	CHIP C		K
C19			CE04HW1E4R7M	NP-ELEC		K
C20			CK73FB1E104K	CHIP C		25WV
C21 ,22			CQ93FMG1H113J	MYLAR		K
C23			CE04LW1H010M	ELECTRO		J
C25			CE04LW1C100M	ELECTRO		50WV
C26			CE04LW1C470M	ELECTRO		16WV
C27			CE04LW1H010M	ELECTRO		50WV
C28			CQ93FMG1H223J	MYLAR		J
C29			CE04LW1H2R2M	ELECTRO		0.022UF
C30			CE04LW1C101M	ELECTRO		2.2UF
C31			CE04LW1A470M	ELECTRO		100UF
C32			CK73FB1H103K	CHIP C		16WV
C33			CC73FSL1H101J	CHIP C		K
C34 ,35			CK73FB1H102K	CHIP C		J
C36			CC73FCH1H270J	CHIP C		J
C37			CC73FCH1H220J	CHIP C		J
C38			CK73FB1H471K	CHIP C		K
C57 ,58			CE04LW1H010M	ELECTRO		50WV
C59 ,60			CE04LW1C100M	ELECTRO		16WV
C61 ,62			CQ93FMG1H472J	MYLAR		J
C63			CC73FCH1H220J	CHIP C		J
C64			CC73FCH1H330J	CHIP C		J
C65			CC73FCH1H040C	CHIP C		C
C67			CK73FB1H102K	CHIP C		K
CN1			E40-4609-05	PIN ASSY		
J1			E70-0052-05	LOCK TERMINAL BOARD		YMIC
CF1 ,2			L72-0531-05	CERAMIC FILTER		
CF3			L72-0593-05	CERAMIC FILTER		
L1			L39-1348-05	COMBINATION COIL		
L2			L30-0911-05	AM IFT		
L3 ,4			L40-1091-17	SMALL FIXED INDUCTOR(1UH)		
X1			L77-1122-05	CRYSTAL RESONATOR(7.2MHZ)		Y
X1			L77-2159-05	CRYSTAL RESONATOR(7.2MHZ)		
X2			L78-0637-05	RESONATOR (456KHZ)		
R1			RK73FB2A332J	CHIP R		3.3K
R2			RK73FB2A681J	CHIP R		680
R3			RK73FB2A100J	CHIP R		10
R4 ,5			RK73FB2A331J	CHIP R		330
R6			RK73FB2A101J	CHIP R		100
R7			RK73FB2A473J	CHIP R		47K
R8			RK73FB2A331J	CHIP R		330
R12			RK73FB2A102J	CHIP R		1.0K
R13			RK73FB2A473J	CHIP R		47K
R15 ,16			RK73FB2A393J	CHIP R		39K
R17			RK73FB2A271J	CHIP R		270
R18			RK73FB2A302J	CHIP R		3.0K
R19			RK73FB2A822J	CHIP R		8.2K
R20 -23			RK73FB2A102J	CHIP R		1.0K
R24			RK73FB2A562J	CHIP R		5.6K

L : Scandinavia
Y : PX(Far East, Hawaii)
Y : AAFES(Europe)

K : USA
T : Europe
X : Australia

P : Canada
E : Europe
M : Other Areas

R : Mexico
G : Germany

⚠ indicates safety critical components.

PARTS LIST

* New Parts
Parts without **Parts No.** are not supplied.
Les articles non mentionnés dans le **Parts No.** ne sont pas fournis.
Teile ohne **Parts No.** werden nicht geliefert.

* New Parts
Parts without **Parts No.** are not supplied.
Les articles non mentionnés dans le **Parts No.** ne sont pas fournis.
Teile ohne **Parts No.** werden nicht geliefert.

Ref. No	Add-ress	New Parts	Parts No.	Description	Desti-nation	Re-marks
Q5			2SC4116(Y,GR)	TRANSISTOR	Y	
Q5			2SD1819A(Q,R)	TRANSISTOR	MIXC	
Q6			2SA1576A(R,S)	TRANSISTOR	Y	
Q6			2SA1586(Y,GR)	TRANSISTOR	MIXC	
Q6			2SB1218A(Q,R)	TRANSISTOR	Y	
Q7 ,8			2SD1757K	TRANSISTOR	Y	
Q7 ,8			2SD2114K	TRANSISTOR	MIXC	
Q9 ,10			2SC4081(R,S)	TRANSISTOR	MIC	
Q9 ,10			2SC4116(Y,GR)	TRANSISTOR	Y	
Q9 ,10			2SD1819A(Q,R)	TRANSISTOR	MIC	
A1			W02-2582-05	FM FRONT-END ASSY		
TUNER (X05-4680-10)						
C1			CE04LW1C470M	ELECTRO		16WV
C2			CE04LW1H010M	ELECTRO		50WV
C3			CK73FB1H103K	CHIP C		K
C5			CK73FB1H103K	CHIP C		K
C6 -10			CK73FB1H103K	CHIP C		K
C30			CK73EB1E473K	CHIP C		K
C31			CE04LW1C470M	ELECTRO		16WV
C32			CK73FB1H103K	CHIP C		K
C33			CE04LW1C100M	ELECTRO		16WV
C34			CK73FB1H103K	CHIP C		K
C35			CE04LW1C100M	ELECTRO		16WV
C36			CK73FB1E473K	CHIP C		K
C37			CK73FB1H103K	CHIP C		K
C38			C90-3217-05	ELECTRO		10WV
C40			C90-3253-05	ELECTRO		50WV
C41			C90-3251-05	ELECTRO		50WV
C42			C90-3240-05	ELECTRO		35WV
C43			CE04LW1HR47M	ELECTRO		50WV
C44			CK73FB1E473K	CHIP C		K
C45			CC73FCH1H220J	CHIP C		J
C46			CE04LW1A101M	ELECTRO		10WV
C47			CK73FB1H472K	CHIP C		K
C48			CC73FSL1H101J	CHIP C		J
C49			CE04LW1H010M	ELECTRO		50WV
C50			CK73FB1H152K	CHIP C		K
C51 ,52			C90-3217-05	ELECTRO		10WV
C53 ,54			CK73FB1H273K	CHIP C		K
C53 ,54			CK73FB1H333K	CHIP C		K
C55 ,56			CE04LW1H2R2M	ELECTRO		50WV
C57 ,58			CK73FB1H822K	CHIP C		K
C59			CC73FSL1H101J	CHIP C		J
C60			CK73FB1E104K	CHIP C		K
C61			CK73FB1H103K	CHIP C		K
C62			CK73FB1H333K	CHIP C		K
C63			CC73FCH1H090D	CHIP C		D
C64			CK73FB1H333K	CHIP C		K
C66			CC73FCH1H060D	CHIP C		D
C67			CC73FCH1H220J	CHIP C		J
C68			CC73FSL1H020C	CHIP C		C
C70			CC73FSL1H101J	CHIP C		J
C73			CK73FB1H821K	CHIP C		K
C81			CC73FCH1H220J	CHIP C		J

L : Scandinavia
Y : PX(Far East, Hawaii)
Y : AAFES(Europe)

K : USA
T : Europe
X : Australia

P : Canada
E : Europe
M : Other Areas

R : Mexico
G : Germany

⚠ indicates safety critical components.

Ref. No	Add-ress	New Parts	Parts No.	Description	Desti-nation	Re-marks
R25			RD14NB2E101J	RD		1/4W
R26			RD14NB2E561J	RD		1/4W
R27 ,28			RK73FB2A103J	CHIP R		1/10W
R29 ,30			RK73FB2A102J	CHIP R		1/10W
R31			RK73FB2A103J	CHIP R		1/10W
R32			RK73FB2A122J	CHIP R		1/10W
R33			RK73FB2A123J	CHIP R		1/10W
R41			RS14KB3A271J	FL-PROOF RS		1W
R42			RD14NB2E271J	RD		1/4W
R44			RK73FB2A101J	CHIP R		1/10W
R46			RK73FB2A104J	CHIP R		1/10W
R47			RK73FB2A153J	CHIP R		1/10W
R48			RK73FB2A473J	CHIP R		1/10W
R49			RK73FB2A473J	CHIP R		1/10W
R50			RK73FB2A471J	CHIP R		1/10W
R51 ,54			RK73FB2A473J	CHIP R		1/10W
R55 ,56			RK73FB2A154J	CHIP R		1/10W
R59 ,60			RK73FB2A332J	CHIP R		1/10W
R61			RK73FB2A103J	CHIP R		1/10W
R62			RK73FB2A563J	CHIP R		1/10W
R63			RK73FB2A821J	CHIP R		1/10W
R64			RK73FB2A102J	CHIP R		1/10W
R65			RK73EB2B102J	CHIP R		1/8W
R73			RK73FB2A681J	CHIP R		1/10W
W101-106			R92-0670-05	CHIP R		0 OHM
W108-113			R92-0670-05	CHIP R		0 OHM
W115			R92-0670-05	CHIP R		0 OHM
W201-212			R92-0679-05	CHIP R		0 OHM
S1			S62-0034-05	SLIDE SWITCH		YMIC
D1 ,2			HSS104	DIODE		
D3 ,4			1SS133	DIODE		
D3 ,4			HZS5.1N(B2)	ZENER DIODE		Y
D3 ,4			MTZJ5.1(B)	ZENER DIODE		MIXC
D3 ,4			RD5.1ES(B2)	ZENER DIODE		Y
D3 ,4			UZ-5.1BSB	ZENER DIODE		MIXC
D8			HSS104	DIODE		
D8			1SS133	DIODE		
D10			MA111	DIODE		
D12			HZS3.3N(B2)	ZENER DIODE		Y
D12			MTZJ3.3(B)	ZENER DIODE		MIXC
D12			RD3.3ES(B2)	ZENER DIODE		MIXC
D12			UZ-3.3BSB	ZENER DIODE		Y
D13			HZS2.7N(B2)	ZENER DIODE		MIXC
D13			MTZJ2.7(B)	ZENER DIODE		MIXC
D13			RD2.7ES(B2)	ZENER DIODE		Y
D13			UZ-2.7BSB	ZENER DIODE		MIXC
IC1			LA1832	ANALOGUE IC		
IC2			LC72131	MOS-IC		
IC4			NJM4565M	IC(OP AMP X2)		
Q1			2SC2714(R,O)	TRANSISTOR		
Q3			2SA1576A(R,S)	TRANSISTOR		
Q3			2SA1586(Y,GR)	TRANSISTOR		
Q3			2SB1218A(Q,R)	TRANSISTOR		
Q5			2SC4081(R,S)	TRANSISTOR		

L : Scandinavia
Y : PX(Far East, Hawaii)
Y : AAFES(Europe)

K : USA
T : Europe
X : Australia

P : Canada
E : Europe
M : Other Areas

R : Mexico
G : Germany

⚠ indicates safety critical components.

C-V500/V550/V700/V750/V770

PARTS LIST

* New Parts
Parts without **Parts No.** are not supplied.
Les articles non mentionnés dans le **Parts No.** ne sont pas fournis.
Teile ohne **Parts No.** werden nicht geliefert.

⑩

Ref. No	Add-ress	New Parts	Parts No.	Description	Desti-nation	Re-marks
R33			RK73FB2A302J	3.0K		
R34			RK73FB2A822J	8.2K		
R35			RK73FB2A333J	33K		
R36			RK73FB2A393J	39K		
R37			RK73FB2A242J	2.4K		
R38			RK73FB2A333J	33K		
R39			RK73FB2A823J	82K		
R40			RK73FB2A202J	2.0K		
R41			RK73FB2A222J	2.2K		
R42			RK73FB2A202J	2.0K		ET
R43 ,44			RK73FB2A222J	2.2K		
R45 ,46			RK73FB2A102J	1.0K		
R47 ,48			RK73FB2A392J	3.9K		
R49			RK73FB2A473J	47K		
R51			RK73FB2A392J	3.9K		ET
R52			RK73FB2A104J	100K		ET
R53			RK73FB2A102J	1.0K		ET
R55			RK73FB2A562J	5.6K		ET
R56 ,57			RK73FB2A101J	100		ET
R59			RK73FB2A272J	2.7K		
R61			RK73FB2A223J	22K		T
R62			RK73FB2A105J	1.0M		T
R63			RK73FB2A473J	47K		T
R64			RK73FB2A103J	10K		T
R65			RK73FB2A153J	15K		T
R66			RK73FB2A152J	1.5K		T
R67			RK73FB2A104J	100K		T
R68			RK73FB2A222J	2.2K		T
R69			RK73FB2A103J	10K		T
R70			RK73FB2A105J	1.0M		T
R80			RK73EB2B102J	1.0K		1/8W
R81 -83			RK73FB2A102J	1.0K		1/10W
R84			RK73FB2A103J	10K		1/10W
R85 -88			RK73FB2A102J	1.0K		1/10W
R89			RD14NB2E101J	100		1/4W
R90			RK73FB2A562J	5.6K		1/10W
R91			RK73FB2A222J	2.2K		1/10W
R92			RK73FB2A123J	12K		1/10W
R93			RK73FB2A122J	1.2K		1/10W
R94			RD14NB2E561J	560		1/4W
R101,102			RK73FB2A102J	1.0K		1/10W
R103			RK73FB2A821J	820		1/10W
R104			RK73FB2A473J	47K		1/10W
R105			RK73FB2A822J	8.2K		1/10W
W51 ,52			R92-0670-05	0 OHM		KPE
W53			R92-0670-05	0 OHM		T
W54 ,55			R92-0670-05	0 OHM		KPE
W56			R92-0679-05	0 OHM		T
W57 ,58			R92-0679-05	0 OHM		
W59			R92-0670-05	0 OHM		
W61			R92-0670-05	0 OHM		
W62 -64			R92-0679-05	0 OHM		
W66 ,67			R92-0679-05	0 OHM		
W71			R92-0670-05	0 OHM		
W75			R92-0670-05	0 OHM		

L : Scandinavia
Y : PX(Far East, Hawaii)
Y : AAFES(Europe)

K : USA
T : Europe
X : Australia

P : Canada
E : Europe
M : Other Areas

R : Mexico
G : Germany

⚠ indicates safety critical components.

* New Parts
Parts without **Parts No.** are not supplied.
Les articles non mentionnés dans le **Parts No.** ne sont pas fournis.
Teile ohne **Parts No.** werden nicht geliefert.

⑨

Ref. No	Add-ress	New Parts	Parts No.	Description	Desti-nation	Re-marks
C82			CC73FCH1H270J	27PF		
C84			CK73FB1H102K	1000PF		
C85			CC73FSL1H101J	100PF		
C86			CK73FB1H102K	1000PF		
C87			CE04LW1C100M	10UF		16WV
C89			CE04LW1C470M	47UF		16WV
C90			CE04LW1H2R2M	2.2UF		50WV
C91			CK73FB1H223K	0.022UF		K
C92			CC73FSL1H471J	470PF		J
C93			CK73FB1H103K	0.010UF		K
C96			CK73FB1H102K	1000PF		K
CN1			E40-4609-05	PIN ASSY		
CN2			E40-4871-05	PIN ASSY		
J1			E70-0052-05	LOCK TERMINAL BOARD		
CF1 ,2			L72-0536-05	CERAMIC FILTER		ET
CF1 ,2			L72-0596-05	CERAMIC FILTER		KP
L31			L30-0943-05	FM IFT		
L32			L30-0944-05	FM IFT		
L33			L30-0911-05	AM IFT		
L34			L79-1240-05	LC FILTER		ET
L35 ,36			L79-1239-05	LC FILTER		
L61			L40-1091-17	SMALL FIXED INDUCTOR(1UH)		
L62			L39-1351-05	COMBINATION COIL		KPE
L62			L39-1352-05	COMBINATION COIL		T
L63			L40-1001-17	SMALL FIXED INDUCTOR(10UH,K)		
L81			L40-1091-17	SMALL FIXED INDUCTOR(1UH)		
X31			L78-0637-05	RESONATOR (456KHZ)		
X81			L77-2159-05	CRYSTAL RESONATOR(7.2MHZ)		
R1			RD14NB2E221J	RD		1/4W
R2			RK73FB2A221J	220		J
R3			RK73FB2A182J	1.8K		J
R3			RK73FB2A561J	560		J
R4			RK73FB2A222J	2.2K		J
R5			RK73FB2A103J	10K		J
R7			RK73FB2A221J	220		J
R8			RK73FB2A681J	680		J
R9			RK73FB2A470J	47		J
R10			RK73FB2A101J	100		J
R11			RK73FB2A331J	330		J
R12			RK73FB2A101J	100		J
R13			RK73FB2A681J	680		J
R14			RK73FB2A332J	3.3K		J
R15			RK73FB2A331J	330		J
R16			RK73FB2A100J	10		J
R16			RK73FB2A150J	15		J
R17			RK73FB2A331J	330		J
R18			RK73FB2A391J	390		J
R19			RK73FB2A681J	680		J
R20			RK73FB2A100J	10		J
R20			RK73FB2A150J	15		J
R21			RK73FB2A101J	100		J
R22			RK73FB2A100J	10		J
R31			RS14KB3A151JFR	FL-PROOF RS		1W
R32			RK73EB2B562J	5.6K		J

L : Scandinavia
Y : PX(Far East, Hawaii)
Y : AAFES(Europe)

K : USA
T : Europe
X : Australia

P : Canada
E : Europe
M : Other Areas

R : Mexico
G : Germany

⚠ indicates safety critical components.

PARTS LIST

* New Parts
Parts without **Parts No.** are not supplied.
Les articles non mentionnés dans le **Parts No.** ne sont pas fournis.
Teile ohne **Parts No.** werden nicht geliefert.

12

Ref. No	Add-ress	New Parts	Parts No.	Description	Desti-nation	Re-marks
C19			CE04KW1A101M	ELECTRO		
C20			CK73FB1H103K	CHIP C		
C23			CK73FB1H822K	CHIP C		
C24			CC73FSL1H150J	CHIP C		
C25			CC73FSL1H100D	CHIP C		
C26			CK73FB1H103K	CHIP C		
C27 ,28			CK73FF1E104Z	CHIP C		
C29			CE04KW1A101M	ELECTRO		
C30			CK73FB1H103K	CHIP C		
C31 ,32			CK73FF1E104Z	CHIP C		
C33			CE04KW1A101M	ELECTRO		
C34			CK73FB1H103K	CHIP C		
C35 ,36			CC73FSL1H100D	CHIP C		
C37 ,38			CE04KW1H100M	ELECTRO		
C39 ,40			CC73FSL1H101J	CHIP C		
C41 ,42			CC73FSL1H100D	CHIP C		
C43 ,44			CE04KW1H100M	ELECTRO		
C45 ,46			CK73FB1H681K	CHIP C		
C47			CK73FB1H103K	CHIP C		
C48			CE04KW1A101M	ELECTRO		
C49 ,50			CK73FF1E104Z	CHIP C		
C51			CC73FSL1H102J	CHIP C		
C52			CE04KW1H2R2M	ELECTRO		
C53			CK73FB1H103K	CHIP C		
C54 -56			CC73FSL1H101J	CHIP C		
C57			CE04KW0J331M	ELECTRO		
C58			CC73FSL1H101J	CHIP C		
C59			CE04KW0J331M	ELECTRO		
C60 ,61			CC73FSL1H101J	CHIP C		
C62			CE04KW0J331M	ELECTRO		
C63			CC73FSL1H101J	CHIP C		
C64			CE04KW0J331M	ELECTRO		
C65			CK73FB1H103K	CHIP C		
C67			CE04KW1C100M	ELECTRO		
C68			CC73FSL1H050C	CHIP C		
C69			CF92FV1H104J	MF-C		
C70			CC73FSL1H050C	CHIP C		
C71			CF92FV1H104J	MF-C		
C72			CE04KW1A471M	ELECTRO		
C73			CE04KW1A101M	ELECTRO		
C74			CE04KW1A471M	ELECTRO		
C75			CK73FB1H822K	CHIP C		
C76			CK73FB1H102K	CHIP C		
C77			CC73FSL1H220J	CHIP C		
C78			CC73FSL1H220J	CHIP C		
C79			CK73FF1E104Z	CHIP C		
C80 ,81			CK73FF1E104Z	CHIP C		
C82			CK73FB1H103K	CHIP C		
C83			CE04KW1C100M	ELECTRO		
C84			CE04KW1A101M	ELECTRO		
C85			CK73FF1E104Z	CHIP C		
C86			CK73FF1E104Z	CHIP C		
C87 ,88			CC73FSL1H470J	CHIP C		
C89			CK73FB1H102K	CHIP C		
C90 -99			CK73FF1E104Z	CHIP C		

L : Scandinavia
Y : PX(Far East, Hawaii)
Y : AAFES(Europe)

K : USA
T : Europe
X : Australia

P : Canada
E : Europe
M : Other Areas

R : Mexico
G : Germany

△ indicates safety critical components.

* New Parts
Parts without **Parts No.** are not supplied.
Les articles non mentionnés dans le **Parts No.** ne sont pas fournis.
Teile ohne **Parts No.** werden nicht geliefert.

11

Ref. No	Add-ress	New Parts	Parts No.	Description	Desti-nation	Re-marks
W76			R92-0670-05	CHIP R	T	
W81			R92-0679-05	CHIP R		
W83			R92-0679-05	CHIP R		
W85			R92-0670-05	CHIP R	ET	
D1 ,2			HSS104	DIODE		
D1 ,2			1SS133	DIODE		
D31			HZS8.2N(B2)	ZENER DIODE		
D31			RD8.2ES(B2)	ZENER DIODE		
D32			HSS104	DIODE		
D32			1SS133	DIODE		
D61 ,62			HSS104	DIODE		
D61 ,62			1SS133	DIODE		
D81			HZS5.1N(B2)	ZENER DIODE		
D81			RD5.1ES(B2)	ZENER DIODE		
D101			HZS3.3N(B2)	ZENER DIODE		
D101			RD3.3ES(B2)	ZENER DIODE		
D102			HZS2.7N(B2)	ZENER DIODE		
D102			RD2.7ES(B2)	ZENER DIODE		
IC1			LA1836	ANALOGUE IC		
IC2			LC72131	MOS-IC		
Q1 ,2			2SC4081(R,S)	TRANSISTOR		
Q1 ,2			2SC4116(Y,GR)	TRANSISTOR		
Q3			2SA1576A(R,S)	TRANSISTOR		
Q3			2SA1586(Y,GR)	TRANSISTOR		
Q4			2SC4081(R,S)	TRANSISTOR		
Q4			2SC4116(Y,GR)	TRANSISTOR		
Q31 ,32			2SC4081(R,S)	TRANSISTOR		
Q31 ,32			2SC4116(Y,GR)	TRANSISTOR		
Q33 ,34			2SC4081(R,S)	TRANSISTOR		
Q33 ,34			2SC4116(Y,GR)	TRANSISTOR		
Q61 ,62			2SC4081(R,S)	TRANSISTOR		
Q61 ,62			2SC4116(Y,GR)	TRANSISTOR		
Q63			2SC2878(B)	TRANSISTOR		
Q63			2SA1576A(R,S)	TRANSISTOR		
Q64			2SA1586(Y,GR)	TRANSISTOR		
Q64			2SA1586(Y,GR)	TRANSISTOR		
Q65			2SK302(Y,GR)	FET		
Q81			2SA1576A(R,S)	TRANSISTOR		
Q81			2SA1586(Y,GR)	TRANSISTOR		
Q101,102			2SD1757K	TRANSISTOR		
Q103			2SA1576A(R,S)	TRANSISTOR		
Q103			2SA1586(Y,GR)	TRANSISTOR		
A1			W02-2582-05	FM FRONT-END ASSY		
A1		*	W02-2584-05	FM FRONT-END ASSY	KP	
PREAMP (X08-2770-10/X08-2820-20)						
C1 ,2			CC73FSL1H220J	CHIP C	J	
C3			CK73FF1E104Z	CHIP C	Z	
C4 -7			CC73FSL1H221J	CHIP C	J	
C8			CE04KW1A101M	ELECTRO	10WV	
C9			CK73FB1H103K	CHIP C	K	
C10			CK73FF1E104Z	CHIP C	Z	
C11			CE04KW1H010M	ELECTRO	50WV	
C12			C90-3623-05	BACK UP	5.5V	
C13 ,14			CE04KW1A101M	ELECTRO	10WV	
C15 -18			CK73FF1E104Z	CHIP C	Z	

L : Scandinavia
Y : PX(Far East, Hawaii)
Y : AAFES(Europe)

K : USA
T : Europe
X : Australia

P : Canada
E : Europe
M : Other Areas

R : Mexico
G : Germany

△ indicates safety critical components.

PARTS LIST

* New Parts
Parts without **Parts No.** are not supplied.
Les articles non mentionnés dans le **Parts No.** ne sont pas fournis.
Teile ohne **Parts No.** werden nicht geliefert.

14

Ref. No	Add-ress	New Parts	Parts No.	Description	16WV	Desti-nation	Re-marks
C456-458			CE04KW1C100M	ELECTRO	10UF	CET	
C459			CK73FB1H103K	CHIP C	0.010UF	CET	
C460			CK73FB1H333K	CHIP C	0.033UF	CET	
C461			CK73FB1H182K	CHIP C	1800PF	CET	
C462,463			CK73FF1E104Z	CHIP C	0.10UF	CET	
C464,465			CE04KW1C100M	ELECTRO	10UF	CET	
C466			CK73FB1H103K	CHIP C	0.010UF	CET	
C467			CE04KW1A101M	ELECTRO	100UF	CET	
C471			CK73FB1H333K	CHIP C	0.033UF	CET	
C482			CK73FB1H103K	CHIP C	0.010UF	CET	
C501,502			CE04KW1H4R7M	ELECTRO	4.7UF	50WV	
C503,504			CC73FSL1H101J	CHIP C	100PF	J	
C505,506			CK73FB1H103K	CHIP C	0.010UF	K	
C507,508			CQ93FMG1H682J	MYLAR	6800PF	J	
C509,510			CQ93FMG1H182J	MYLAR	1800PF	J	
C517,518			CE04KW1H4R7M	ELECTRO	4.7UF	50WV	
C519,520			CC73FSL1H101J	CHIP C	100PF	J	
C521,522			CK73FB1H103K	CHIP C	0.010UF	K	
C523,524			CQ93FMG1H682J	MYLAR	6800PF	J	
C525,526			CQ93FMG1H182J	MYLAR	1800PF	J	
C527			CK73FB1H103K	CHIP C	0.010UF	K	
C529			CK73FB1H103K	CHIP C	0.010UF	K	
C535,536			CE04KW1H4R7M	ELECTRO	4.7UF	50WV	
C537,538			CC73FSL1H101J	CHIP C	100PF	J	
C539			CK73FB1H103K	CHIP C	0.010UF	K	
C541,542			CQ93FMG1H682J	MYLAR	6800PF	J	
C543,544			CQ93FMG1H182J	MYLAR	1800PF	J	
C561-564			CQ93FMG1H823J	MYLAR	0.082UF	J	
C565-568			CC73FSL1H101J	CHIP C	100PF	J	
C569,570			CE04KW1E470M	ELECTRO	47UF	25WV	
C573,574			CC73FSL1H271J	CHIP C	270PF	J	
C575			CK73FB1H103K	CHIP C	0.010UF	K	
C576			CC73FSL1H101J	CHIP C	100PF	J	
C577			CE04KW1H220M	ELECTRO	22UF	50WV	
C578			CK73FB1H103K	CHIP C	0.010UF	K	
C579			CC73FSL1H101J	CHIP C	100PF	J	
C580			CK73FB1H103K	CHIP C	0.010UF	K	
C581			CC73FSL1H101J	CHIP C	100PF	J	
C582-584			CE04KW1H220M	ELECTRO	22UF	50WV	
C591-594			CQ93FMG1H823J	MYLAR	0.082UF	J	
C595			CC73FSL1H101J	CHIP C	100PF	J	
C596			CK73FB1H103K	CHIP C	0.010UF	K	
C612			CC73FSL1H101J	CHIP C	100PF	J	
C613			CE04KW1C220M	ELECTRO	22UF	16WV	
C614			CF92FV1H104J	MF-C	0.10UF	J	
C615,616			CQ93FMG1H823J	MYLAR	0.082UF	J	
C617			CC73FSL1H101J	CHIP C	100PF	J	
C618			CF92FV1H154J	MF-C	0.15UF	J	
C619			CC73FSL1H101J	CHIP C	100PF	J	
C620			CQ93FMG1H393J	MYLAR	0.039UF	J	
C621			CE04KW1H220M	ELECTRO	22UF	50WV	
C623,624			CE04KW1V4R7M	ELECTRO	4.7UF	35WV	
C625,626			CE04KW1HR47M	ELECTRO	0.47UF	50WV	
C627,628			CE04KW1V4R7M	ELECTRO	4.7UF	35WV	
C629,630			CE04KW1HR47M	ELECTRO	0.47UF	50WV	

L : Scandinavia
Y : PX(Far East, Hawaii)
Y : AAFES(Europe)

K : USA
T : Europe
X : Australia

P : Canada
E : Europe
M : Other Areas

R : Mexico
G : Germany

△ indicates safety critical components.

* New Parts
Parts without **Parts No.** are not supplied.
Les articles non mentionnés dans le **Parts No.** ne sont pas fournis.
Teile ohne **Parts No.** werden nicht geliefert.

13

Ref. No	Add-ress	New Parts	Parts No.	Description	10WV	Desti-nation	Re-marks
C100			CC73FSL1H100D	CHIP C	10PF	D	
C101			CC73FSL1H150J	CHIP C	15PF	J	
C102			CK73FB1H103K	CHIP C	0.010UF	K	
C103-105			CE04KW1A101M	ELECTRO	100UF	10WV	
C106			CK73FF1E104Z	CHIP C	0.10UF	Z	
C107			CK73FB1H102K	CHIP C	1000PF	K	
C108			CK73FF1E104Z	CHIP C	0.10UF	Z	
C109			CC73FSL1H330J	CHIP C	33PF	J	
C110			CK73FB1H103K	CHIP C	0.010UF	K	
C111			CK73FB1H102K	CHIP C	1000PF	K	
C112-115			CE04KW1A101M	ELECTRO	100UF	10WV	
C116			CK73FF1E104Z	CHIP C	0.10UF	Z	
C117-120			CC73FSL1H101J	CHIP C	100PF	J	
C121			CE04HW1H010M	NP-ELEC	1.0UF	50WV	
C122,123			CK73FF1E104Z	CHIP C	0.10UF	Z	
C124,125			CE04KW1H4R7M	ELECTRO	4.7UF	50WV	
C302-304			CK73FF1E104Z	CHIP C	0.10UF	Z	MIXC
C307,308			CK73FF1E104Z	CHIP C	0.10UF	Z	MIXC
C309			CE04KW1A101M	ELECTRO	100UF	10WV	MIXC
C310			CE04KW1A101M	ELECTRO	100UF	10WV	MIXC
C311			CF92FV1H104J	MF-C	0.10UF	J	MIXC
C312,313			CF92FV1H104J	MF-C	0.10UF	J	MIXC
C314			CF92FV1H104J	MF-C	0.10UF	J	MIXC
C315			CE04KW1C100M	ELECTRO	10UF	16WV	MIXC
C316			CE04KW1C100M	ELECTRO	10UF	16WV	MIXC
C317-321			CK73FF1E104Z	CHIP C	0.10UF	Z	MIXC
C322			CK73FB1H102K	CHIP C	1000PF	K	MIXC
C323			CE04KW1C470M	ELECTRO	47UF	16WV	MIXC
C324			CC73FSL1H470J	CHIP C	47PF	J	MIXC
C325			CK73FF1E104Z	CHIP C	0.10UF	Z	MIXC
C326			CK73FB1H102K	CHIP C	1000PF	K	MIXC
C327			CK73FF1E104Z	CHIP C	0.10UF	Z	MIXC
C328,329			CK73FF1C47Z	CHIP C	0.47UF	Z	MIXC
C330-333			CK73FF1E104Z	CHIP C	0.10UF	Z	MIXC
C334			CE04KW1A101M	ELECTRO	100UF	10WV	MIXC
C335			CK73FF1E104Z	CHIP C	0.10UF	Z	MIXC
C336			CE04KW1C470M	ELECTRO	47UF	16WV	MIXC
C337,338			CK73FF1E104Z	CHIP C	0.10UF	Z	MIXC
C340,341			CE04KW1C470M	ELECTRO	47UF	16WV	MIXC
C342,343			CK73FB1H103K	CHIP C	0.010UF	K	MIXC
C344-346			CK73FF1E104Z	CHIP C	0.10UF	Z	MIXC
C347			CK73FB1H102K	CHIP C	1000PF	K	MIXC
C351			CE04KW1H2R2M	ELECTRO	2.2UF	50WV	ET
C352			CC73FSL1H331J	CHIP C	330PF	J	ET
C353			CK73FF1E104Z	CHIP C	0.10UF	Z	ET
C354			CK73FB1H561K	CHIP C	560PF	K	ET
C355			CK73FF1E104Z	CHIP C	0.10UF	Z	ET
C356			CC73FSL1H330J	CHIP C	33PF	J	ET
C357			CC73FSL1H390J	CHIP C	39PF	J	ET
C401-404			CK73FF1E104Z	CHIP C	0.10UF	Z	ET
C406,407			CK73FF1E104Z	CHIP C	0.10UF	Z	ET
C451,452			CC73FSL1H270J	CHIP C	27PF	J	CET
C453			CK73FF1E104Z	CHIP C	0.10UF	Z	CET
C454			CE04KW1A101M	ELECTRO	100UF	10WV	CET
C455			CK73FF1E104Z	CHIP C	0.10UF	Z	CET

L : Scandinavia
Y : PX(Far East, Hawaii)
Y : AAFES(Europe)

K : USA
T : Europe
X : Australia

P : Canada
E : Europe
M : Other Areas

R : Mexico
G : Germany

△ indicates safety critical components.

C-V500/V550/V700/V750/V770

PARTS LIST

* New Parts
Parts without **Parts No.** are not supplied.
Les articles non mentionnés dans le **Parts No.** ne sont pas fournis.
Teile ohne **Parts No.** werden nicht geliefert.

15

Ref. No	Add-ress	New Parts	Parts No.	Description	Desti-nation	Re-marks
C631-632			CE04KW1V4R7M	ELECTRO		
C634-635			CE04KW1HR47M	ELECTRO		
C639-640			CE04KW1V4R7M	ELECTRO		
C641-643			CK73FB1H102K	CHIP C		
C645-646			CE04KW1H010M	ELECTRO		
C647-648			CC73FSL1H101J	CHIP C		
C649-650			CC73FSL1H220J	CHIP C		
C651-652			CC73FSL1H101J	CHIP C		
C653-654			CE04KW1A101M	ELECTRO		
C659-660			CE04KW1C470M	ELECTRO		
C661-662			CC73FSL1H101J	CHIP C		
C665-666			CC73FSL1H101J	CHIP C		
C671-672			CE04KW1V4R7M	ELECTRO		
C675-676			CE04KW1H010M	ELECTRO		
C677-678			CC73FSL1H101J	CHIP C		
C681-682			CC73FSL1H101J	CHIP C		
C685-686			CE04KW1C470M	ELECTRO		
C691-692			CE04KW1C470M	ELECTRO		
C701-702			CE04KW1V4R7M	ELECTRO		
C703			CK73FB1H102K	CHIP C		
C705-706			CE04KW1H010M	ELECTRO		
C713-714			CE04KW1C470M	ELECTRO		
C719-720			CE04KW1C470M	ELECTRO		
C730-731			CK73FB1H103K	CHIP C		
C750-751			CK73FB1H103K	CHIP C		
C752-753			CK73FB1H103K	CHIP C		
C801-802			CE04KW1H010M	ELECTRO		
C803-804			CC73FSL1H101J	CHIP C		
C805-806			CE04KW1H010M	ELECTRO		
C807			CC73FSL1H101J	CHIP C		
C808			CK73FB1H103K	CHIP C		
C811-812			CC73FSL1H221J	CHIP C		
C813-814			CQ93FMG1H823J	MYLAR		
C815-816			CQ93FMG1H153J	MYLAR		
C817-818			CE04KW1H100M	ELECTRO		
C819-820			CQ93FMG1H472J	MYLAR		
C821-822			CQ93FMG1H273J	MYLAR		
C833			CK73FB1H102K	CHIP C		
C834-835			CE04KW1H100M	ELECTRO		
C838			CK73FB1H102K	CHIP C		
C839-842			CC73FSL1H101J	CHIP C		
C851-852			CE04KW1V4R7M	ELECTRO		
C853-855			CK73FB1H103K	CHIP C		
C856			CC73FSL1H101J	CHIP C		
C857			CK73FB1H103K	CHIP C		
C858			CC73FSL1H101J	CHIP C		
C859			CK73FB1H103K	CHIP C		
C860			CC73FSL1H101J	CHIP C		
C861			CK73FB1H103K	CHIP C		
C862			CC73FSL1H101J	CHIP C		
C863			CK73FB1H103K	CHIP C		
C864			CC73FSL1H101J	CHIP C		
C865			CK73FB1H103K	CHIP C		
C866			CC73FSL1H101J	CHIP C		
C867			CK73FB1H103K	CHIP C		

L : Scandinavia
Y : PX(Far East, Hawaii)
Y : AAFES(Europe)

K : USA
T : Europe
X : Australia

P : Canada
E : Europe
M : Other Areas

R : Mexico
G : Germany

5 : C-V500/V550
7 : C-V700/V750/V770

Δ indicates safety critical components.

* New Parts
Parts without **Parts No.** are not supplied.
Les articles non mentionnés dans le **Parts No.** ne sont pas fournis.
Teile ohne **Parts No.** werden nicht geliefert.

16

Ref. No	Add-ress	New Parts	Parts No.	Description	Desti-nation	Re-marks
C868			CC73FSL1H101J	CHIP C		
C869			CK73FB1H103K	CHIP C		
C870			CC73FSL1H101J	CHIP C		
C871			CE04KW1H100M	ELECTRO		
C872			CE04HW1E100M	NP-ELEC		
C875-876			CE04KW1H010M	ELECTRO		
C877-878			CE04KW1C220M	ELECTRO		
C879-880			CC73FSL1H470J	CHIP C		
C881-886			CC73FSL1H101J	CHIP C		
C887-888			CC73FSL1H221J	CHIP C		
C901-932			CC73FSL1H101J	CHIP C		
C933-934			CC73FSL1H102J	CHIP C		
C935-938			CC73FSL1H101J	CHIP C		
C939-940			CC73FSL1H102J	CHIP C		
C941-944			CC73FSL1H101J	CHIP C		
C945-946			CC73FSL1H102J	CHIP C		
CN1	7		E40-4910-05	FLAT CABLE CONNECTOR		
CN3			E40-4908-05	FLAT CABLE CONNECTOR		
CN4			E40-4910-05	FLAT CABLE CONNECTOR		
CN5			E40-4297-05	FLAT CABLE CONNECTOR		
CN6			E40-4293-05	FLAT CABLE CONNECTOR		
CN7	7		E40-4906-05	FLAT CABLE CONNECTOR		
CN8	7		E40-4908-05	FLAT CABLE CONNECTOR		
CN9	5		E40-4900-05	FLAT CABLE CONNECTOR		
J1			E63-0160-05	PHONO JACK		
J1			E63-1012-05	PHONO JACK		
J2-3			E63-0162-05	PHONO JACK		
J4			E11-0220-05	MINIATURE PHONE JACK		
J4			E11-0283-05	MINIATURE PHONE JACK(3P)		
E2	5		J11-0808-05	WIRE CLAMPER		
E3	7		J11-0808-05	WIRE CLAMPER		
E3			J11-0808-05	WIRE CLAMPER		
L1			L92-0044-05	FERRITE CORE		
L2			L92-0044-05	FERRITE CORE		
L3			L92-0044-05	FERRITE CORE		
L5-11			L92-0044-05	FERRITE CORE		
L39			L79-1245-05	LC FILTER		
L301			L92-0044-05	FERRITE CORE		
L303-305			L92-0044-05	FERRITE CORE		
X1			L78-0284-05	RESONATOR (5MHZ)		
X2			L77-2173-05	CRYSTAL RESONATOR(32.768KHZ)		
X3			L78-0294-05	RESONATOR (10.000M)		
X4			L77-2194-05	CRYSTAL RESONATOR(5.0M)		
X5			L77-2192-05	CRYSTAL RESONATOR(12.288M)		
X7			L78-0626-05	RESONATOR (16M)		
X8			L78-0674-05	RESONATOR		
X9			L77-2200-05	CRYSTAL RESONATOR(4.332MHZ)		
R3-7			RK73FB2A104J	CHIP R		
R8			RK73FB2A101J	CHIP R		
R9			RK73FB2A104J	CHIP R		
R10			RK73FB2A101J	CHIP R		
R11	5		RK73FB2A472J	CHIP R		
R11	7		RK73FB2A472J	CHIP R		
R12	5		RK73FB2A472J	CHIP R		

L : Scandinavia
Y : PX(Far East, Hawaii)
Y : AAFES(Europe)

K : USA
T : Europe
X : Australia

P : Canada
E : Europe
M : Other Areas

R : Mexico
G : Germany

5 : C-V500/V550
7 : C-V700/V750/V770

Δ indicates safety critical components.

C-V500/V550/V700/V750/V770

PARTS LIST

* New Parts
Parts without **Parts No.** are not supplied.
Les articles non mentionnés dans le **Parts No.** ne sont pas fournis.
Teile ohne **Parts No.** werden nicht geliefert.

7

Ref. No	Add-ress	New Parts	Parts No.	Description	Desti-nation	Re-marks
R12	7		RK73FB2A472J	4.7K	MIXCE	
R13			RK73FB2A472J	4.7K	KPT	
R14			RK73FB2A472J	4.7K	Y	
R15			RK73FB2A104J	100K	YC	
R16			RK73FB2A472J	4.7K		
R17-24			RK73FB2A104J	100K		
R25			R92-1857-05	METAL GLAZE RESISTOR	KPYET	
R26			R92-1857-05	METAL GLAZE RESISTOR	MIXC	
R26			R92-1863-05	METAL GLAZE RESISTOR		
R27,28			RK73FB2A104J	100K		
R29-31			RK73FB2A472J	4.7K		
R32-33			RK73FB2A104J	100K		
R34			RK73FB2A103J	10K		
R35-36			RK73FB2A104J	100K		
R37	5		RK73FB2A104J	100K	KPMIX	
R37	7		RK73FB2A104J	100K	MIXET	
R38	5		RK73FB2A104J	100K		
R39			RK73FB2A104J	100K		
R40			RK73FB2A104J	100K	YT	
R41			RK73FB2A104J	100K		
R42	7		RK73FB2A104J	100K	MIXCE	
R42	5		RK73FB2A104J	100K	YMIX	
R43			RK73FB2A104J	100K		
R44,45			RK73FB2A104J	100K	ET	
R46			RK73FB2A104J	100K		
R51-54			RK73FB2A104J	100K		
R55,56			RK73FB2A472J	4.7K		
R57,58			RK73FB2A331J	330		
R59-62			RK73FB2A104J	100K		
R63			RK73FB2A821J	820		
R64			RK73FB2A103J	10K		
R65			RK73FB2A104J	100K		
R66			RK73FB2A102J	1.0K		
R67			RK73FB2A103J	10K		
R68			RK73FB2A102J	1.0K		
R69-76			RK73FB2A104J	100K		
R77			RK73FB2A101J	100		
R78			RK73FB2A333J	33K		
R79-95			RK73FB2A104J	100K		
R96-99			RK73FB2A101J	100		
R100-103			RK73FB2A103J	10K		
R104			RK73FB2A102J	1.0K		
R105-107			RK73FB2A104J	100K		
R108			RK73FB2A101J	100		
R109-115			RK73FB2A104J	100K		
R116			RK73FB2A102J	1.0K		
R117-122			RK73FB2A104J	100K		
R123-126			RK73FB2A101J	100		
R127-130			RK73FB2A104J	100K		
R131			RK73FB2A472J	4.7K	KPYTE	
R132			RK73FB2A472J	4.7K		
R133			RK73FB2A473J	47K	KPYTE	
R133			RK73FB2A472J	4.7K	MIXC	
R134			RK73FB2A473J	47K		
R135,136			RK73FB2A102J	1.0K		
R137			RK73FB2A104J	100K		

L : Scandinavia
Y : PX(Far East, Hawaii)
Y : AAFES(Europe)
K : USA
P : Canada
T : Europe
E : Europe
X : Australia
M : Other Areas
R : Mexico
G : Germany
5 : C-V500/V550
7 : C-V700/V750/V770
indicates safety critical components.

* New Parts
Parts without **Parts No.** are not supplied.
Les articles non mentionnés dans le **Parts No.** ne sont pas fournis.
Teile ohne **Parts No.** werden nicht geliefert.

7B

Ref. No	Add-ress	New Parts	Parts No.	Description	Desti-nation	Re-marks
R139,140			RK73FB2A101J	100		
R145			RK73FB2A104J	100K		
R153-156			RK73FB2A101J	100		
R157			RK73FB2A104J	100K		
R158			RK73FB2A105J	1.0M		
R159			RK73FB2A103J	10K		
R160			RK73FB2A102J	1.0K		
R161,162			RK73FB2A104J	100K		
R163-167			RK73FB2A101J	100		
R168			RK73FB2A103J	10K		
R169			RD14NB2E2R7J	2.7		
R170			RK73FB2A104J	100K		
R171,172			RK73FB2A101J	100		
R173			RK73FB2A104J	100K		
R174			RK73FB2A101J	100		
R175			RK73FB2A104J	100K		
R176			RK73FB2A102J	1.0K		
R177			RK73FB2A104J	100K		
R178			RK73FB2A222J	2.2K		
R179-181			RK73FB2A104J	100K		
R182			RK73FB2A105J	1.0M		
R183-186			RK73FB2A101J	100		
R187			RD14NB2E100J	10		
R188,189			RK73FB2A101J	100		
R190			RD14NB2E100J	10		
R195,196			RK73FB2A472J	4.7K		
R197,198			RK73FB2A102J	1.0K		
R199			RK73FB2A473J	47K		
R200			RD14NB2E100J	10		
R201-203			R92-1857-05	METAL GLAZE RESISTOR		
R204			RK73FB2A750J	75		
R205			R92-1857-05	METAL GLAZE RESISTOR		
R206			RK73FB2A750J	75		
R208			RK73FB2A101J	100		
R211-213			RK73FB2A101J	100		
R215			RK73FB2A102J	1.0K		
R217-243			RK73FB2A101J	100		
R245,246			RK73FB2A222J	2.2K		
R247,248			RK73FB2A472J	4.7K		
R249-252			RK73FB2A104J	100K		
R253,254			RK73FB2A101J	100		
R255,256			RK73FB2A104J	100K		
R257,258			RK73FB2A471J	470		
R302			RK73FB2A105J	1.0M		
R304,305			RK73FB2A102J	1.0K		
R306			RK73FB2A101J	100		
R307			RK73FB2A131J	130		
R308			RK73FB2A121J	120		
R309			RK73FB2A511J	510		
R310			RK73FB2A222J	2.2K		
R311			RK73FB2A151J	150		
R312			RK73FB2A222J	2.2K		
R313,314			RK73FB2A102J	1.0K		
R315			RK73FB2A152J	1.5K		
R316			RK73FB2A102J	1.0K		

L : Scandinavia
Y : PX(Far East, Hawaii)
Y : AAFES(Europe)
K : USA
P : Canada
T : Europe
E : Europe
X : Australia
M : Other Areas
R : Mexico
G : Germany
5 : C-V500/V550
7 : C-V700/V750/V770
indicates safety critical components.

C-V500/V550/V700/V750/V770

PARTS LIST

* New Parts
Parts without **Parts No.** are not supplied.
Les articles non mentionnés dans le **Parts No.** ne sont pas fournis.
Teile ohne **Parts No.** werden nicht geliefert.

29

Ref. No	Add-ress	New Parts	Parts No.	Description	Re-marks
R539,540			RK73FB2A392J	3.9K	MIX
R541			RK73FB2A163J	16K	
R551,552			RK73FB2A104J	100K	
R553,554			RK73FB2A153J	15K	
R555,556			RK73FB2A303J	30K	
R559,560			RK73FB2A392J	3.9K	
R561,562			RK73FB2A104J	100K	
R563,564			RK73FB2A101J	100	
R565-568			RK73FB2A222J	2.2K	
R569,570			RK73FB2A101J	100	
R571			RK73FB2A103J	10K	
R572			RK73FB2A104J	100K	
R573,574			RK73FB2A513J	51K	
R575,576			RK73FB2A472J	4.7K	
R577,578			RK73FB2A392J	3.9K	
R579-581			RK73FB2A104J	100K	
R582			RK73FB2A101J	100	
R583			RK73FB2A104J	100K	
R585,586			RK73FB2A153J	15K	
R587,588			RK73FB2A303J	30K	
R589,590			RK73FB2A101J	100	
R591,592			RK73FB2A392J	3.9K	
R608			RK73FB2A622J	6.2K	
R609			RK73FB2A123J	12K	
R610			RK73FB2A163J	16K	
R611			RK73FB2A303J	30K	
R612,613			RK73FB2A163J	16K	
R614			RK73FB2A153J	15K	
R616			RK73FB2A101J	100	
R617,618			RK73FB2A132J	1.3K	
R619,620			RK73FB2A104J	100K	
R621,622			RK73FB2A182J	1.8K	
R623,624			RK73FB2A824J	820K	
R625,626			RK73FB2A123J	12K	
R627,628			RK73FB2A104J	100K	
R629,630			RK73FB2A272J	2.7K	
R631,632			RK73FB2A824J	820K	
R633			RK73FB2A153J	15K	
R634			RK73FB2A123J	12K	
R635,636			RK73FB2A104J	100K	
R637			RK73FB2A162J	1.6K	
R638			RK73FB2A272J	2.7K	
R639,640			RK73FB2A824J	820K	
R641			RK73FB2A361J	360	
R642,643			RK73FB2A102J	1.0K	
R644			RK73FB2A361J	360	
R645			RK73FB2A102J	1.0K	
R646			RK73FB2A681J	680	
R649-654			RK73FB2A103J	10K	
R660-668			RK73FB2A102J	1.0K	
R677,678			RK73FB2A224J	220K	
R701-704			RK73FB2A102J	1.0K	
R710,711			RK73FB2A103J	10K	
R712			RK73FB2A102J	1.0K	
R713			RK73FB2A103J	10K	

* New Parts
Parts without **Parts No.** are not supplied.
Les articles non mentionnés dans le **Parts No.** ne sont pas fournis.
Teile ohne **Parts No.** werden nicht geliefert.

29

Ref. No	Add-ress	New Parts	Parts No.	Description	Re-marks
R317			RK73FB2A101J	100	MIXC
R319			RK73FB2A102J	1.0K	MIXC
R321			RK73FB2A103J	10K	MIXC
R322			RK73FB2A223J	22K	MIXC
R323-325			RK73FB2A101J	100	MIXC
R326			RK73FB2A182J	1.8K	MIXC
R327,328			RK73FB2A103J	10K	MIXC
R329			RK73FB2A472J	4.7K	MIXC
R330			RK73FB2A102J	1.0K	MIXC
R331			RK73FB2A104J	100K	MIXC
R332,333			RK73FB2A224J	220K	MIXC
R334,335			RK73FB2A103J	10K	MIXC
R336			RK73FB2A121J	120	MIXC
R337,338			RK73FB2A472J	4.7K	MIXC
R339-341			RK73FB2A104J	100K	MIXC
R342			RK73FB2A472J	4.7K	MIXC
R343			RK73FB2A123J	12K	MIXC
R344			RK73FB2A391J	390	MIXC
R345			RK73FB2A101J	100	MIXC
R346,347			RK73FB2A102J	1.0K	MIXC
R348			RK73FB2A132J	1.3K	MIXC
R349,350			RK73FB2A332J	3.3K	MIXC
R351			RK73FB2A473J	47K	ET
R352,353			RK73FB2A223J	22K	ET
R354			RK73FB2A222J	2.2K	ET
R355-368			RK73FB2A104J	100K	
R451			RK73FB2A472J	4.7K	CET
R452			RK73FB2A104J	100K	CET
R453			RK73FB2A103J	10K	CET
R454			RK73FB2A102J	1.0K	CET
R456			RK73FB2A104J	100K	CET
R457			RK73FB2A102J	1.0K	CET
R458			RK73FB2A472J	4.7K	CET
R460-462			RK73FB2A103J	10K	CET
R463,464			RK73FB2A472J	4.7K	CET
R470			RK73FB2A101J	100	CET
R471			RK73FB2A102J	1.0K	CET
R482,483			RK73FB2A222J	2.2K	CET
R484,485			RK73FB2A103J	10K	CET
R486			RK73FB2A104J	100K	CET
R487-490			RK73FB2A101J	100	
R491-497			RK73FB2A471J	470	
R501,502			RK73FB2A104J	100K	
R503-506			RK73FB2A162J	1.6K	
R507			RK73FB2A472J	4.7K	
R511,512			RK73FB2A101J	100	
R513,514			RK73FB2A104J	100K	
R515-518			RK73FB2A162J	1.6K	
R521,522			RK73FB2A513J	51K	
R523,524			RK73FB2A392J	3.9K	
R525,526			RK73FB2A472J	4.7K	
R527,528			RK73FB2A104J	100K	
R529-532			RK73FB2A162J	1.6K	
R535,536			RK73FB2A513J	51K	
R537,538			RK73FB2A472J	4.7K	

L : Scandinavia
Y : PX(Far East, Hawaii)
Y : AAFES(Europe)

L : Scandinavia
Y : PX(Far East, Hawaii)
Y : AAFES(Europe)

K : USA
T : Europe
X : Australia

P : Canada
E : Europe
M : Other Areas

R : Mexico
G : Germany

5 : C-V500/V550
7 : C-V700/V750/V770

△ indicates safety critical components.

△ indicates safety critical components.

C-V500/V550/V700/V750/V770

PARTS LIST

* New Parts
Parts without **Parts No.** are not supplied.
Les articles non mentionnés dans le **Parts No.** ne sont pas fournis.
Teile ohne **Parts No.** werden nicht geliefert.

Ref. No	Add-ress	New Parts	Parts No.	Description	Desti-nation	Re-marks
IC4			TA7805S	IC(VOLTAGE REGULATOR/ +5V)		
IC5			DSPF56009FJ81	MOS-IC		
IC6			LH64256CK-70	MEMORY IC		
IC7			TC7WU04FU	MOS-IC		
IC8			TA7805S	IC(VOLTAGE REGULATOR/ +5V)		
IC9			SN761200N	ANALOGUE IC		
IC10			TA7805S	IC(VOLTAGE REGULATOR/ +5V)		
IC11			TC74HCU04AF	IC(HEX INVERTER SMD)		
IC12			TA7805S	IC(VOLTAGE REGULATOR/ +5V)		
IC13			NJM4580ED	ANALOGUE IC		
IC15			CS4226-KQ	MOS-IC		
IC16			TA7805S	IC(VOLTAGE REGULATOR/ +5V)		
IC17			TC7SU04FU	IC(COMS CONVERTOR)		
IC18			PM4007A	MOS-IC		
IC19			HM62256BLFP-8T	MEMORY IC		MIXC
IC20			NJM4565M	IC(OP AMP X2)		MIXC
IC21			TA7805S	IC(VOLTAGE REGULATOR/ +5V)		MIXC
IC22			TA79005S	IC(VOLTAGE REGULATOR/ -5V)		
IC23			SAA6579	ANALOGUE IC		ET
IC24			UPD17215GT-737	MI-COM IC		CET
IC25			RF5S830-0021	MOS-IC		CET
IC26			HM9264BLFP10L	MEMORY IC		
IC50-64			NJM4580ED	ANALOGUE IC		
IC65			NJU7311AM	MOS-IC		
IC66		5	NJU7311AM	MOS-IC		MIX
IC66		7	NJU7311AM	MOS-IC		MIXET
IC67			NJM4580ED	ANALOGUE IC		
IC68			TC9184P	IC(ELECTRO TONE CONTROL)		
IC69			NJM4580ED	ANALOGUE IC		
IC70			NJU7313AM	ANALOGUE IC		
IC71-73			NJM4580ED	ANALOGUE IC		
IC74-76			LC7536R	ANALOGUE IC		CET
IC77			NJM2100M	IC(OP AMPLIFIER)		
Q1			2SC4081(R,S)	TRANSISTOR		KPYET
Q1			2SC4116(Y,GR)	TRANSISTOR		
Q1			2SD1819A(Q,R)	TRANSISTOR		MIXC
Q11,12			2SC4081(R,S)	TRANSISTOR		MIXC
Q11,12			2SD1819A(Q,R)	TRANSISTOR		MIXC
Q13			2SC4215(Y)	TRANSISTOR		MIXC
Q14			2SA1577(Q,R)	TRANSISTOR		MIXC
Q15,16			2SC4215(Y)	TRANSISTOR		MIXC
Q17			2SA1577(Q,R)	TRANSISTOR		MIXC
Q31-36			2SC2878(B)	TRANSISTOR		
Q106			2SA1577(Q,R)	TRANSISTOR		CET
Q107			2SA1576A(R,S)	TRANSISTOR		
Q107			2SA1586(Y,GR)	TRANSISTOR		ET
Q107			2SB1218A(Q,R)	TRANSISTOR		C
Q108			2SC4081(R,S)	TRANSISTOR		CET
Q108			2SC4116(Y,GR)	TRANSISTOR		ET
Q108			2SD1819A(Q,R)	TRANSISTOR		C
Q109,110			2SC3115(D27,28)	TRANSISTOR		
Q111-114			2SC2878(B)	TRANSISTOR		
Q115			2SA1577(Q,R)	TRANSISTOR		
A1			W02-2609-05	OSCILLATING MODULE		MIXC

* New Parts
Parts without **Parts No.** are not supplied.
Les articles non mentionnés dans le **Parts No.** ne sont pas fournis.
Teile ohne **Parts No.** werden nicht geliefert.

Ref. No	Add-ress	New Parts	Parts No.	Description	Desti-nation	Re-marks
R714			RK73FB2A223J	CHIP R		
R721-725			RK73FB2A203J	CHIP R	1/10W	
R801,802			RK73FB2A123J	CHIP R	1/10W	
R803,804			RK73FB2A202J	CHIP R	1/10W	
R805,806			RK73FB2A104J	CHIP R	1/10W	
R807,808			RK73FB2A513J	CHIP R	1/10W	
R809,810			RK73FB2A474J	CHIP R	1/10W	
R813,814			RK73FB2A362J	CHIP R	1/10W	
R815,816			RK73FB2A824J	CHIP R	1/10W	
R817,818			RK73FB2A223J	CHIP R	1/10W	
R819,820			RK73FB2A222J	CHIP R	1/10W	
R821,822			RK73FB2A154J	CHIP R	1/10W	
R823,824			RK73FB2A471J	CHIP R	1/10W	
R831-833			RK73FB2A102J	CHIP R	1/10W	
R834,835			RD14NB2E821J	RD	1/4W	
R851,852			RK73FB2A102J	CHIP R	1/10W	
R853,854			RK73FB2A222J	CHIP R	1/10W	
R855,856			RD14NB2E470J	RD	1/4W	
R857,858			RK73FB2A103J	CHIP R	1/10W	
R859,860			RK73FB2A102J	CHIP R	1/10W	
R861,862			RK73FB2A104J	CHIP R	1/10W	
R863,864			RK73FB2A272J	CHIP R	1/10W	
R865,866			RK73FB2A104J	CHIP R	1/10W	
R868,869			RD14NB2E101J	RD	1/4W	
R870			RK73FB2A472J	CHIP R	1/10W	
R871			RK73FB2A103J	CHIP R	1/10W	
R872			RK73FB2A203J	CHIP R	1/10W	
R873			RK73FB2A222J	CHIP R	1/10W	
R875			RK73FB2A472J	CHIP R	1/10W	
R876			RK73FB2A101J	CHIP R	1/10W	
R901-914			RK73FB2A101J	CHIP R	1/10W	
R915,916			RK73FB2A220J	CHIP R	1/10W	
W1			R92-2052-05	CHIP R	1/10W	KPYET
W101-103			R92-2052-05	CHIP R	1/10W	KPYC
W104			R92-0679-05	CHIP R	1/10W	KPYC
D1,2			MA111	DIODE		
D3,4			DA204U	DIODE		
D5			MA111	DIODE		ET
D6,7			U1BC44	DIODE		
D8			MA111	DIODE		
D9			U1BC44	DIODE		
D10			MA111	DIODE		
D11			MA111	DIODE		
D12			MA111	DIODE		
D13-15			MA111	DIODE		
D17,18			DA204U	DIODE		
D19			MA111	DIODE		
D20			UDZ5.1B	ZENER DIODE		
D21,22			MA111	DIODE		
D23			DA204U	DIODE		
D121,122			DA204U	DIODE		
D123,124			UDZ6.2B	ZENER DIODE		
IC1		*	UPD78078GF-070	MI-COM IC		
IC2			S-806D-Z	ANALOGUE IC		
IC3			UPD78016FGC-530	MI-COM IC		

L : Scandinavia
Y : PX(Far East, Hawaii)
Y : AAFES(Europe)

K : USA
T : Europe
X : Australia

P : Canada
E : Europe
M : Other Areas

R : Mexico
G : Germany
M : Other Areas

5 : C-V500/V550
7 : C-V700/V750/V770

Δ indicates safety critical components.

L : Scandinavia
Y : PX(Far East, Hawaii)
Y : AAFES(Europe)

K : USA
T : Europe
X : Australia

P : Canada
E : Europe
M : Other Areas

R : Mexico
G : Germany
M : Other Areas

5 : C-V500/V550
7 : C-V700/V750/V770

Δ indicates safety critical components.

C-V500/V550/V700/V750/V770

PARTS LIST

* New Parts
Parts without **Parts No.** are not supplied.
Les articles non mentionnés dans le **Parts No.** ne sont pas fournis.
Teile ohne **Parts No.** werden nicht geliefert.

24

Ref. No	Add-ress	New Parts	Parts No.	Description	Desti-nation	Re-marks
C145,146			CE04KW1C100M	ELECTRO	MIXET	
C147,148			CE04KW1H2R2M	ELECTRO	MIXET	
C149,150			CC45FSL1H221J	CERAMIC	MIXET	
C151			CK45FB1H391K	CERAMIC	MIXET	
C152			CK45FF1H103Z	CERAMIC	MIXET	
C153,154			CE04KW1C100M	ELECTRO	MIXET	16WV
C155,156			CE04KW1H2R2M	ELECTRO	MIXET	50WV
C157,158			CC45FSL1H221J	CERAMIC	MIXET	J
C159			CK45FB1H391K	CERAMIC	MIXET	K
C160			CK45FF1H103Z	CERAMIC	MIXET	Z
C161,162			CE04KW1C100M	ELECTRO	MIXET	16WV
C163			CC45FSL1H221J	CERAMIC	MIXET	J
C166-170			CC45FSL1H221J	CERAMIC	MIXET	J
C171-174			CC45FSL1H221JM	CERAMIC	MIXET	J
CN1			E40-4245-05	PIN ASSY		
CN14			E40-4908-05	FLAT CABLE CONNECTOR		
CN15			E40-3249-05	PIN ASSY		
CN16			E40-4910-05	FLAT CABLE CONNECTOR		
J1			E03-0148-05	AC OUTLET	KPY	
J1			E03-0149-05	AC OUTLET	MIE	
J1			E03-0310-05	AC OUTLET	T	
J1			E03-0325-05	AC OUTLET	X	
J1			E03-0330-05	AC OUTLET	C	
J2 -4			E63-0047-15	PHONO JACK	MIXC	
J2 -4			E63-0139-15	PHONO JACK	KPYET	
J5			E63-0046-15	PHONO JACK	MIXC	
J5			E63-0136-15	PHONO JACK	KPYET	
J6			E63-1008-05	PHONO JACK	MIXC	
J7			E11-0188-05	MINIATURE PHONE JACK(2P)	KPYET	
J8			E11-0282-05	PHONE JACK	MIXC	
J9			E58-0018-05	RECTANGULAR RECEPTACLE		
W1			E31-0001-00	JUMPER WIRE		
W1			E31-0001-00	JUMPER WIRE		
W26			E31-0001-00	JUMPER WIRE		
W28			E31-0001-00	JUMPER WIRE		
W82			E31-0001-00	JUMPER WIRE		
W84,85			E31-0001-00	JUMPER WIRE		
W87,88			E31-0001-00	JUMPER WIRE		
F1			F05-2525-05	FUSE (SEMKO)	E	
F3			F06-1022-05	FUSE (SEMKO)	YMX	
F3			F06-1022-05	FUSE (SEMKO)	KP	
F3			F50-0070-05	FUSE(5X20)	YMX	
F4,5			F05-5016-05	FUSE (SEMKO)	KP	
F4,5			F05-5016-05	FUSE (SEMKO)	KP	
F4,5			F50-0062-05	FUSE(5X20)	YMX	
CN2,3			J13-0075-05	FUSE CLIP	E	
CN6-11			J13-0075-05	FUSE CLIP	E	
E3			J19-3215-05	LEAD HOLDER	MIXTE	
E5			J11-0808-05	WIRE CLAMPER	MIXTE	
R1			R92-1769-05	CARBON	KP	
R7,8			RD14NB2E1R0J	RD		1/2W
R12			RD14NB2E180J	RD		1/4W
R14			RD14NB2E220J	RD		1/4W
R19,20			RD14NB2E221J	RD		1/4W

L : Scandinavia
Y : PX(Far East, Hawaii)
Y : AAFES(Europe)
K : USA
T : Europe
X : Australia
P : Canada
E : Europe
M : Other Areas
R : Mexico
G : Germany
5 : C-V500/V550
7 : C-V700/V750/V770
⚠ indicates safety critical components.

* New Parts
Parts without **Parts No.** are not supplied.
Les articles non mentionnés dans le **Parts No.** ne sont pas fournis.
Teile ohne **Parts No.** werden nicht geliefert.

23

Ref. No	Add-ress	New Parts	Parts No.	Description	Desti-nation	Re-marks
CONTROL (X11-3720-10/X11-3780-20)						
C1			C91-1488-05	MF		
C2			CK45FF1H223Z	CERAMIC		250VAC
C5			CE04KW1E222M	ELECTRO		Z
C6			CE04KW1V100M	ELECTRO		25WV
C7			CE04KW1C101M	ELECTRO		35WV
C8			CK45FF1H103Z	CERAMIC		16WV
C9			CK45FF1H223Z	CERAMIC		Z
C12			CE04KW1E222M	ELECTRO		Z
C13			CE04KW1C470M	ELECTRO		25WV
C14			CE04KW1C101M	ELECTRO		16WV
C15			CK45FF1H103Z	CERAMIC		Z
C16			CK45FF1H223Z	CERAMIC		Z
C19			CE04KW1V102M	ELECTRO		35WV
C20			CE04KW1V102M	ELECTRO		35WV
C20			CE04KW1V471M	ELECTRO		35WV
C21			CK45FB1H102K	CERAMIC		K
C22			CE04KW1V101M	ELECTRO		35WV
C23			CE04KW1V470M	ELECTRO		35WV
C24			CE04KW1V100M	ELECTRO		35WV
C25			CK45FB1H471K	CERAMIC		K
C26			CK45FB1H102K	CERAMIC		K
C27,28			CE04DW1E331M	ELECTRO		25WV
C29			CF92FV1H104J	MF-C		J
C30			CE04KW1V220M	ELECTRO		35WV
C31			CE04KW1J471M	ELECTRO		63WV
C32			CE04KW1H3R3M	ELECTRO		50WV
C33			CK45FF1H103Z	CERAMIC		Z
C34,35			CC45FSL1H221J	CERAMIC		J
C36-45			CC45FSL1H101J	CERAMIC		J
C46			CE04KW1E470M	ELECTRO		25WV
C47,48			CK45FB1H102KMU	CERAMIC		K
C47,48			CK45FB1H102KMU	CERAMIC		K
C47,48			CK45FF1H103Z	CERAMIC		Z
C50			CE04KW1E470M	ELECTRO		25WV
C51			CC45FSL1H101J	CERAMIC		J
C52-54			CK45FF1H223Z	CERAMIC		Z
C101-104			CC45FSL1H101J	CERAMIC		J
C105,106			CC45FSL1H221J	CERAMIC		J
C107,108			CC45FSL1H101J	CERAMIC		J
C109,110			CC45FSL1H221J	CERAMIC		J
C111-114			CC45FSL1H101J	CERAMIC		J
C115,116			CC45FSL1H221J	CERAMIC		J
C117-122			CC45FSL1H101J	CERAMIC		J
C123-126			CC45FSL1H101JM	CERAMIC		J
C127-130			CK45FF1H103Z	CERAMIC		Z
C131,132			CE04KW1H2R2M	ELECTRO		50WV
C133,134			CC45FSL1H221J	CERAMIC		J
C135			CK45FF1H103Z	CERAMIC		Z
C136			CK45FB1H391K	CERAMIC		K
C137,138			CE04KW1C220M	ELECTRO		16WV
C139,140			CE04KW1H2R2M	ELECTRO		50WV
C141,142			CC45FSL1H221J	CERAMIC		J
C143			CK45FF1H103Z	CERAMIC		Z
C144			CK45FB1H391K	CERAMIC		K

L : Scandinavia
Y : PX(Far East, Hawaii)
Y : AAFES(Europe)
K : USA
T : Europe
X : Australia
P : Canada
E : Europe
M : Other Areas
R : Mexico
G : Germany
5 : C-V500/V550
7 : C-V700/V750/V770
⚠ indicates safety critical components.

PARTS LIST

* New Parts

Parts without **Parts No.** are not supplied.
Les articles non mentionnés dans le **Parts No.** ne sont pas fournis.
Teile ohne **Parts No.** werden nicht geliefert.

25

Ref. No	Add-ress	New Parts	Parts No.	Description	Desti-nation	Re-marks
R21	7		RD14NB2E331J	330	J	1/4W
R31	7		RD14BB2C103J	10K	J	1/6W
R32	7		RD14BB2C393J	39K	J	1/6W
R44	7		RD14BB2C122J	1.2K	J	1/6W
R49 -52			RS14KB3D391J	390	J	2W
				FL-PROOF RS		KPXTEC
R49 -53			RS14KB3D471J	470	J	2W
R55 -57			RS14KB3D471J	470	J	2W
R55 -56			RS14KB3D391J	390	J	2W
R57			RS14KB3D391J	390	J	2W
R58			RS14KB3D471J	470	J	2W
				FL-PROOF RS		YMI
				FL-PROOF RS		YMI
				FL-PROOF RS		KPXTEC
				FL-PROOF RS		MIXC
				FL-PROOF RS		MI
K1 .2			S76-0060-05	MAGNETIC RELAY		YMI
S1			S62-0001-05	SLIDE SWITCH		
D2			HZS4.7N(B)	ZENER DIODE	KPYET	
D2			MTZJ4.7(B)	ZENER DIODE	MIXC	
D2			RD4.7ES(B)	ZENER DIODE	KPYET	
D2			UZ-4.7BSB	ZENER DIODE	MIXC	
D3			D3SBA20F03	DIODE		
D3			RBV-402LFA	DIODE	KPYET	
D4			HZS6.2N(B2)	ZENER DIODE	MIXC	
D4			MTZJ6.2(B)	ZENER DIODE	KPYET	
D4			RD6.2ES(B2)	ZENER DIODE	MIXC	
D4			UZ-6.2BSB	ZENER DIODE	KPYET	
D4				ZENER DIODE	MIXC	
D6			HZS6.2N(B2)	ZENER DIODE	KPYET	
D6			MTZJ6.2(B)	ZENER DIODE	MIXC	
D6			RD6.2ES(B2)	ZENER DIODE	KPYET	
D6			UZ-6.2BSB	ZENER DIODE	MIXC	
D7			HZS8.2N(B2)	ZENER DIODE	KPYET	
D7			MTZJ8.2(B)	ZENER DIODE	MIXC	
D7			RD8.2ES(B2)	ZENER DIODE	KPYET	
D7			UZ-8.2BSB	ZENER DIODE	MIXC	
D8			S5688B	DIODE		
D8			1SR139-400	DIODE		
D9 ,10			HZS16N(B2)	ZENER DIODE	KPYET	
D9 ,10			MTZJ16(B)	ZENER DIODE	MIXC	
D9 ,10			RD16ES(B2)	ZENER DIODE	KPYET	
D9 ,10			UZ-16BSB	ZENER DIODE	MIXC	
D11			HZS5.1N(B2)	ZENER DIODE	KPYET	
D11			MTZJ5.1(B)	ZENER DIODE	MIXC	
D11			RD5.1ES(B2)	ZENER DIODE	KPYET	
D11			UZ-5.1BSB	ZENER DIODE	MIXC	
D12 -14			HSS104	DIODE		
D12 -14			1SS133	DIODE		
D15			HZS3.3N(B2)	ZENER DIODE	KPYET	
D15			MTZJ3.3(B)	ZENER DIODE	MIXC	
D15			RD3.3ES(B2)	ZENER DIODE	KPYET	
D15			UZ-3.3BSB	ZENER DIODE	MIXC	
D16			HSS104	DIODE		
D16			1SS133	DIODE		
D17			HSS104	DIODE		
D17			1SS133	DIODE		
D18			HSS104	DIODE		
D18			1SS133	DIODE		
D19			HZS6.8N(B2)	ZENER DIODE	KPYET	

L : Scandinavia
Y : PX(Far East, Hawaii)
Y : AAFES(Europe)

K : USA
T : Europe
X : Australia

P : Canada
E : Europe
M : Other Areas

R : Mexico
G : Germany
M : Other Areas

5 : C-V500/V550
7 : C-V700/V750/V770

Δ indicates safety critical components.

* New Parts

Parts without **Parts No.** are not supplied.
Les articles non mentionnés dans le **Parts No.** ne sont pas fournis.
Teile ohne **Parts No.** werden nicht geliefert.

26

Ref. No	Add-ress	New Parts	Parts No.	Description	Desti-nation	Re-marks
D19			MTZJ6.8(B)	ZENER DIODE	MIXC	
D19			RD6.8ES(B2)	ZENER DIODE	KPYET	
D19			UZ-6.8BSB	ZENER DIODE	MIXC	
D20 -22			HSS104	DIODE		
D20 -22			1SS133	DIODE		
D23	7		HZS8.2N(B2)	ZENER DIODE	KPYET	
D23	7		MTZJ8.2(B)	ZENER DIODE	MIXC	
D23	7		RD8.2ES(B2)	ZENER DIODE	KPYET	
D23	7		UZ-8.2BSB	ZENER DIODE	MIXC	
D24 -31			S5688B	DIODE		
D24 -31			1SR139-400	DIODE		
IC1			NJU7313AL	ANALOGUE IC		
IC2			NJU7312AL	ANALOGUE IC		
IC3 ,4			NJM4580L-D	ANALOGUE IC		
IC5 ,6			NJM4580L-D	ANALOGUE IC		
IC7	7		TA8409S	MOS-IC	MIXET	
Q1			2SC1740S(Q,R)	TRANSISTOR	MIXC	
Q1			2SC2458(Y,GR)	TRANSISTOR	KPYET	
Q1			2SC2785(F,E)	TRANSISTOR	MIXC	
Q1			2SC3311A(Q,R)	TRANSISTOR	KPYET	
Q2 ,3			2SD2012	TRANSISTOR	MIXC	
Q2 ,3			2SD2061	TRANSISTOR	KPYET	
Q4			2SC1740S(Q,R)	TRANSISTOR	MIXC	
Q4			2SC2458(Y,GR)	TRANSISTOR	KPYET	
Q4			2SC2785(F,E)	TRANSISTOR	MIXC	
Q4			2SC3311A(Q,R)	TRANSISTOR	KPYET	
Q5			2SD2012	TRANSISTOR	MIXC	
Q5			2SD2061	TRANSISTOR	KPYET	
Q6	7		2SD2137(P)	TRANSISTOR	MIXC	
Q6	7		2SD2525	TRANSISTOR	KPYET	
Q7 ,8			2SD2137(P)	TRANSISTOR	MIXC	
Q7 ,8			2SD2525	TRANSISTOR	KPYET	
Q9			2SC1740S(Q,R)	TRANSISTOR	MIXC	
Q9			2SC2458(Y,GR)	TRANSISTOR	KPYET	
Q9			2SC2785(F,E)	TRANSISTOR	MIXC	
Q9			2SC3311A(Q,R)	TRANSISTOR	KPYET	
Q10			2SA1048(Y,GR)	TRANSISTOR	KPYET	
Q10			2SA1175(F,E)	TRANSISTOR	MIXC	
Q10			2SA1309A(Q,R)	TRANSISTOR	KPYET	
Q10			2SA933AS(Q,R)	TRANSISTOR	MIXC	
Q11			2SC1740S(Q,R)	TRANSISTOR	MIXC	
Q11			2SC2458(Y,GR)	TRANSISTOR	KPYET	
Q11			2SC2785(F,E)	TRANSISTOR	MIXC	
Q11			2SC3311A(Q,R)	TRANSISTOR	KPYET	
Q12			2SA1175(F,E)	TRANSISTOR	MIXC	
Q12			2SA1309A(Q,R)	TRANSISTOR	KPYET	
Q12			2SA933AS(Q,R)	TRANSISTOR	MIXC	
Q13			2SA1535A	TRANSISTOR	KPYET	
Q14			2SC3940A(R,S)	TRANSISTOR	MIXC	
Q15			2SC2003(L,K)	TRANSISTOR	KPYET	
DISPLAY (X14-4570-10/X14-4580-20)						
D11 ,12			B30-2519-05	LED(INFRARED,D=5.)		
D13			B30-2493-05	LED(RED)		

L : Scandinavia
Y : PX(Far East, Hawaii)
Y : AAFES(Europe)

K : USA
T : Europe
X : Australia

P : Canada
E : Europe
M : Other Areas

R : Mexico
G : Germany
M : Other Areas

5 : C-V500/V550
7 : C-V700/V750/V770

Δ indicates safety critical components.

PARTS LIST

* New Parts
Parts without **Parts No.** are not supplied.
Les articles non mentionnés dans le **Parts No.** ne sont pas fournis.
Teile ohne **Parts No.** werden nicht geliefert.

23

Ref. No	Add-ress	New Parts	Parts No.	Description	Desti-nation	Re-marks
S30			T99-0559-05	ROTARY ENCODER		
D15-23			HSS104A	DIODE		
D15-23			1SS131	DIODE		
ED1			11-MT-114GK	INDICATOR TUBE		
IC1			UPD16311	MOS-IC		
Q1			2SC3246	TRANSISTOR		
Q2			2SC2003(L,K)	TRANSISTOR		
Q3 4			2SA1048(Y,GR)	TRANSISTOR	ET	
Q3 4			2SA1175(F,E)	TRANSISTOR	C	
Q3 4			2SA1309A(Q,R)	TRANSISTOR	ET	
Q3 4			2SA933AS(Q,R)	TRANSISTOR	C	
Q5			2SC1740S(Q,R)	TRANSISTOR	MIX	
Q5			2SC2458(Y,GR)	TRANSISTOR	ET	
Q5			2SC2785(F,E)	TRANSISTOR	MIX	
Q5			2SC3311A(Q,R)	TRANSISTOR	ET	
Q32			2SC3246	TRANSISTOR		
A1			W02-2598-05	OPTIC RECEIVING MODUL		

L : Scandinavia
Y : PX(Far East, Hawaii)
Y : AAFES(Europe)

K : USA
T : Europe
X : Australia

P : Canada
E : Europe
M : Other Areas

R : Mexico
G : Germany

5 : C-V500/V550
7 : C-V700/V750/V770

⚠ indicates safety critical components.

* New Parts
Parts without **Parts No.** are not supplied.
Les articles non mentionnés dans le **Parts No.** ne sont pas fournis.
Teile ohne **Parts No.** werden nicht geliefert.

27

Ref. No	Add-ress	New Parts	Parts No.	Description	Desti-nation	Re-marks
D24 ,25			B30-2519-05	LED(INFRARED,D=5,)		
C1 ,2			CE04KW1A101M	ELECTRO		
C3			C90-3222-05	100UF	10WV	
C4			C91-0769-05	100UF	10WV	
C6 -13			C91-0745-05	0.010UF	K	
C14			CK45FF1H103ZMU	100PF	K	
				0.010UF	Z	
CN2			E40-4724-05	FLAT CABLE CONNECTOR		
CN4			E40-4807-05	PIN ASSY		
			J19-5793-03	HOLDER		
R1			RD14NB2E470J	RD	47 J 1/4W	
S1 -15			S70-0031-05	TACT SWITCH		
S30			T99-0559-05	ROTARY ENCODER		
D15 -18			HSS104A	DIODE		
D15 -18			1SS131	DIODE		
ED1			11-MT-114GK	INDICATOR TUBE		
IC1			UPD16311	MOS-IC		
Q1			2SC3246	TRANSISTOR		
Q5			2SC1740S(Q,R)	TRANSISTOR		
Q5			2SC2458(Y,GR)	TRANSISTOR		
Q5			2SC2785(F,E)	TRANSISTOR		
Q5			2SC3311A(Q,R)	TRANSISTOR		
Q32			2SC3246	TRANSISTOR		
A1			W02-2598-05	OPTIC RECEIVING MODULE		
DISPLAY (X14-4592-70/X14-4600-20)						
D1 -10			B30-2515-05	LED(ORG-600NM,3)		
D11 ,12			B30-2519-05	LED(INFRARED,D=5,)		
D13			B30-2493-05	LED(RED)		
D14			B30-2507-05	LED(RED/GRN,D=5)		
D24 ,25			B30-2519-05	LED(INFRARED,D=5,)		
C1 ,2			CE04KW1A101M	ELECTRO	100UF	10WV
C3			C90-3222-05	ELECTRO	100UF	10WV
C4			C91-0769-05	CERAMIC	0.010UF	K
C5			CK45FF1H103Z	CERAMIC	0.010UF	Z
C6 -8			C91-0745-05	CERAMIC	100PF	K
C10 -13			C91-0745-05	CERAMIC	100PF	K
CN1			E40-4946-05	FLAT CABLE CONNECTOR		
CN2			E40-4948-05	FLAT CABLE CONNECTOR		
CN4			E40-4944-05	FLAT CABLE CONNECTOR		
CN5			E40-4609-05	PIN ASSY		
CN6			E40-4293-05	FLAT CABLE CONNECTOR		
			J19-5793-03	HOLDER		
R1			RD14NB2E470J	RD	47 J 1/4W	
S1 -16			S70-0031-05	TACT SWITCH		
S17			S70-0031-05	TACT SWITCH		
S18 -20			S70-0031-05	TACT SWITCH		
S21 -24			S70-0031-05	TACT SWITCH		
S25			S70-0031-05	TACT SWITCH		
S26			S70-0031-05	TACT SWITCH		

L : Scandinavia
Y : PX(Far East, Hawaii)
Y : AAFES(Europe)

K : USA
T : Europe
X : Australia

P : Canada
E : Europe
M : Other Areas

R : Mexico
G : Germany

5 : C-V500/V550
7 : C-V700/V750/V770

⚠ indicates safety critical components.

SPECIFICATIONS

For C-V770**Audio section**

Total harmonic distortion (1 KHz, 1V)	0.01 %
Signal to noise ratio (IHF66)	
CD	98 dB
Input sensitivity / Impedance	
CD	200 mV / 47k Ω
Tone controls	
BASS	\pm 8 dB (at 100 Hz)
TREBLE	\pm 8 dB (at 10 KHz)
Output level / impedance	
TAPE REC	200 mV / 1 k Ω

Video section

VIDEO inputs / outputs	
(composite)	1 Vp-p/75 Ω

Digital section

Sampling frequency	32 KHz,44.1 KHz,48 KHz
Digital input	
(coaxial)	0.5 Vp-p/75 Ω
Digital RF input	
(coaxial)	50 mVp-p~200 mVp-p

FM Tuner section

Tuning frequency range	87.5 MHz~108 MHz
Usable sensitivity	
MONO	1.6 μ V (at 75 Ω) / 15.2 dBf (75 KHz dev., SINAD. 30 dB)
50dB quieting sensitivity	
STEREO	31.6 μ V (at 75 Ω) / 41.2 dBf (75 KHz dev.)
Signal to noise ratio (1 KHz, 75 KHz dev.)	
MONO	75 dB (65.2 dBf input)
STEREO	68 dB (65.2 dBf input)
Selectivity (IHF \pm 400 KHz)	50 dB
Stereo separation (1 KHz)	40 dB
Frequency response	30 Hz~15 KHz, + 0.5 dB, - 3.0 dB

AM Tuner section

Tuning frequency range	(9 KHz) 531 KHz ~ 1,602 KHz (10 KHz) 530 KHz ~ 1,610 KHz
Usable sensitivity	
(30% mod., S/N 20 dB)	16 μ V / (600 μ V / m)
Signal to noise ratio	
(at 30% mod. 1mV input)	48 dB

General

Power consumption	35 W
AC outlet	
UN SWITCHED	2: (Total 100 W max)
Dimensions	W : 400 mm H : 105 mm D : 382 mm
Weight (net)	5.2 kg

For C-V700**Audio section**

Total harmonic distortion (1 KHz, 1V)	0.01 %
Signal to noise ratio (IHF66)	
CD	98 dB
Input sensitivity / Impedance	
CD	200 mV / 47k Ω
Tone controls	
BASS	\pm 8 dB (at 100 Hz)
TREBLE	\pm 8 dB (at 10 KHz)
Output level / impedance	
TAPE REC	200 mV / 1 k Ω

Video section

VIDEO inputs / outputs	
(composite)	1 Vp-p/75 Ω

Digital section

Sampling frequency	32KHz,44.1 KHz,48 KHz
Digital input	
(coaxial)	0.5 Vp-p/75 Ω
Digital RF input	
(coaxial)	50mVp-p~200 mVp-p

FM Tuner section

Tuning frequency range	87.5 MHz~108 MHz
Usable sensitivity	
MONO	1.6 μ V (at 75 Ω) / 15.2 dBf (75 KHz dev., SINAD. 30 dB)
50dB quieting sensitivity	
STEREO	31.6 μ V (at 75 Ω) / 41.2 dBf (75 KHz dev.)
Signal to noise ratio (1 KHz, 75 KHz dev.)	
MONO	75 dB (65.2 dBf input)
STEREO	68 dB (65.2 dBf input)
Selectivity (IHF \pm 400 KHz)	50 dB
Stereo separation (1 KHz)	40 dB
Frequency response	30 Hz~15 KHz, + 0.5 dB, - 3.0 dB

AM Tuner section

Tuning frequency range	(9 KHz) 531 KHz ~ 1,602 KHz (10 KHz) 530 KHz ~ 1,610 KHz
Usable sensitivity	
(30% mod., S/N 20 dB)	16 μ V / (600 μ V / m)
Signal to noise ratio	
(at 30% mod. 1mV input)	48 dB

General

Power consumption	35 W
AC outlet	
UN SWITCHED	2: (Total 100 W max) (Australia 1:(100 W max))
Dimensions	W : 400 mm H : 105 mm D : 382 mm
Weight (net)	5.2 kg

For C-V550**Audio section**

Total harmonic distortion (1 KHz, 1V)	0.01 %
Signal to noise ratio (IHF 66)	
CD	98 dB
Input sensitivity / Impedance	
CD	200 mV / 47k Ω
Tone controls	
BASS	\pm 8 dB (at 100 Hz)
TREBLE	\pm 8 dB (at 10 KHz)
Output level / impedance	
TAPE REC	200 mV / 1 k Ω

Video section

VIDEO inputs / outputs	
(composite)	1 Vp-p/75 Ω

Digital section

Sampling frequency	32 KHz,44.1 KHz,48 KHz
Digital input	
(coaxial)	0.5 Vp-p/75 Ω
Digital RF input	
(coaxial)	50 mVp-p~200 mVp-p

FM Tuner section

Tuning frequency range	87.5 MHz~108 MHz
Usable sensitivity	
MONO	1.6 μ V (at 75 Ω) / 15.2 dBf (75 KHz dev., SINAD. 30 dB)
50dB quieting sensitivity	
STEREO	31.6 μ V (at 75 Ω) / 41.2 dBf (75 KHz dev.)
Signal to noise ratio (1 KHz, 75 KHz dev.)	
MONO	75 dB (65.2 dBf input)
STEREO	68 dB (65.2 dBf input)
Selectivity (IHF \pm 400 KHz)	50 dB
Stereo separation (1 KHz)	40 dB
Frequency response	30 Hz~15 KHz, + 0.5 dB, - 3.0 dB

AM Tuner section

Tuning frequency range	(9 KHz) 531 KHz ~ 1,602 KHz (10 KHz) 530 KHz ~ 1,610 KHz
Usable sensitivity	
(30% mod., S/N 20 dB)	16 μ V / (600 μ V / m)
Signal to noise ratio	
(at 30% mod. 1mV input)	48 dB

General

Power consumption	35 W
AC outlet	
UN SWITCHED	2: (Total 100 W max) (Australia 1:(100 W max))
Dimensions	W : 400 mm H : 105 mm D : 382 mm
Weight (net)	4.4 kg

SPECIFICATIONS



1. KENWOOD follows a policy of continuous advancements in development. For this reason specifications may be changed without notice.
2. Full performance may not be exhibited in extremely cold locations (below 0 deg. C).



1. KENWOOD follows a policy of continuous advancements in development. For this reason specifications may be changed without notice.
2. Full performance may not be exhibited in extremely cold locations (below 0 deg. C).